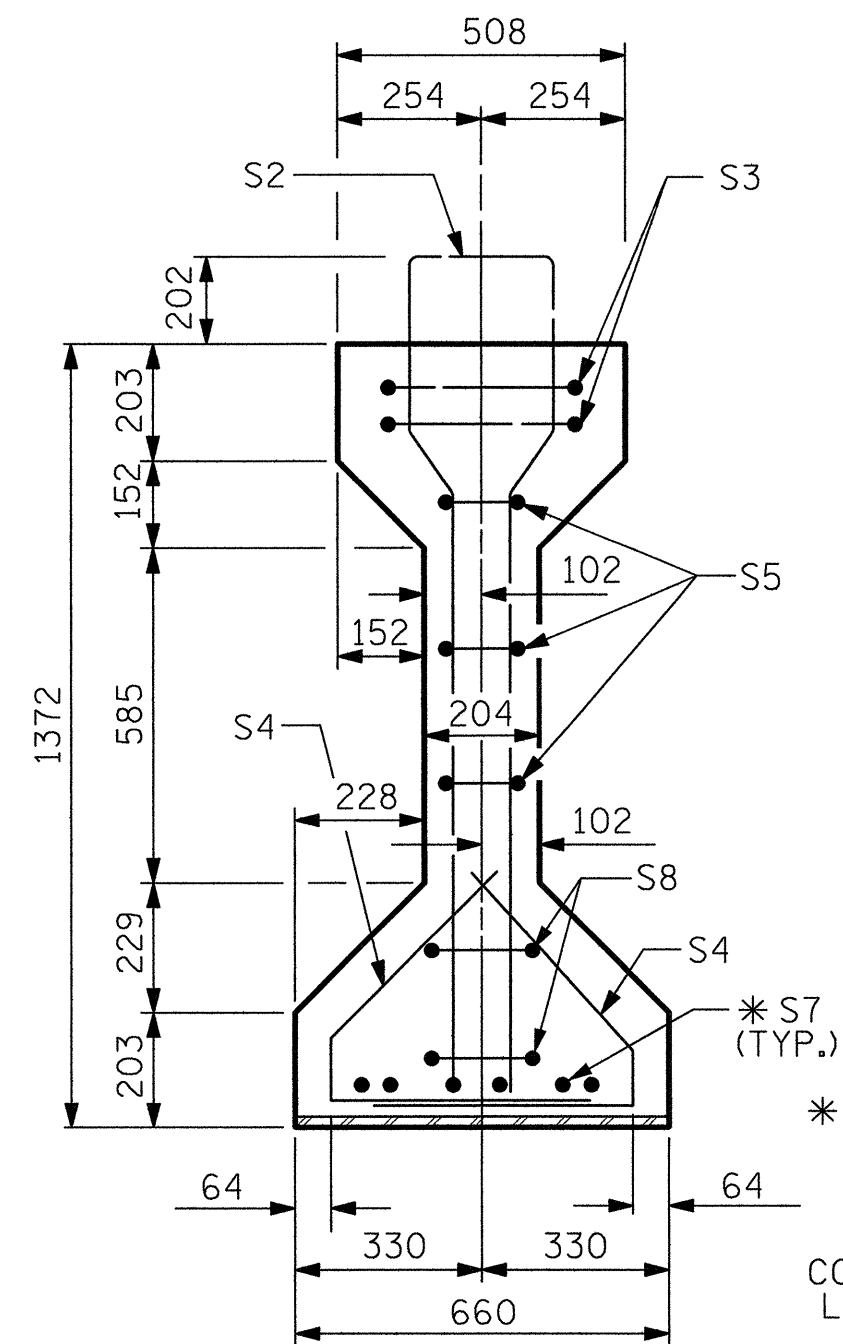
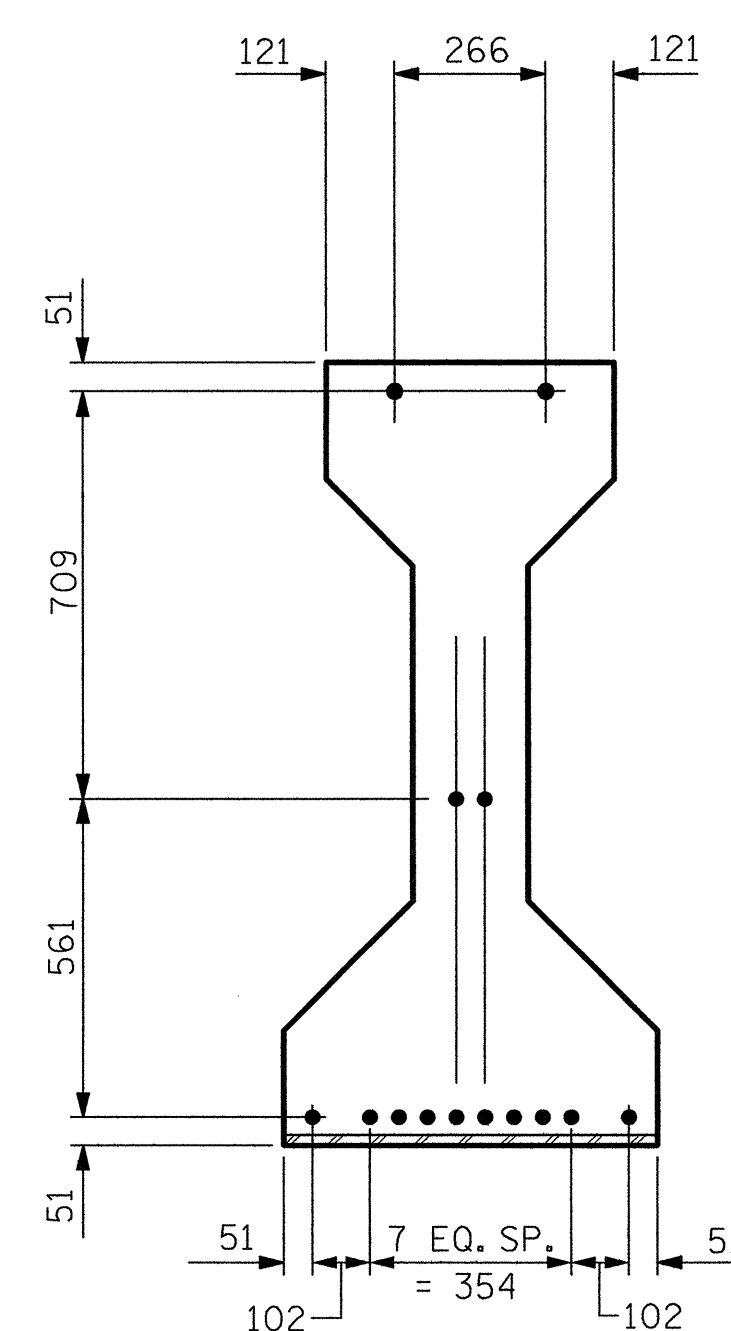


SECTION A-A

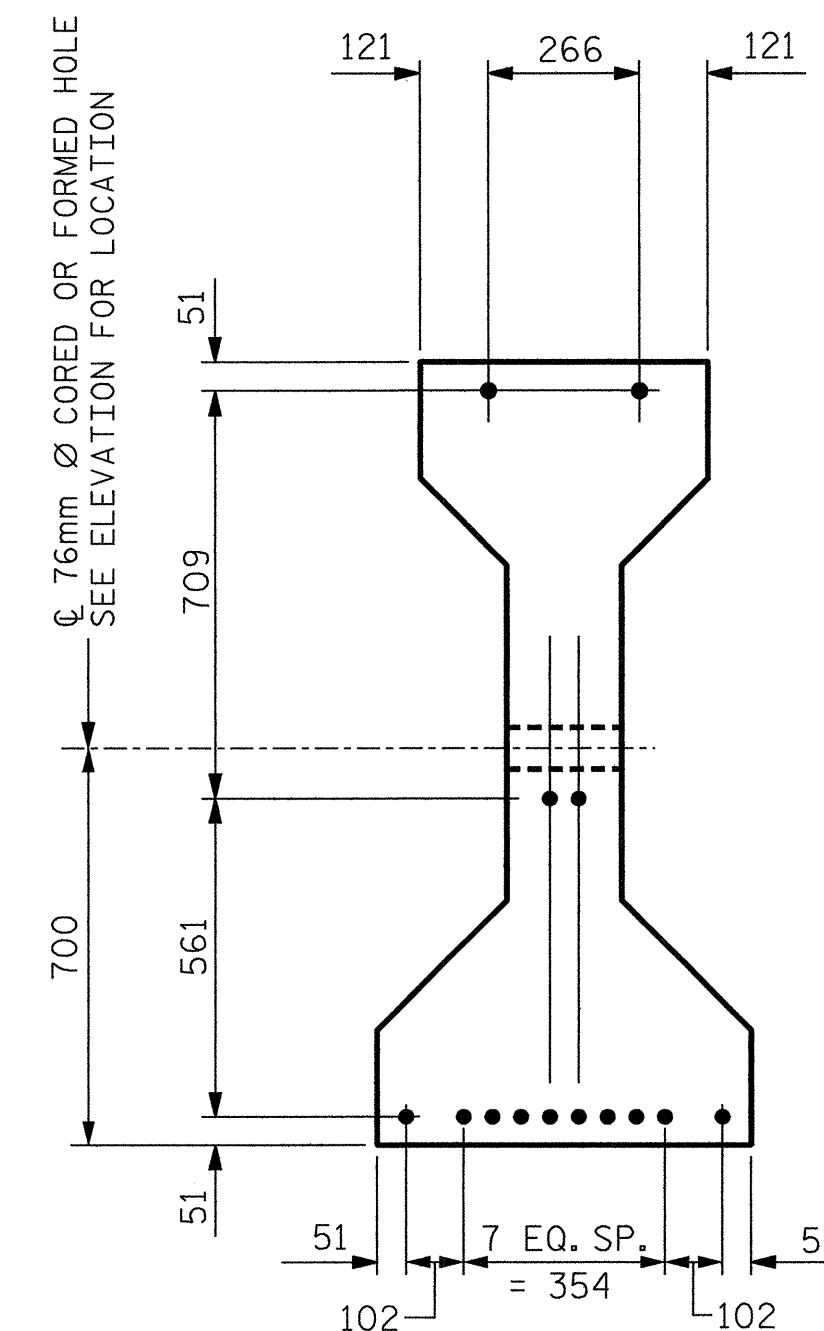


SECTION B-B

\* FOR S7 BARS, SEE  
DETAIL 'A' OF  
PRESTRESSED  
CONCRETE GIRDER  
CONTINUOUS FOR LIVE  
LOAD DETAILS SHEET



AT END OF GIRDER



AT C OF GIRDER

12.70mm Ø LOW RELAXATION STRAND LAYOUT

12.7mm Ø L.R. GRADE 270 STRANDS

AREA (mm <sup>2</sup> )	ULTIMATE STRENGTH (kN PER STRAND)	APPLIED PRESTRESS (kN PER STRAND)
98.71	183.7	137.8

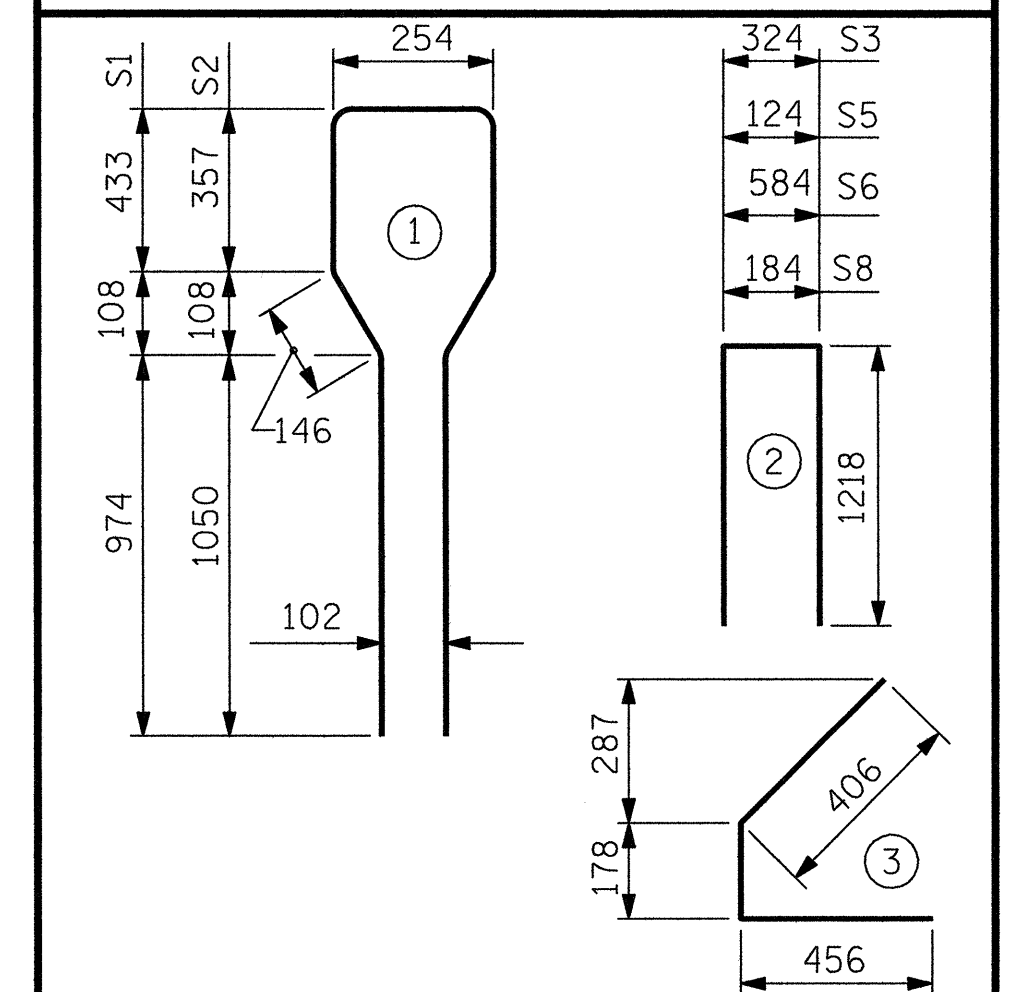
REINFORCING STEEL - ONE GIRDER

BAR	NUMBER	SIZE	TYPE	LENGTH	WEIGHT
S1	47	#13	1	3360	157
S2	12	#19	1	3360	90
S3	4	#13	2	2760	11
S4	64	#13	3	1040	66
S5	6	#13	2	2560	15
S6	1	#13	2	3020	3
*S7	6	#16	STR	1120	10
S8	4	#13	2	2620	10
S9	1	#10	STR	560	1

\* NOTE: S7 BARS SHALL BE BENT BEFORE SHIPMENT, HEAT BENDING SHALL NOT BE ALLOWED

BAR TYPES

ALL BAR DIMENSIONS ARE OUT-TO-OUT



QUANTITIES - ONE GIRDER

REINFORCING STEEL	34.5 MPa CONCRETE	12.70mm Ø L.R. STRANDS
kg	m <sup>3</sup>	No.
363	6.49	14

GIRDERS REQUIRED

NUMBER	LENGTH	TOTAL LENGTH
4	12.743 m	50.972m

PROJECT NO. **R-2552B**

**JOHNSTON** COUNTY

STATION: **97+59.319-L-LT POC**

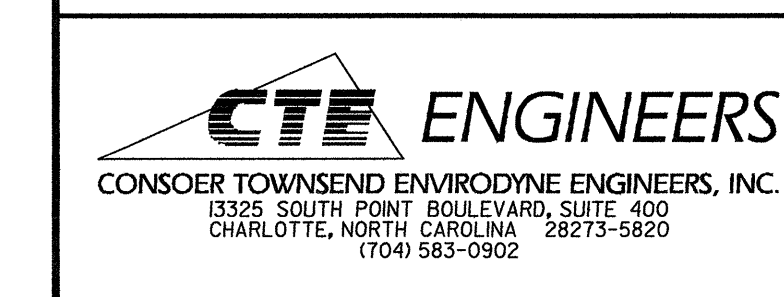
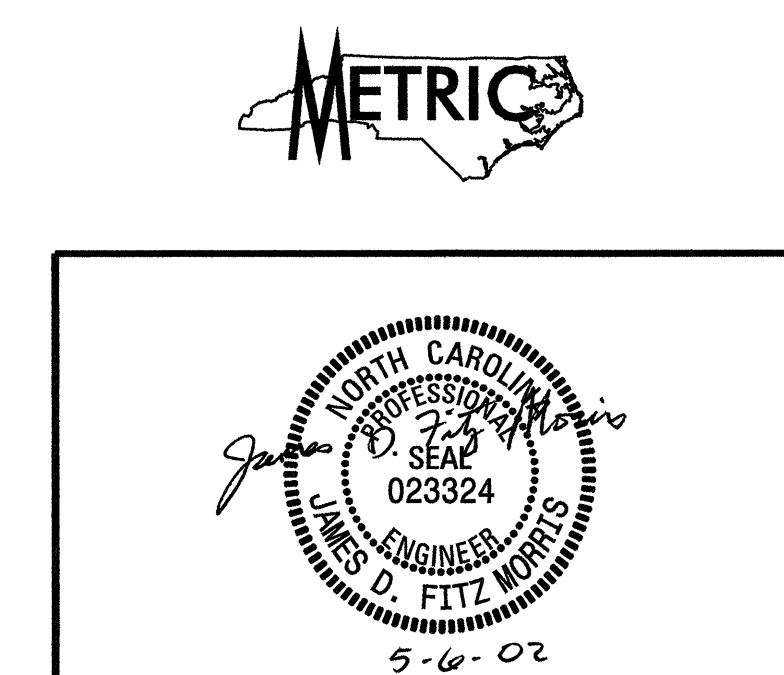
SHEET 1 OF 4

STATE OF NORTH CAROLINA  
DEPARTMENT OF TRANSPORTATION  
RALEIGH

**STANDARD**

**AASHTO TYPE IV PRESTRESSED  
CONCRETE GIRDER CONTINUOUS  
FOR LIVE LOAD**

**SPAN A**



REVISIONS						SHEET NO.
NO.	BY:	DATE:	NO.	BY:	DATE:	TOTAL SHEETS
1			3			5-90
2			4			431

Ø 76mm Ø HOLE DIMENSIONS		
GIRDER	'A'	'B'
A1	962	-
A2	962	962
A3	962	962
A4	-	962

ASSEMBLED BY : JDF	DATE : 05/01/02
CHECKED BY : MSB	DATE : 05/01/02
DRAWN BY : ELR 8/91	REV. 5/16/97 EEM/RGW
CHECKED BY : GRP 8/91	REV. 7/17/98 RWW/LES
	REV. 10/17/00 RWW/LES