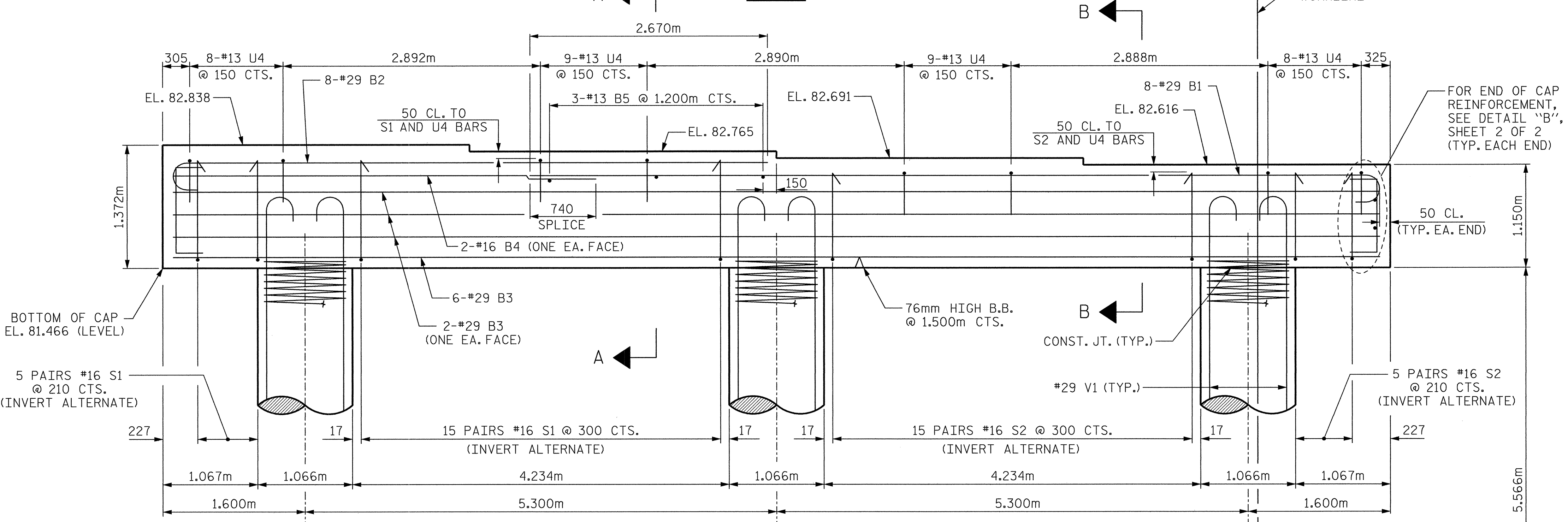
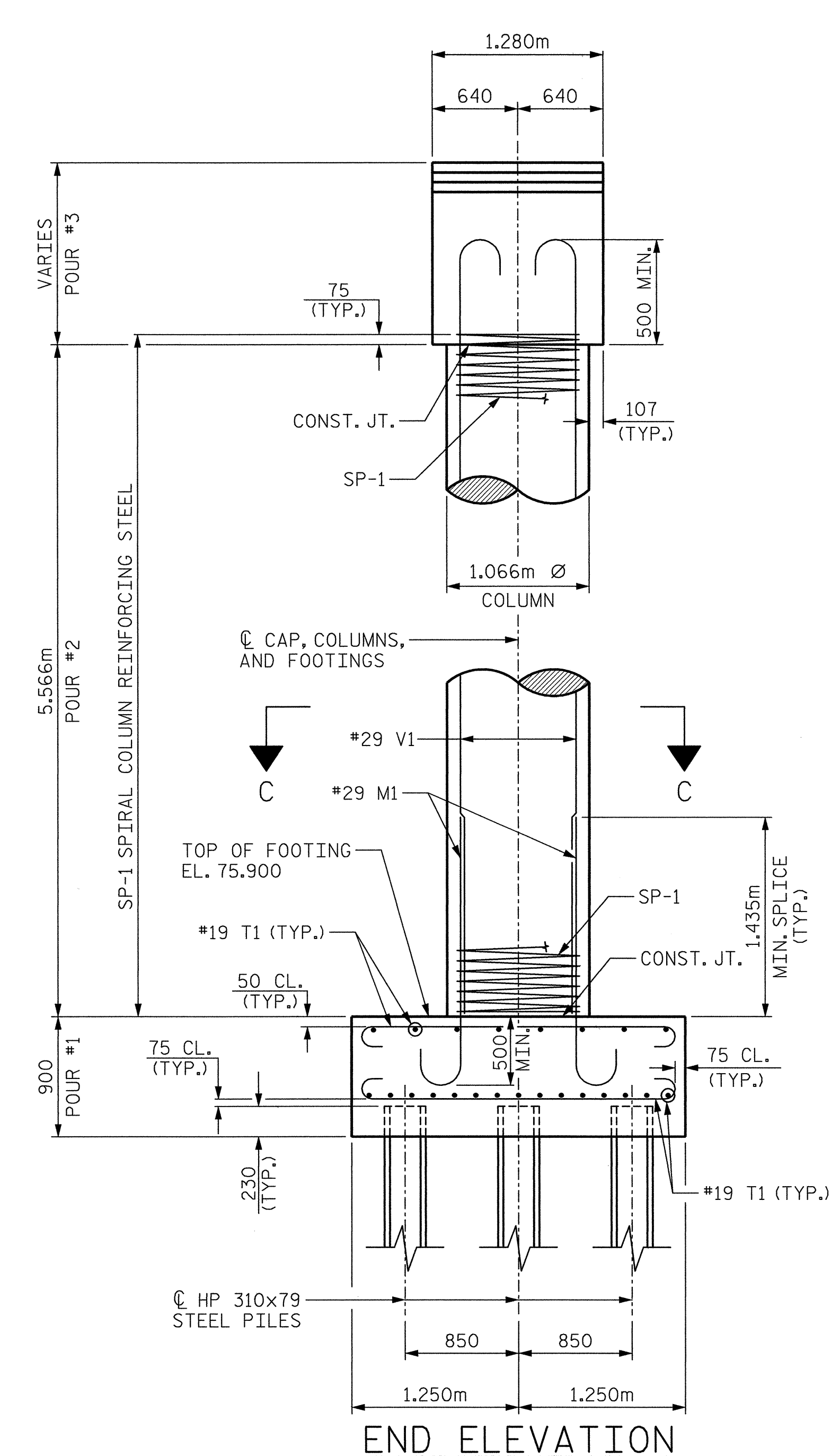


PLAN



ELEVATION

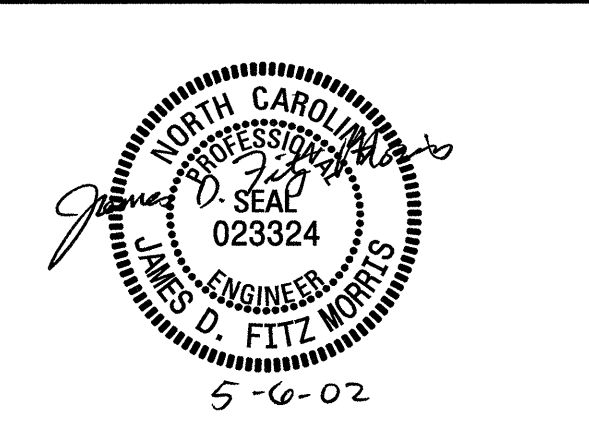


END ELEVATION

PROJECT NO. **R-2552B**  
**JOHNSTON** COUNTY  
 STATION: **97+59.319-L-LT POC**



SHEET 1 OF 2



**CTE ENGINEERS**  
 CONSER TOWNSEND ENVIRONMENTAL ENGINEERS, INC.  
 13325 SOUTH POINT BOULEVARD, SUITE 400  
 CHARLOTTE, NORTH CAROLINA 28273-5820  
 (704) 583-0902

STATE OF NORTH CAROLINA  
 DEPARTMENT OF TRANSPORTATION  
 RALEIGH  
**SUBSTRUCTURE**  
**BENT 1**

REVISIONS				SHEET NO.
NO.	BY:	DATE:	NO.	DATE:
1			3	
2			4	

TOTAL SHEETS: 431

DRAWN BY : MHF  
 CHECKED BY : JAW  
 DATE : 05/01/02  
 DATE : 05/01/02