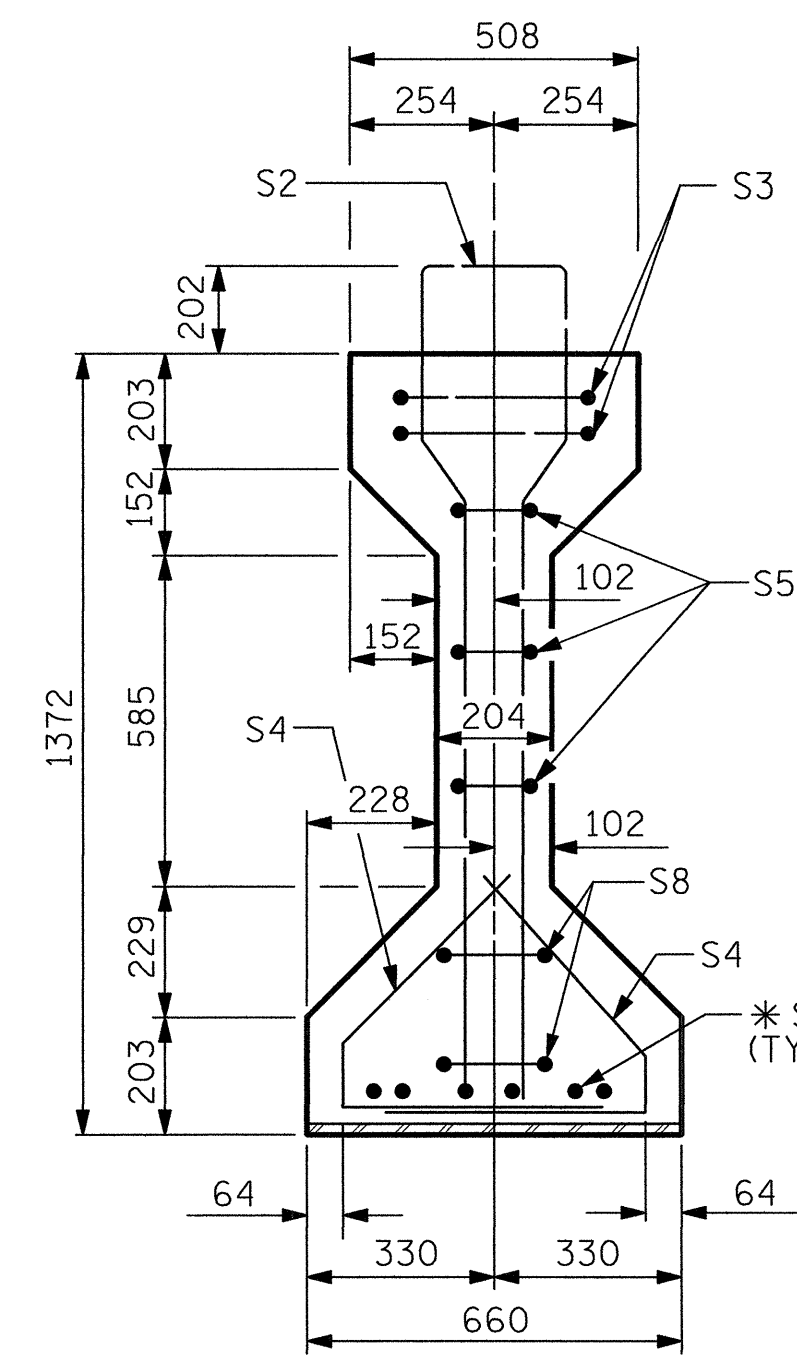
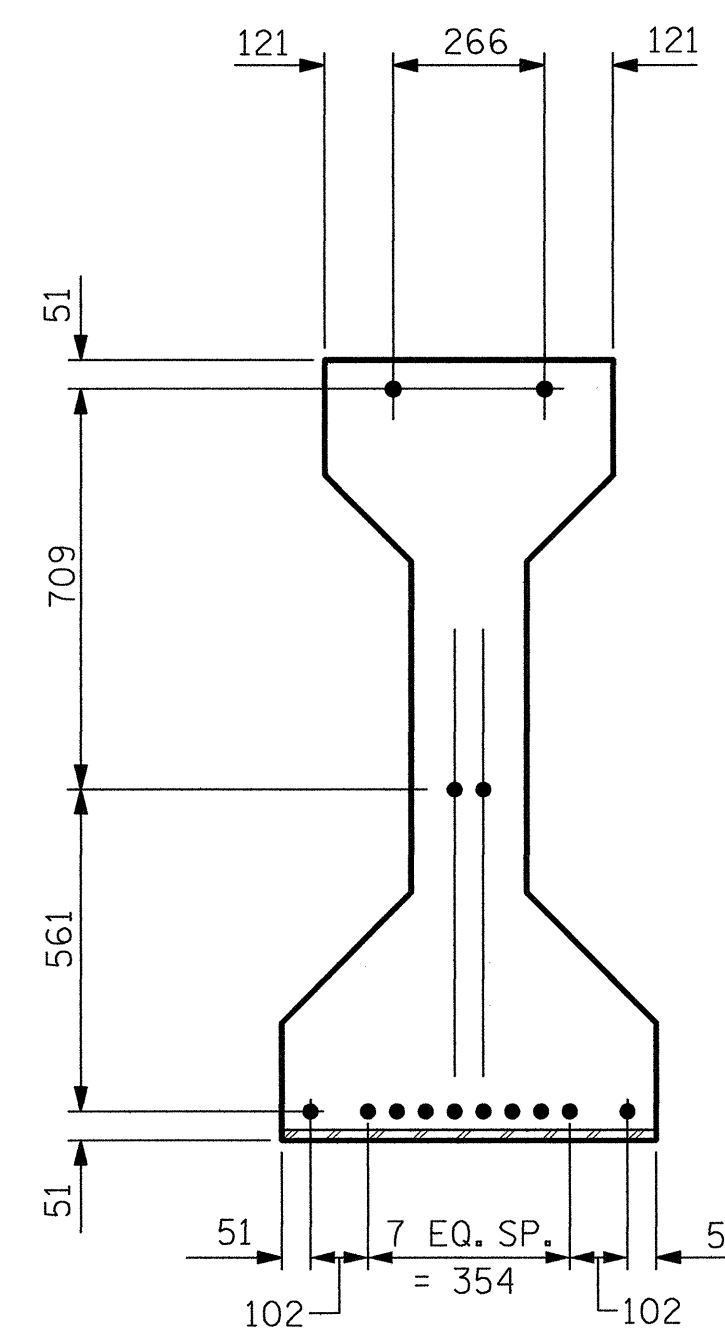


SECTION A-A

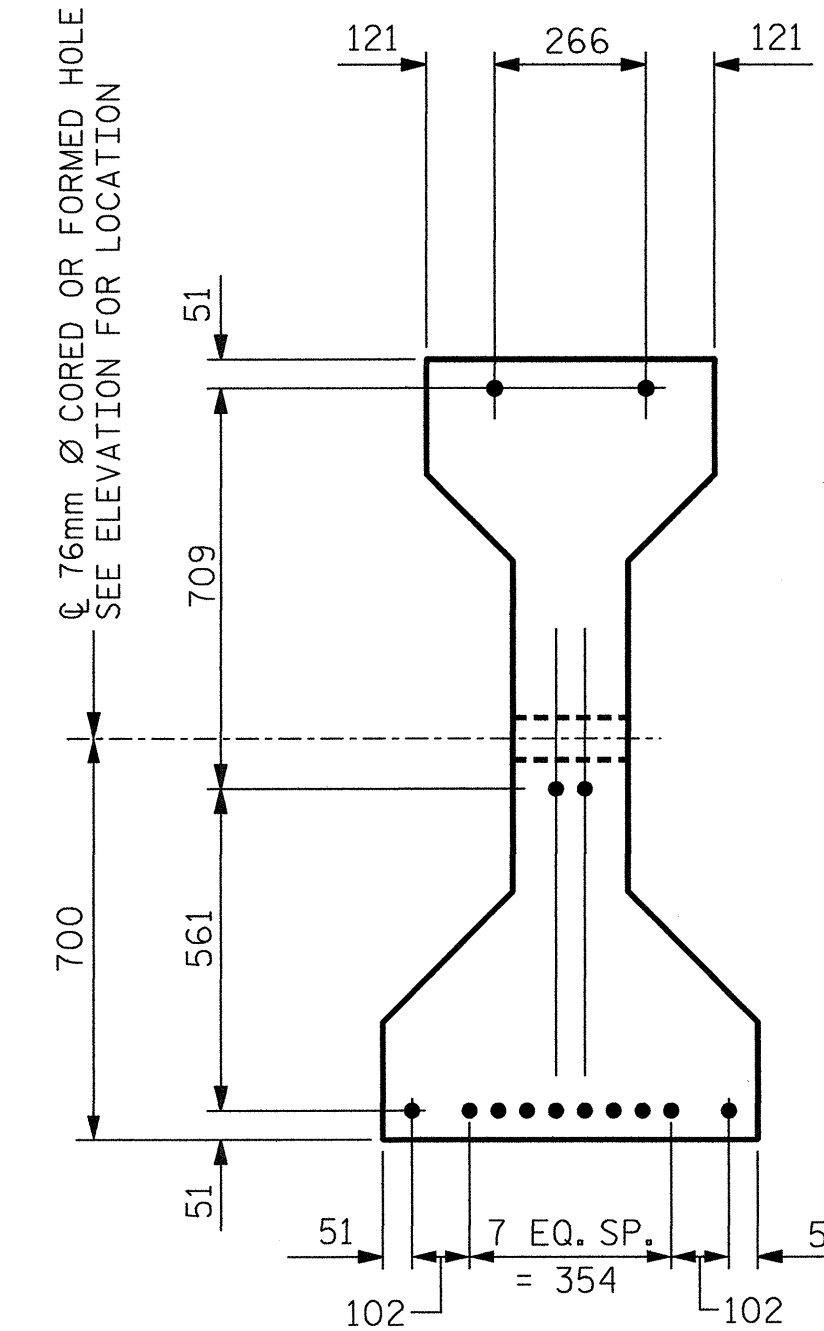


SECTION B-B

\* FOR S7 BARS, SEE  
DETAIL 'A' OF  
PRESTRESSED  
CONCRETE GIRDER  
CONTINUOUS FOR LIVE  
LOAD DETAILS SHEET



AT END OF GIRDER



AT C OF GIRDER

12.70mm Ø LOW RELAXATION STRAND LAYOUT

12.7mm Ø L.R. GRADE 270 STRANDS

AREA (mm <sup>2</sup> )	ULTIMATE STRENGTH (KN PER STRAND)	APPLIED PRESTRESS (KN PER STRAND)
98.71	183.7	137.8

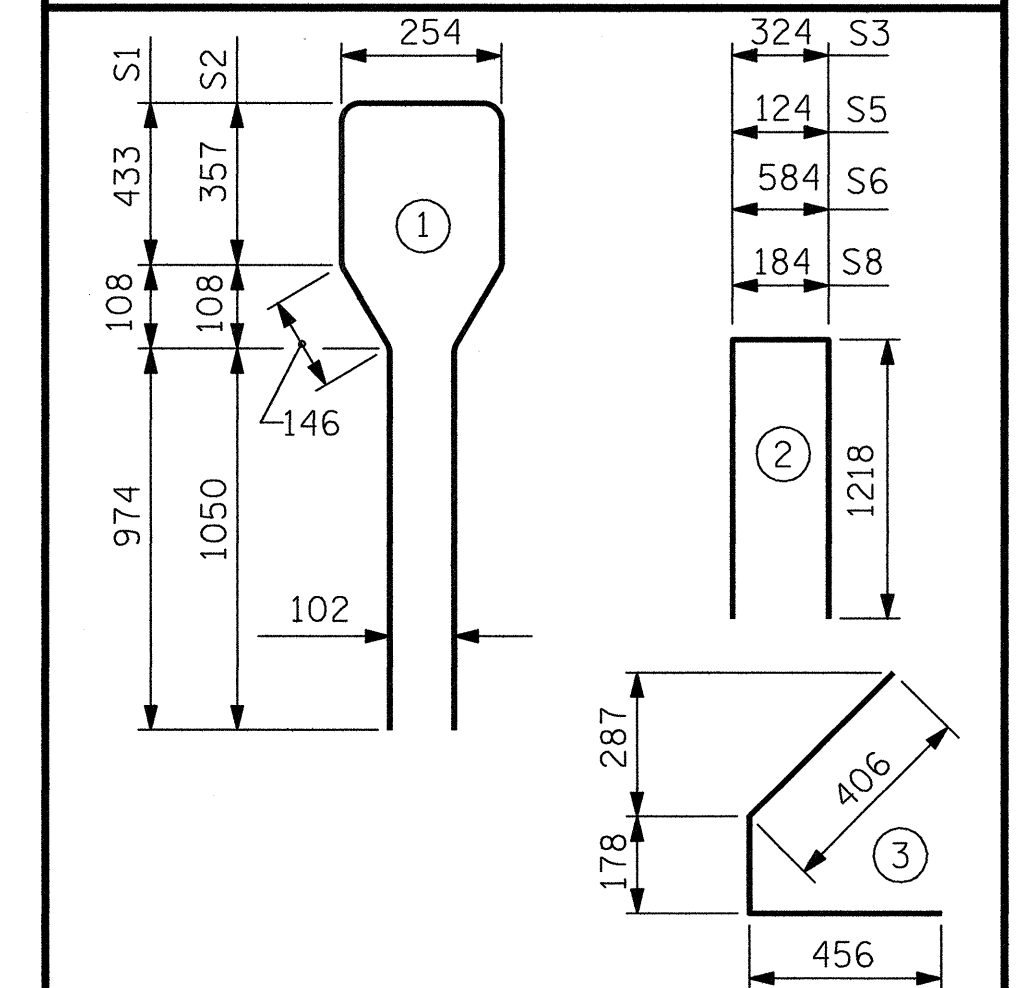
REINFORCING STEEL - ONE GIRDER

BAR	NUMBER	SIZE	TYPE	LENGTH	WEIGHT
S1	47	#13	1	3360	157
S2	12	#19	1	3360	90
S3	4	#13	2	2760	11
S4	64	#13	3	1040	66
S5	6	#13	2	2560	15
S6	1	#13	2	3020	3
* S7	6	#16	STR	1120	10
S8	4	#13	2	2620	10
S9	1	#10	STR	560	1

\* NOTE: S7 BARS SHALL BE BENT BEFORE SHIPMENT, HEAT BENDING SHALL NOT BE ALLOWED

BAR TYPES

ALL BAR DIMENSIONS ARE OUT-TO-OUT



QUANTITIES - ONE GIRDER

REINFORCING STEEL	34.5 MPa CONCRETE	12.70mm Ø L.R. STRANDS
kg	m <sup>3</sup>	No.
363	6.49	14

GIRDERS REQUIRED

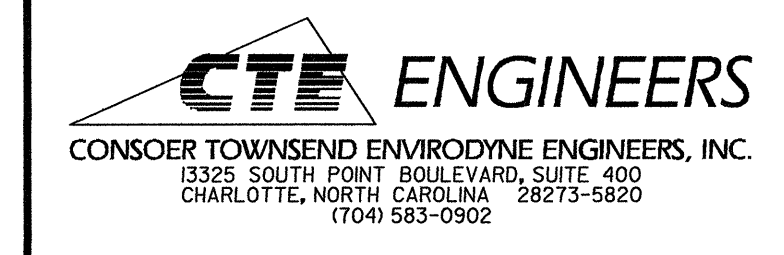
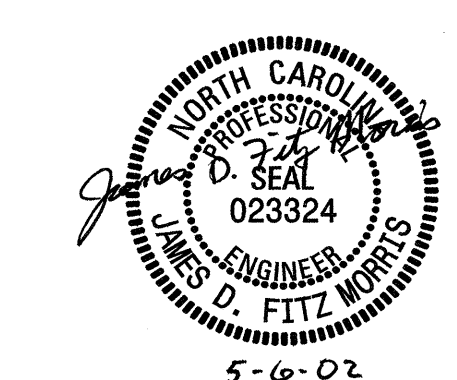
NUMBER	LENGTH	TOTAL LENGTH
4	12.751 m	51.004m

PROJECT NO. **R-2552B**

**JOHNSTON** COUNTY

STATION: **97+46.378-L-RT POC**

SHEET 1 OF 4



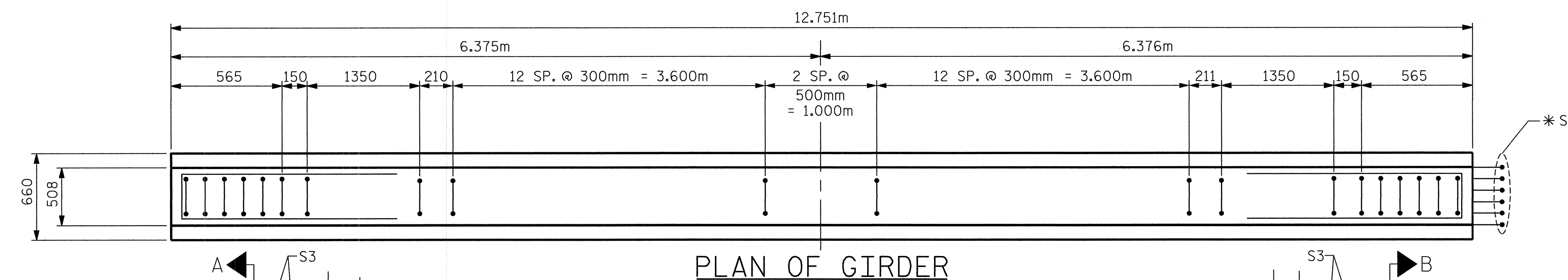
STATE OF NORTH CAROLINA  
DEPARTMENT OF TRANSPORTATION  
RALEIGH

**STANDARD**

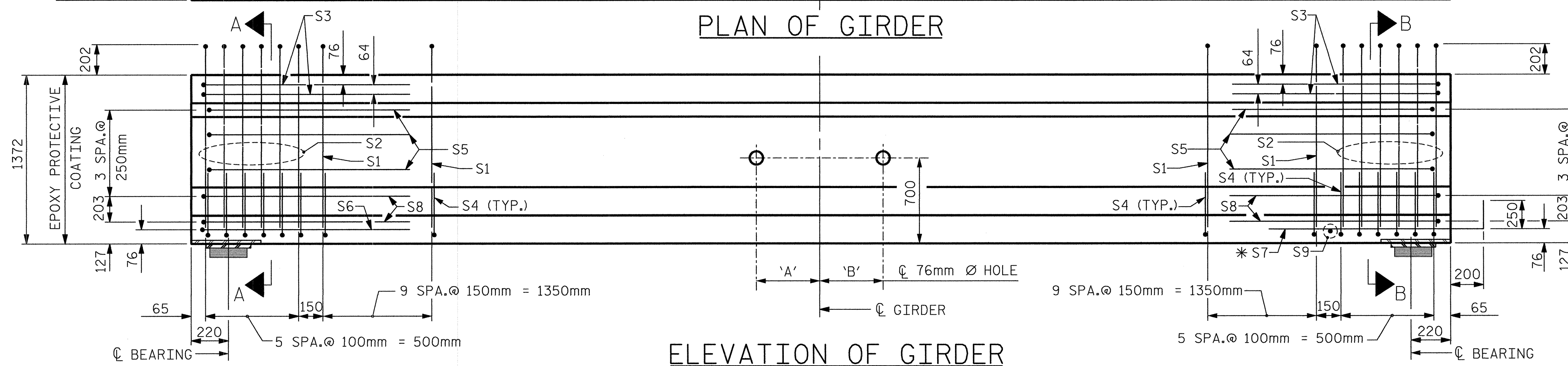
**AASHTO TYPE IV PRESTRESSED CONCRETE GIRDER CONTINUOUS FOR LIVE LOAD**

**SPAN A**

REVISIONS						SHEET NO.
NO.	BY:	DATE:	NO.	BY:	DATE:	
1			3			TOTAL SHEETS
2			4			431



PLAN OF GIRDER



ELEVATION OF GIRDER

Ø 76mm Ø HOLE DIMENSIONS		
GIRDER	'A'	'B'
A1	971	-
A2	971	971
A3	971	971
A4	-	971

ASSEMBLED BY : JDF DATE : 05/01/02  
CHECKED BY : MSB DATE : 05/01/02  
DRAWN BY : ELR 8/91 REV. 5/16/97 EEM/RW  
CHECKED BY : GRP 8/91 REV. 7/17/98 RWW/LES  
REV. 10/17/00 RWW/LES