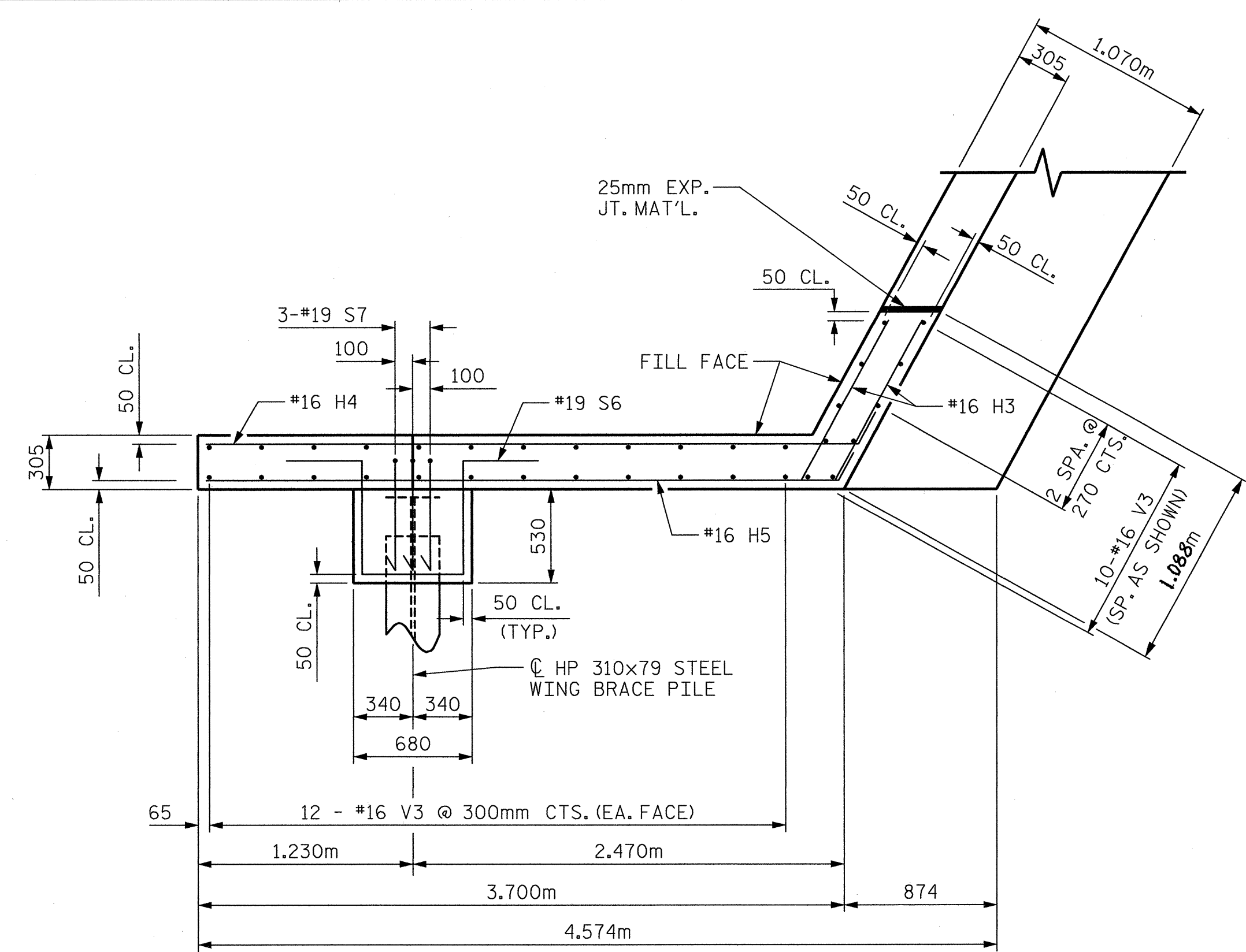
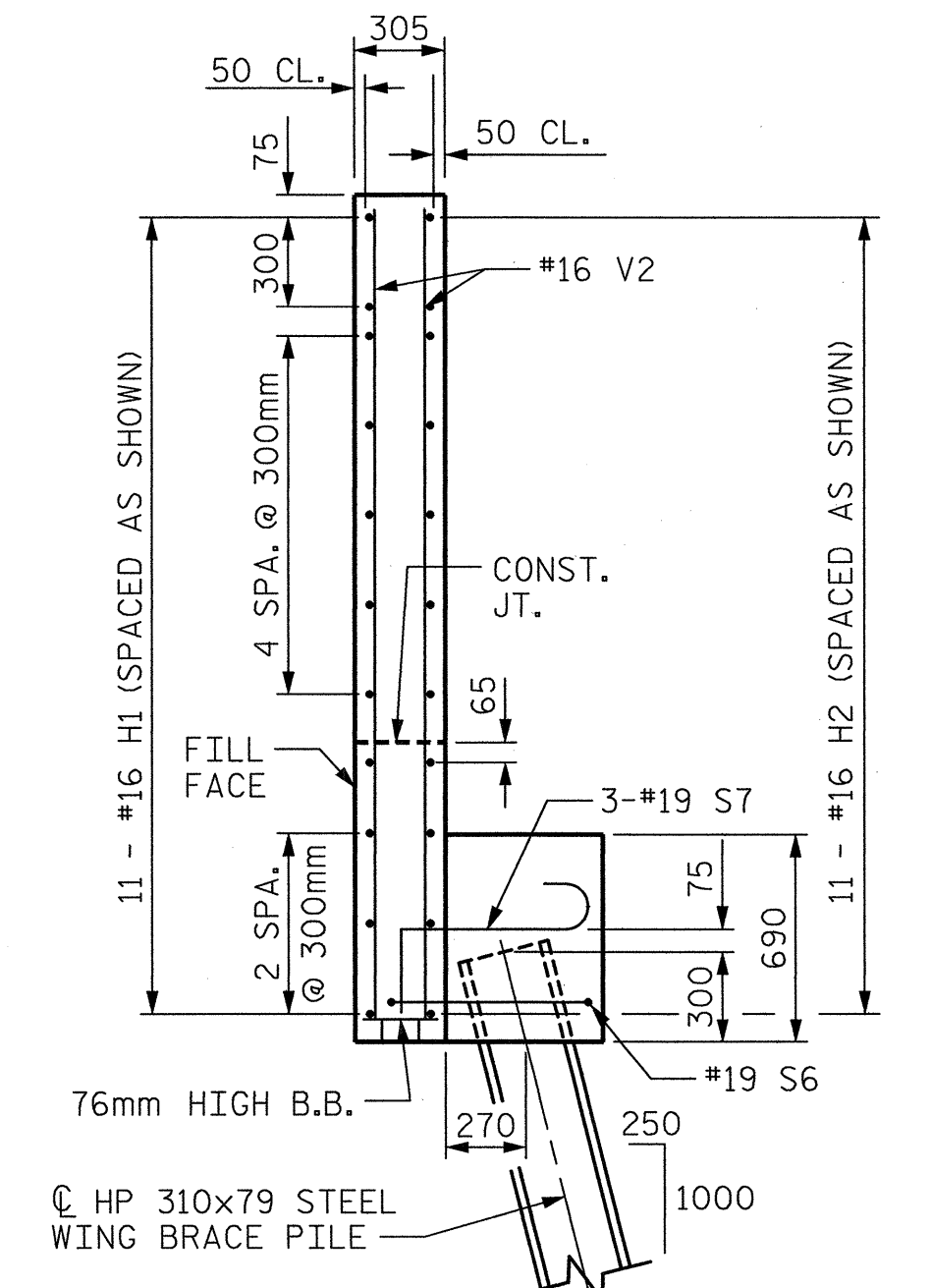


PLAN OF WING (W1)

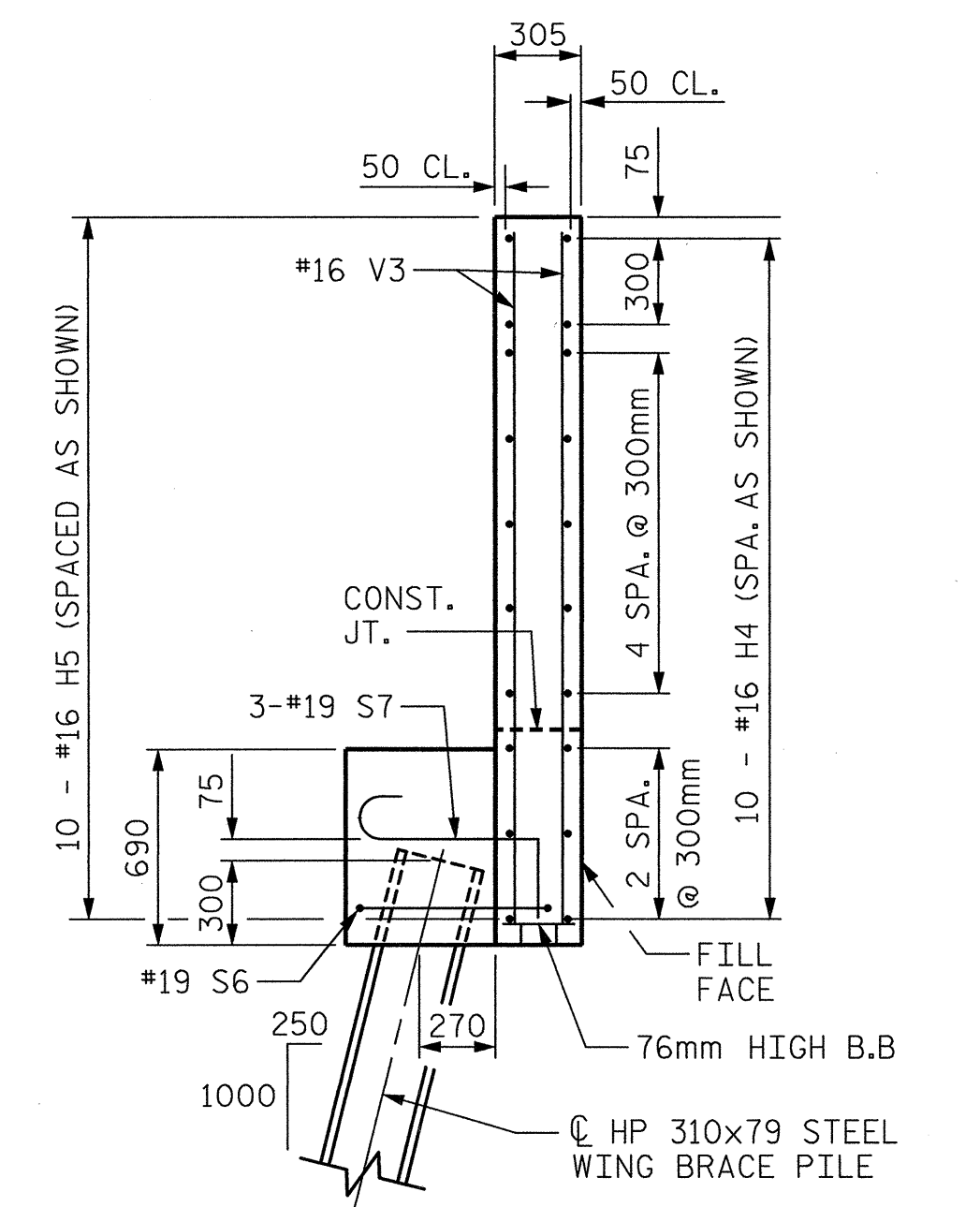


PLAN OF WING (W2)

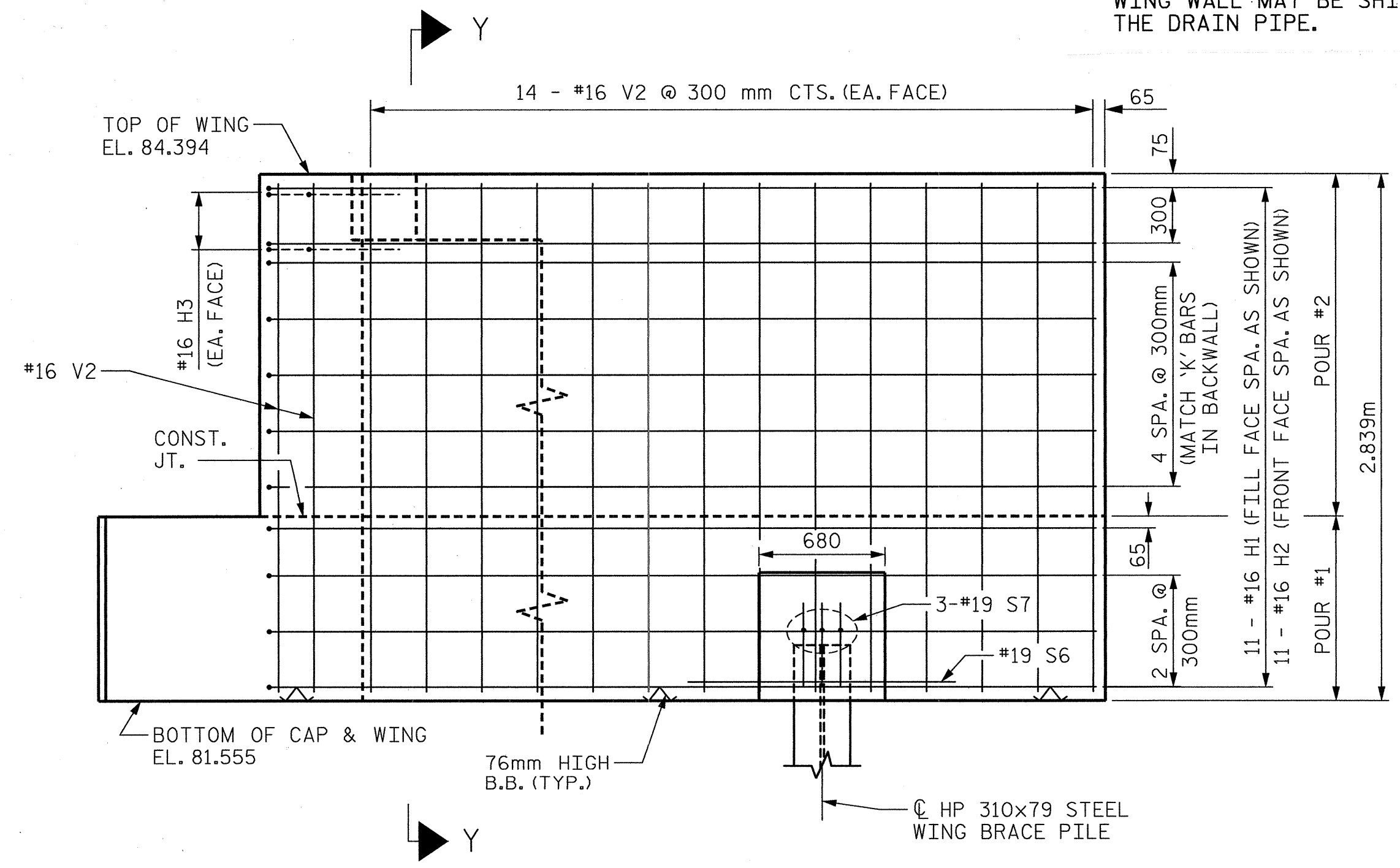
NOTE:
 THE CONTRACTOR SHALL PROVIDE FOR INSTALLATION OF THE 102mm Ø DRAIN PIPE THROUGH THE WING WALL AS REQUIRED FOR REINFORCED BRIDGE APPROACH FILLS, SEE THE ROADWAY PLANS. REINFORCING STEEL IN THE WING WALL MAY BE SHIFTED AS NECESSARY TO CLEAR THE DRAIN PIPE.



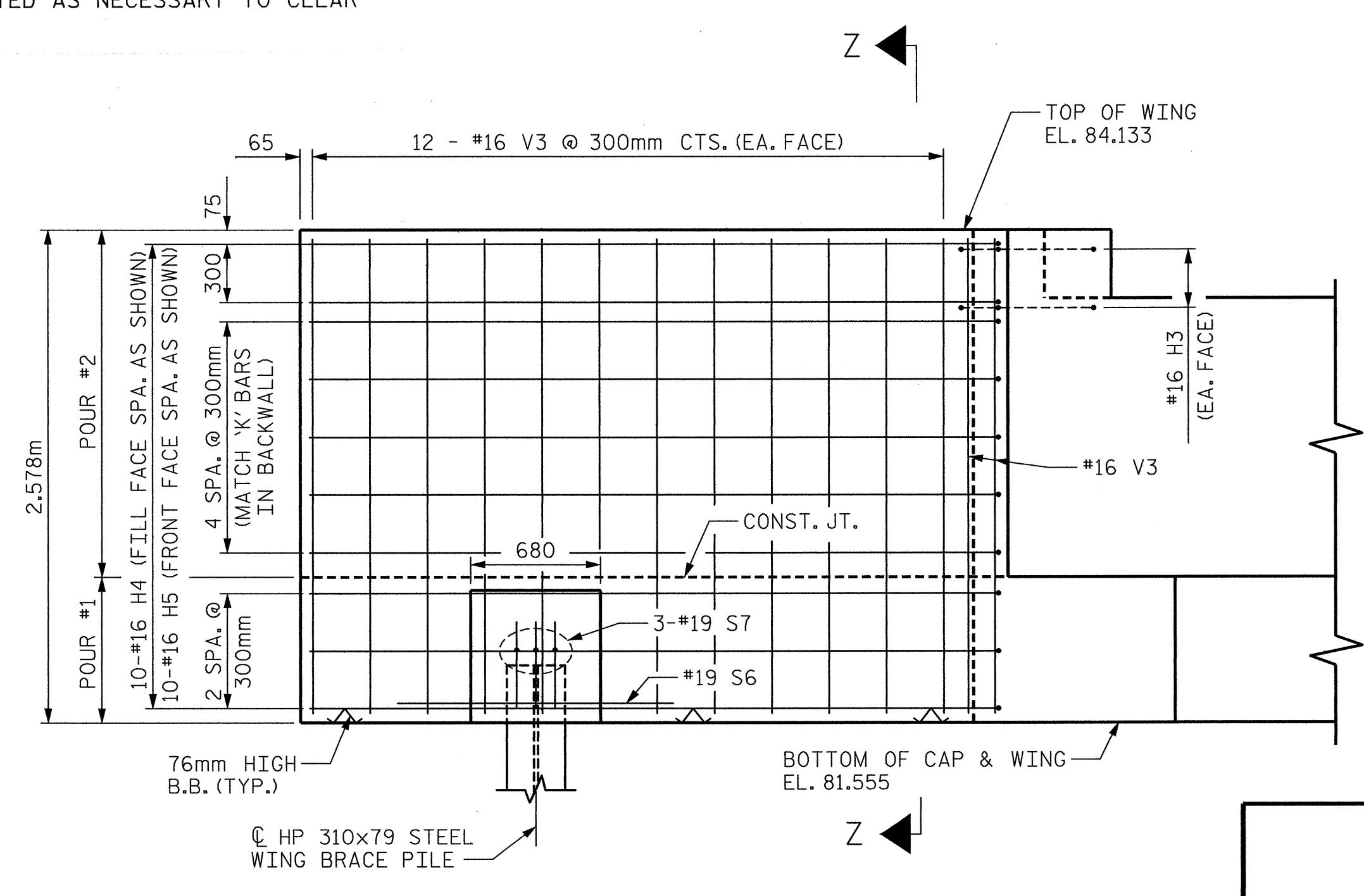
SECTION Y-Y



SECTION Z-Z



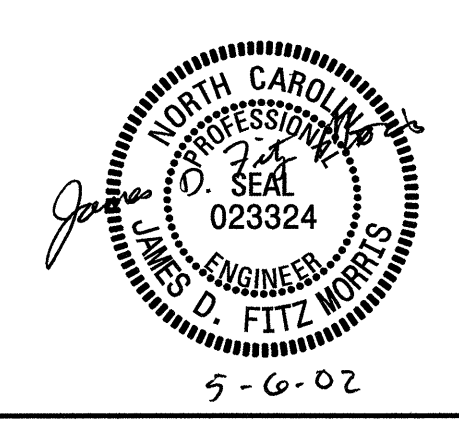
ELEVATION OF WING (W1)



ELEVATION OF WING (W2)

PROJECT NO. **R-2552B**
JOHNSTON COUNTY
 STATION: **97+46.378-L-RT POC**

SHEET 2 OF 3



CTE ENGINEERS
 CONSOER TOWNSEND ENVIRONMENTAL ENGINEERS, INC.
 13325 SOUTH POINT BOULEVARD, SUITE 400
 CHARLOTTE, NORTH CAROLINA 28273-5820
 (704) 583-0902

STATE OF NORTH CAROLINA
 DEPARTMENT OF TRANSPORTATION
 RALEIGH
SUBSTRUCTURE
END BENT 1

DRAWN BY : JDF DATE : 05/01/02
 CHECKED BY : MSB DATE : 05/01/02

REVISIONS				SHEET NO.
NO.	BY:	DATE:	NO.	DATE:
1			3	
2			4	

TOTAL SHEETS: 431