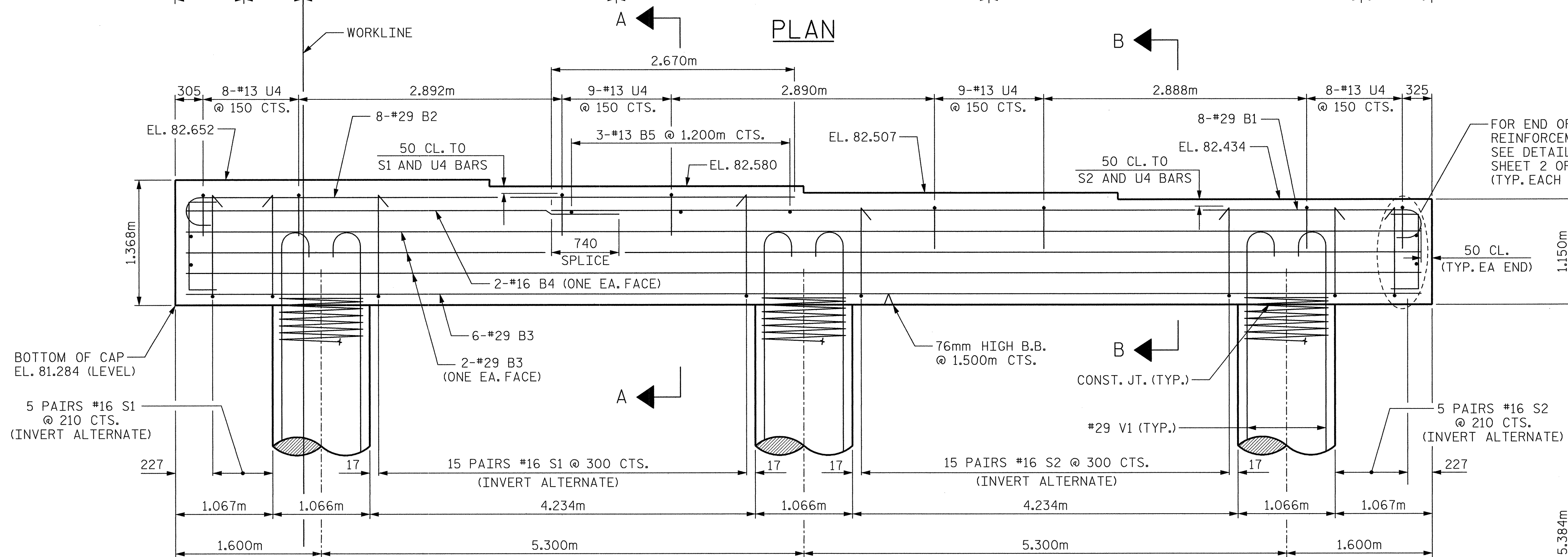
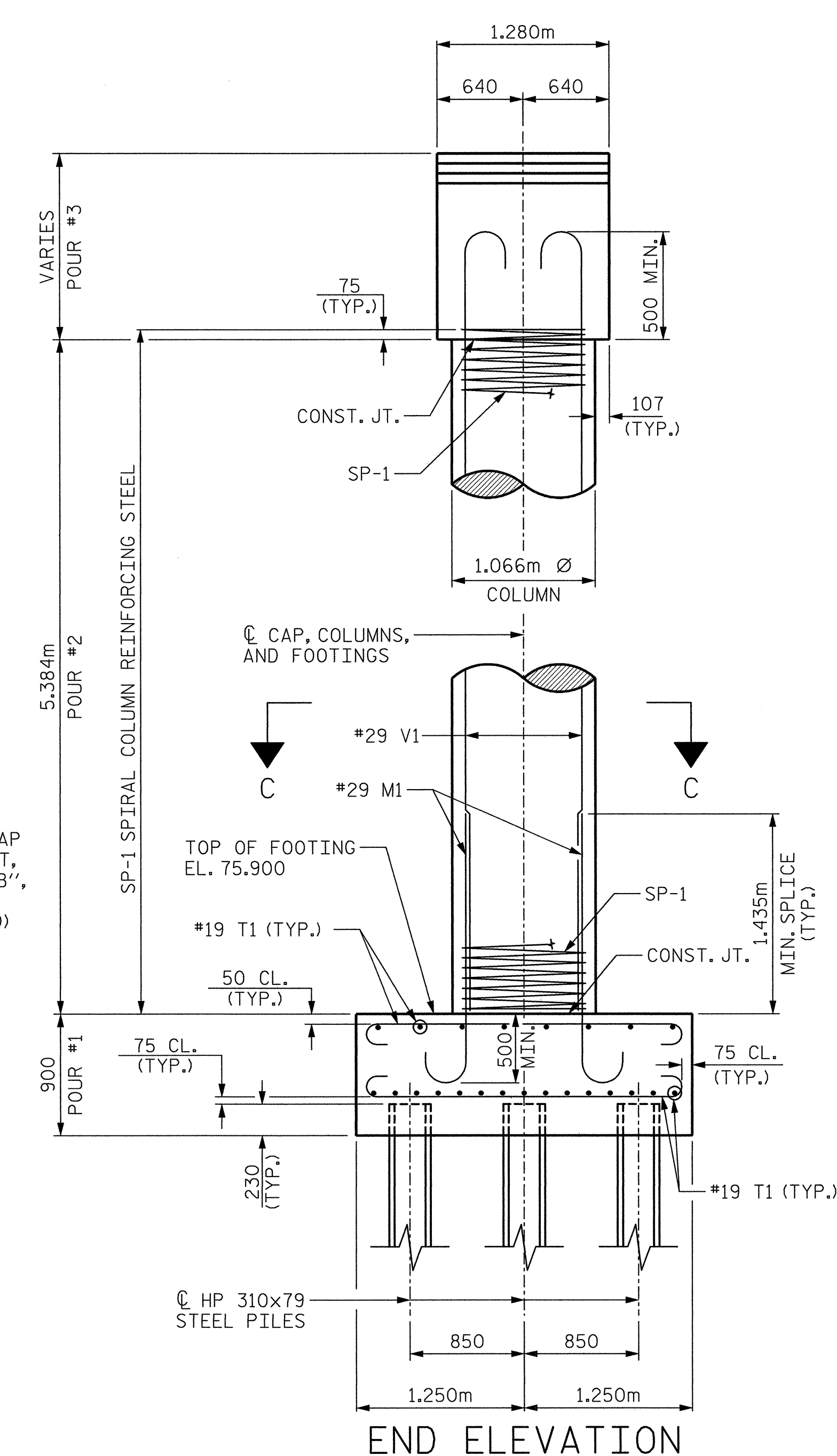


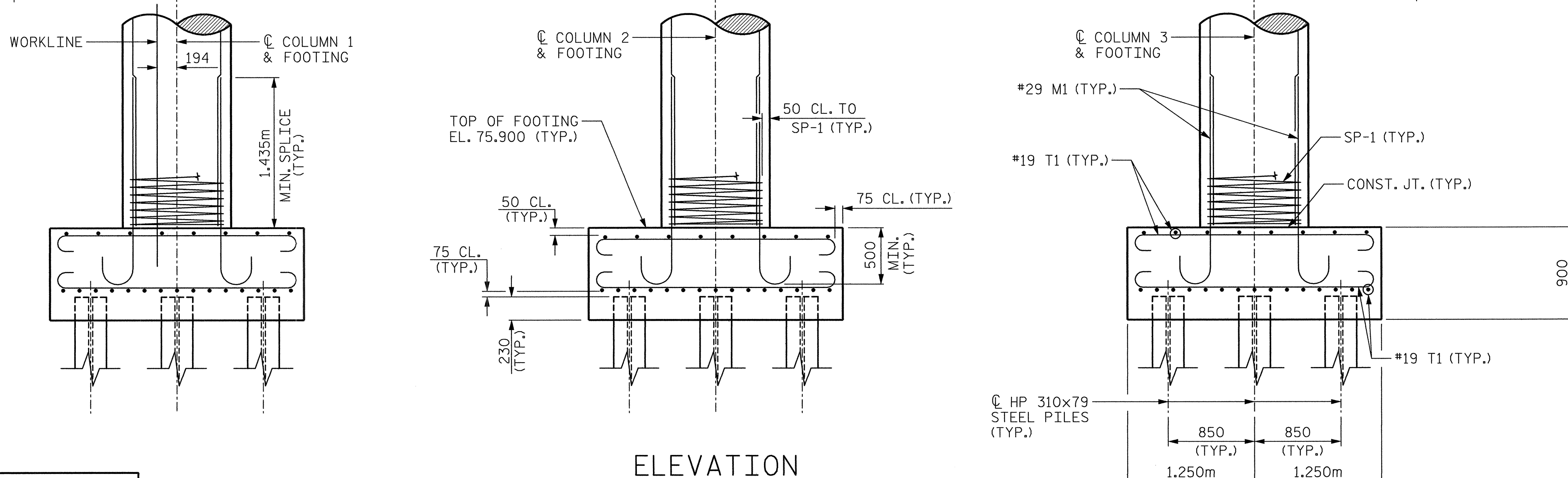
PLAN



ELEVATION



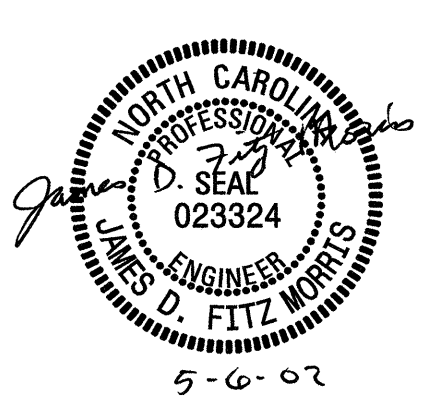
END ELEVATION



PROJECT NO. **R-2552B**  
**JOHNSTON** COUNTY  
 STATION: **97+46.378-L-RT POC**



SHEET 1 OF 2



**CTE ENGINEERS**  
 CONSOER TOWNSEND ENVIRONMENTAL ENGINEERS, INC.  
 1325 SOUTH POINT BOULEVARD, SUITE 400  
 CHARLOTTE, NORTH CAROLINA 28273-5820  
 (704) 583-0902

STATE OF NORTH CAROLINA  
 DEPARTMENT OF TRANSPORTATION  
 RALEIGH

**SUBSTRUCTURE**

**BENT 2**

REVISIONS						SHEET NO.
NO.	BY:	DATE:	NO.	BY:	DATE:	
1			3			5-139 TOTAL SHEETS 431
2			4			

DRAWN BY : MHF  
 CHECKED BY : JAW  
 DATE : 05/01/02  
 DATE : 05/01/02