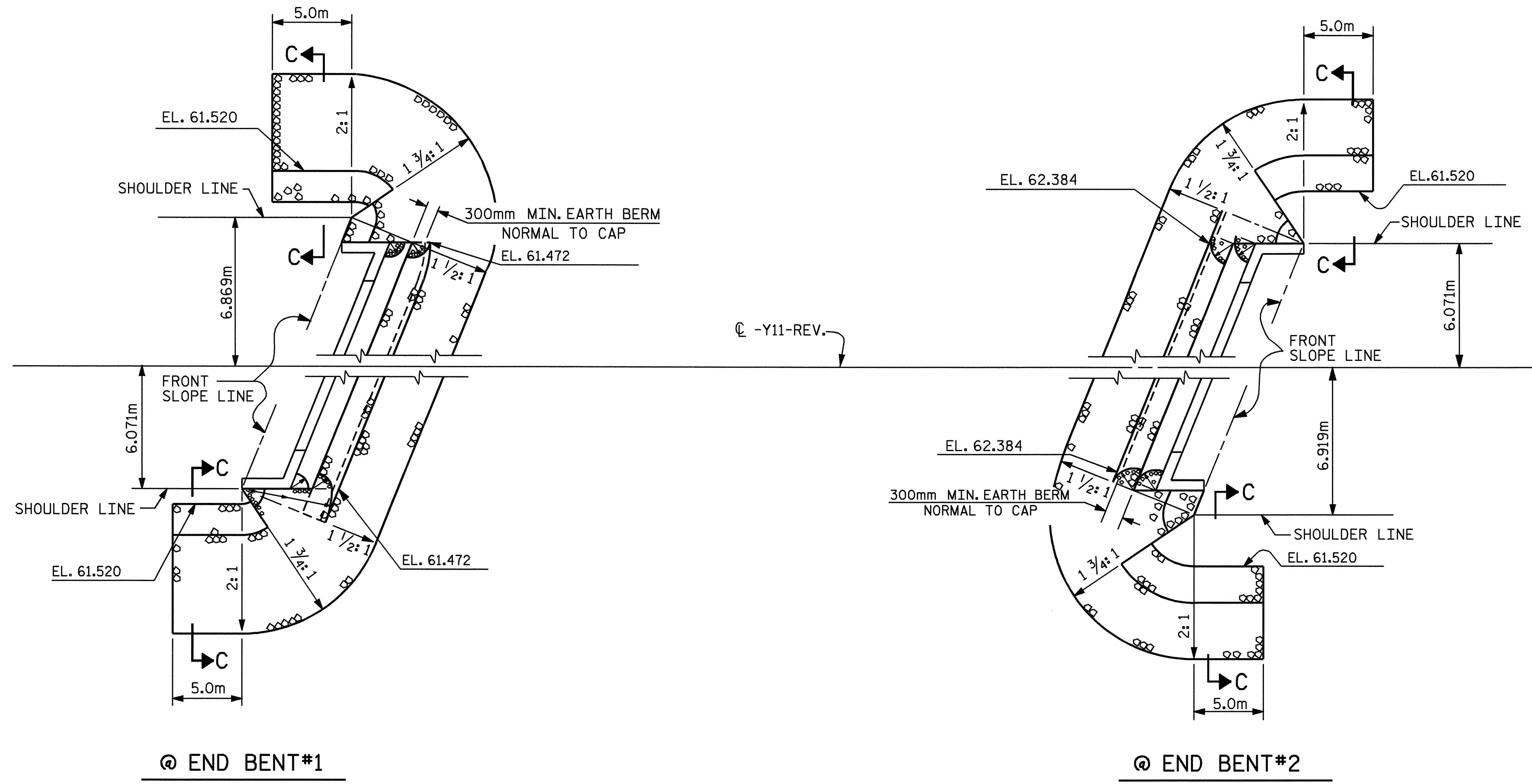
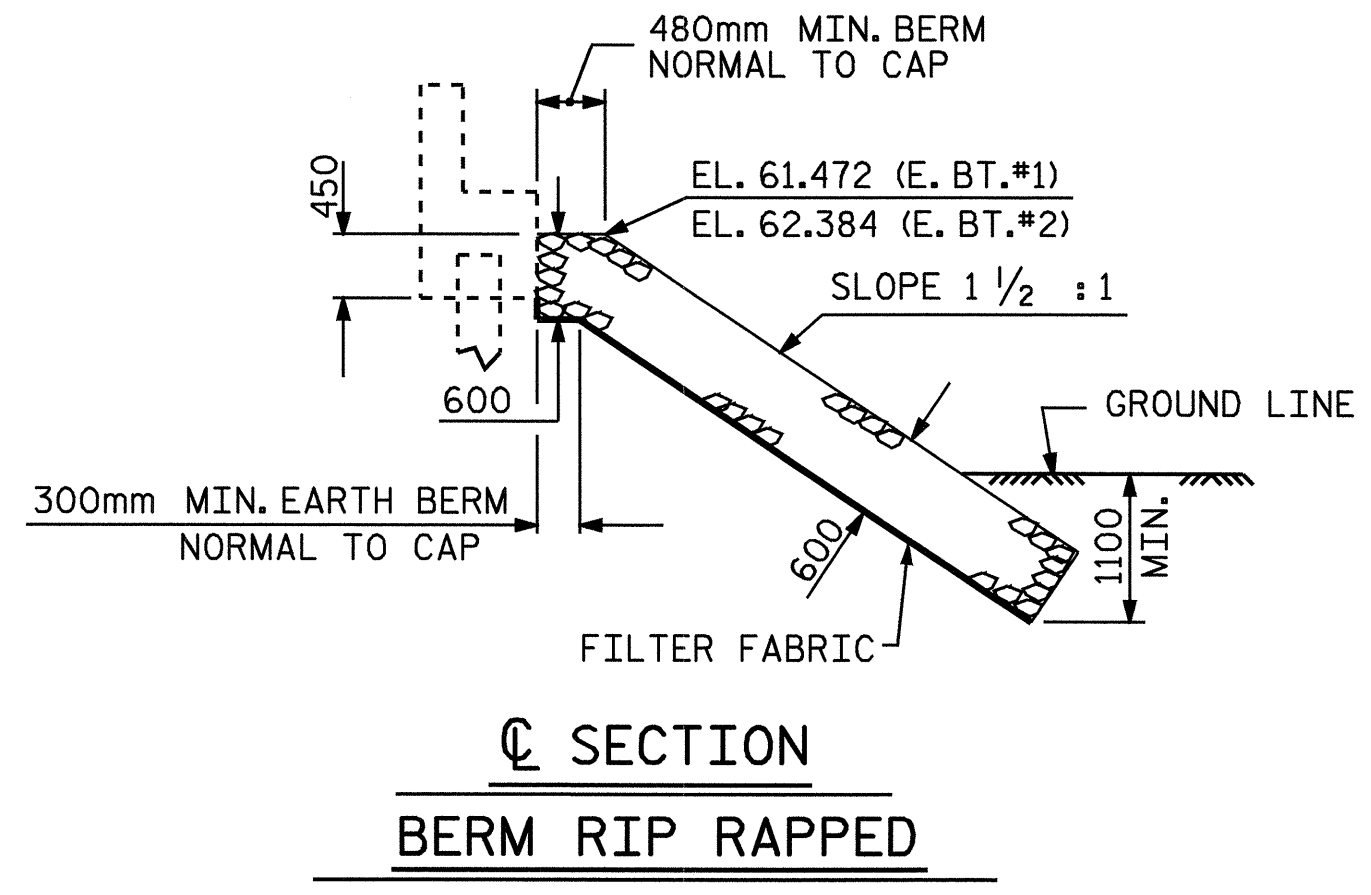


NOTES :  
FOR BERM WIDTH DIMENSIONS,SEE GENERAL DRAWING.

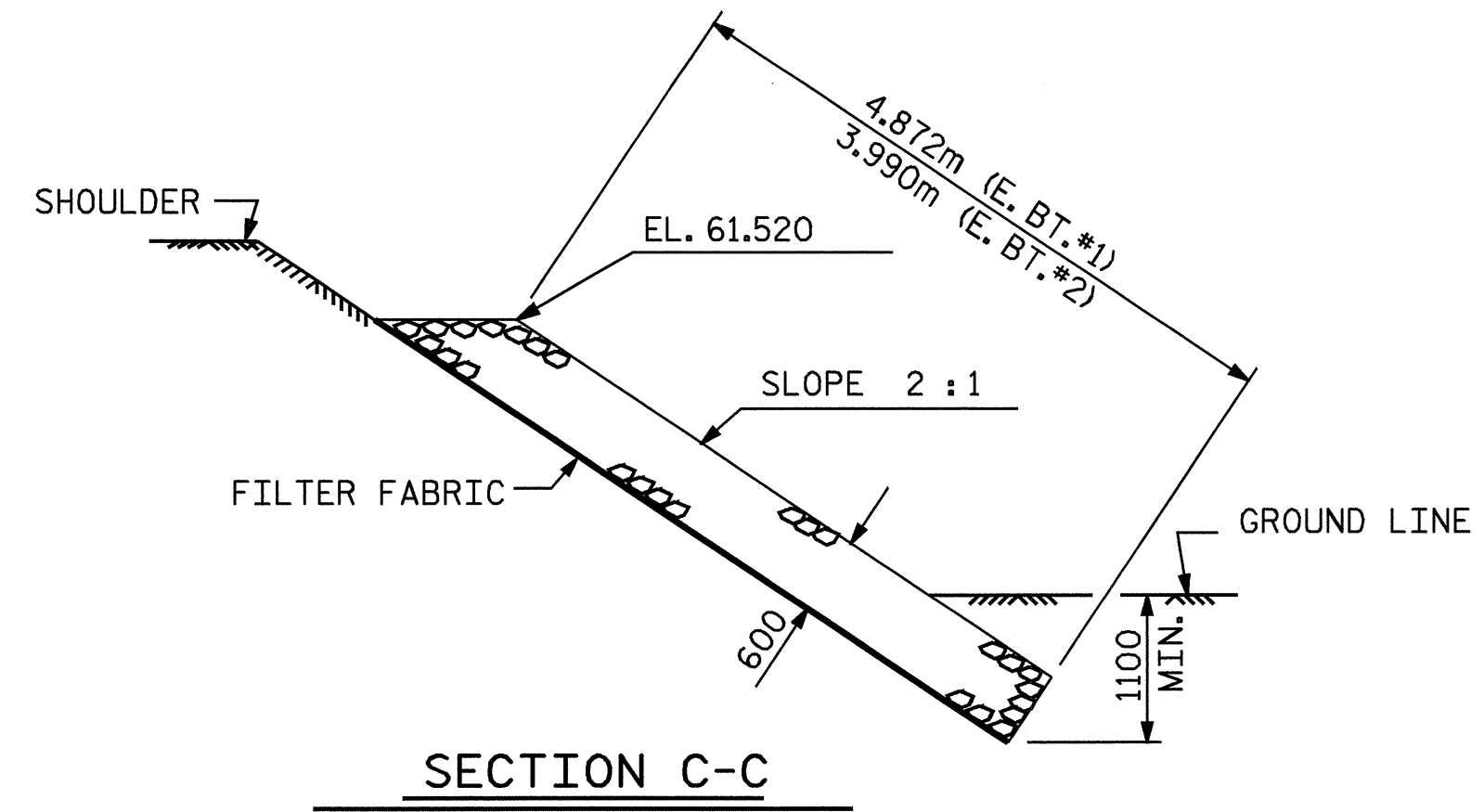


BERM RIP RAPPED

ESTIMATED QUANTITIES		
BRIDGE @ STA. 14+72.000-Y11-REV.	PLAIN RIP RAP CLASS II	FILTER FABRIC FOR DRAINAGE
	METRIC TON	SQUARE METERS
END BENT 1	177	181
END BENT 2	203	208



SECTION  
BERM RIP RAPPED



SECTION C-C

PROJECT NO. R-2552B  
JOHNSTON COUNTY  
STATION: 14+72.000-Y11-REV.



STATE OF NORTH CAROLINA  
DEPARTMENT OF TRANSPORTATION  
RALEIGH

STANDARD  
=RIP RAP DETAILS=

ASSEMBLED BY : R.D. MARTIN	DATE : 8/27/04
CHECKED BY : H. A. LUCAS	DATE : 2/18/05
DRAWN BY : REK 1/84	REV. 7/17/98 REK/RWW
CHECKED BY : RDU 1/84	REV. 8/16/99 RWW/LES
	REV. 10/17/00 RWW/LES

REVISIONS						SHEET NO.
NO.	BY:	DATE:	NO.	BY:	DATE:	TOTAL SHEETS
1			3			5-176
2			4			431