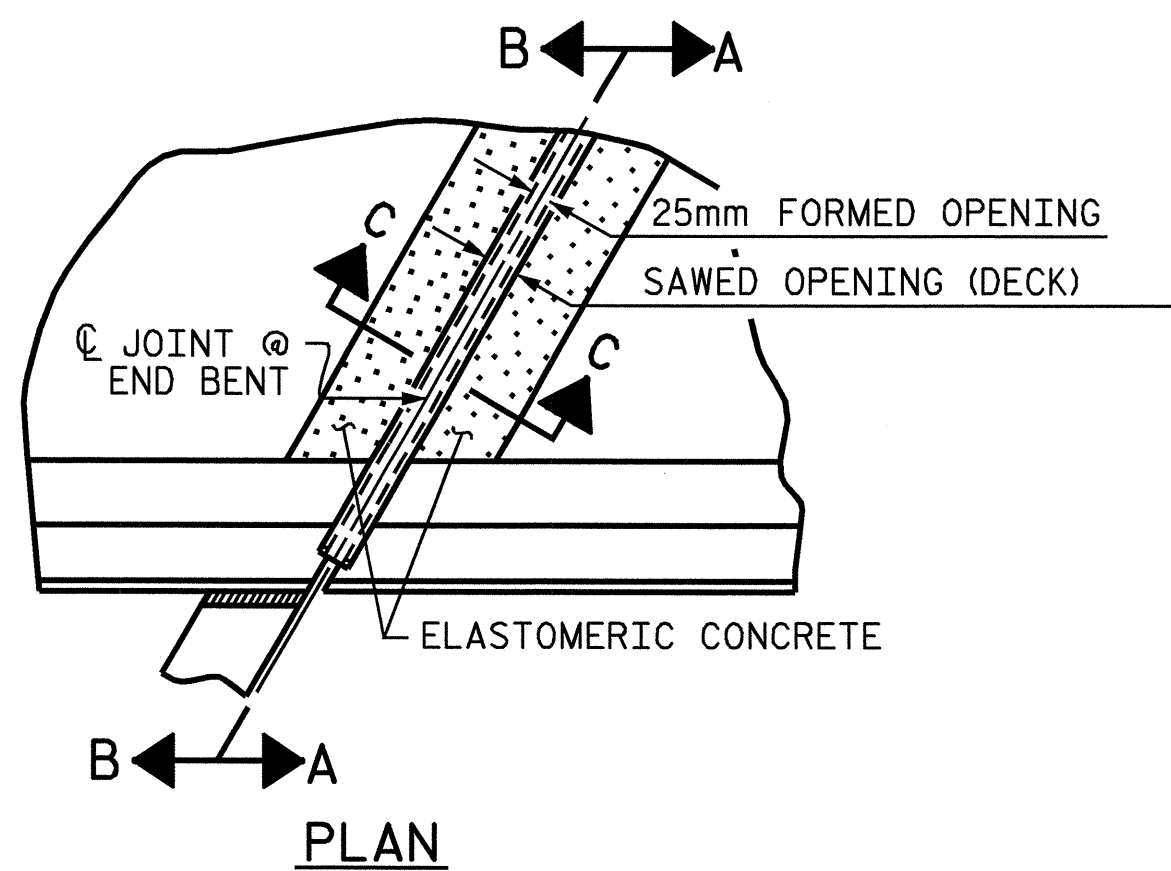
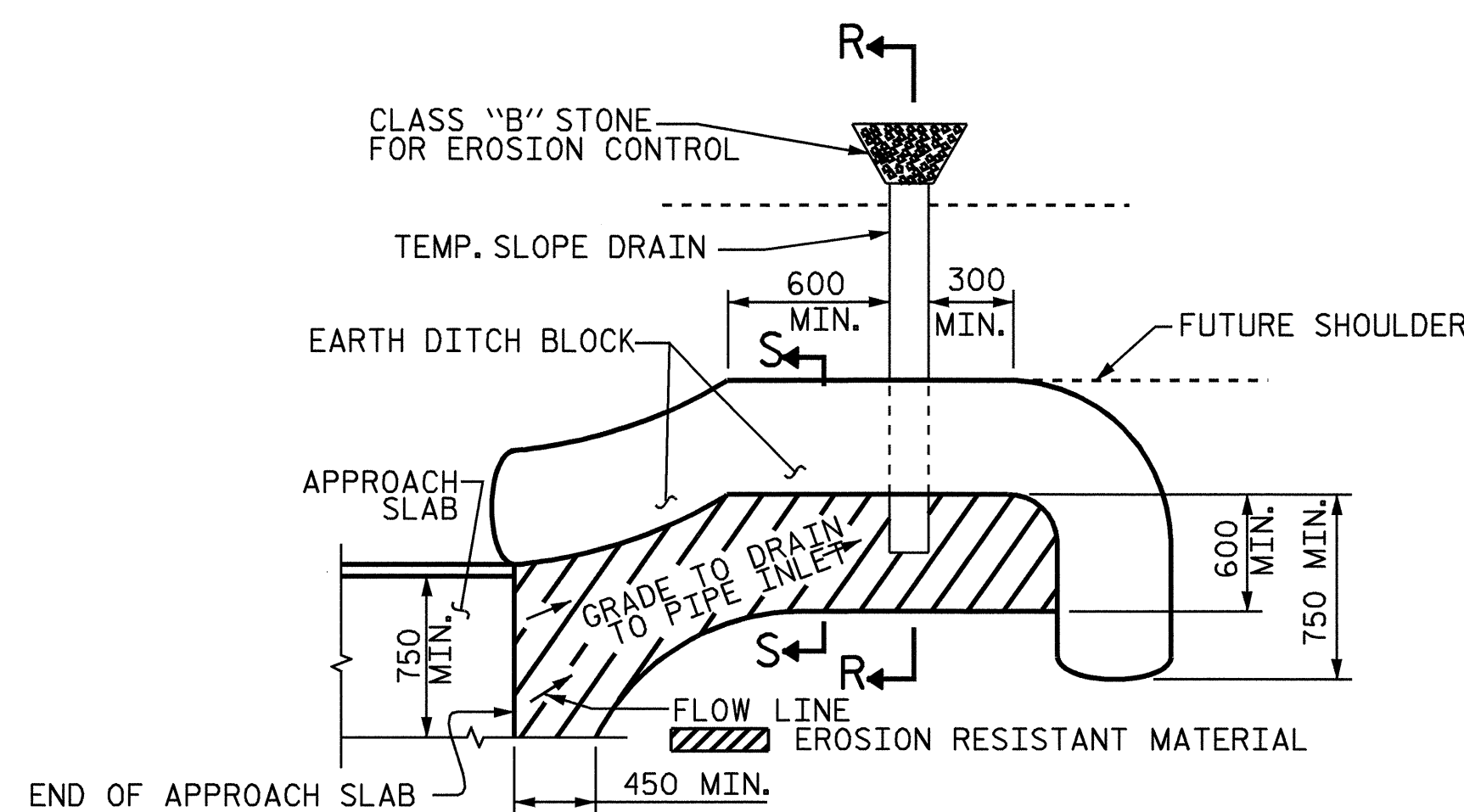


SECTION C-C
EVAZOTE JOINT SEAL
(FOR EVAZOTE JOINT SEAL,
SEE SPECIAL PROVISIONS)
(EVAZOTE JOINT SEAL @ E.BTS. #1 & #2)



PLAN

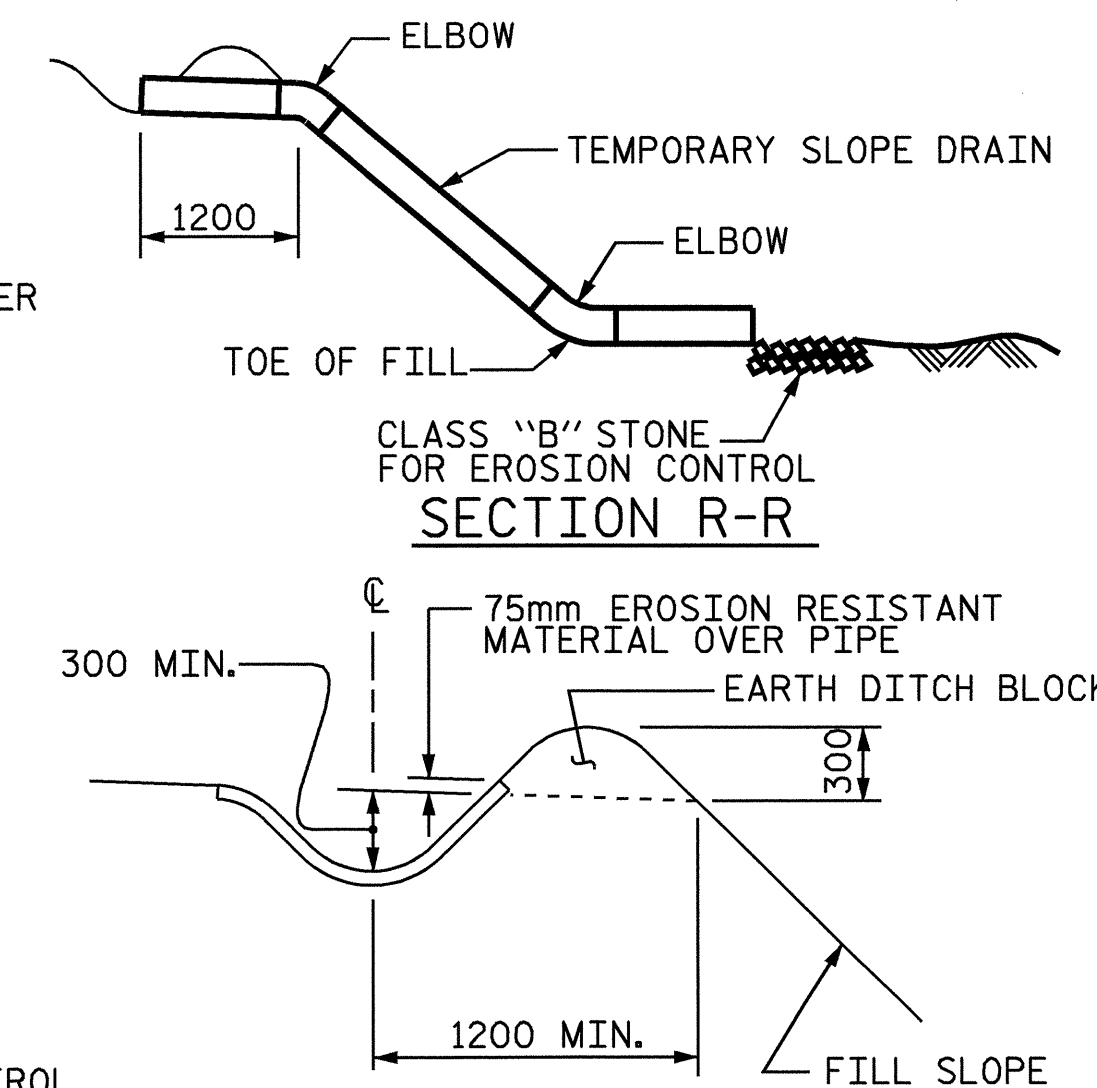
BILL OF MATERIAL	
END BENT NO.	ELASTOMERIC CONCRETE (C.M.)
1	0.2
2	0.2



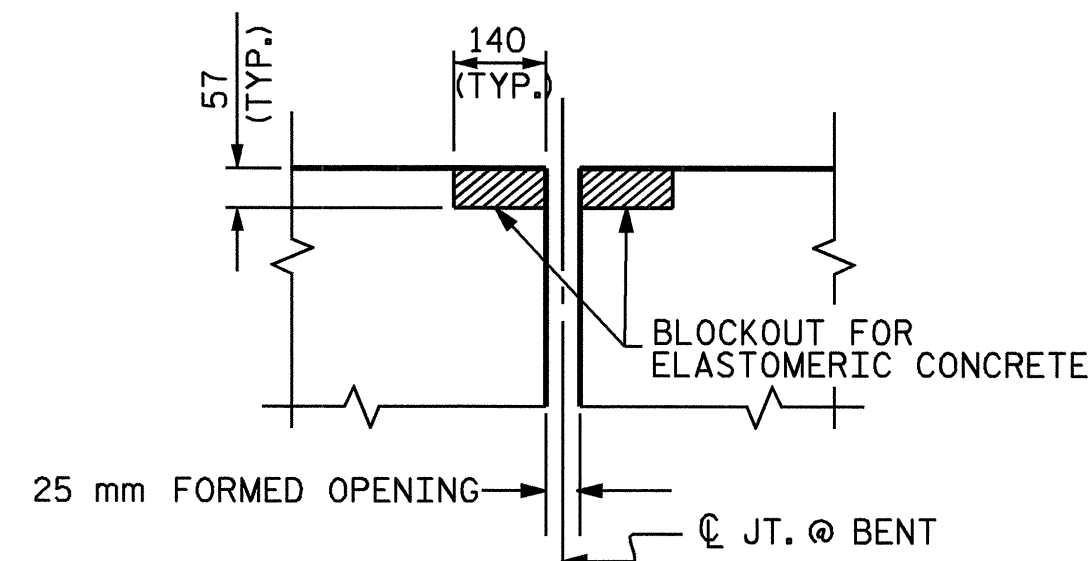
NOTE: IMMEDIATELY AFTER THE CONSTRUCTION OF THE APPROACH SLAB, THE CONTRACTOR SHALL PROVIDE TEMPORARY BERM AND SLOPE DRAIN. CONTRACTOR SHALL GRADE TO PIPE INLET AND PROVIDE EROSION RESISTANT MATERIAL AS SHOWN. THE EROSION RESISTANT MATERIAL SHALL BE EITHER 1) ASPHALT PLANT MIX, TYPE 1 OR TYPE 2, MIN. 50mm DEPTH, 2) EROSION CONTROL MAT, OR 3) CONCRETE, AS DIRECTED BY THE ENGINEER. THE SLOPE DRAINAGE PIPE, 305mm IN DIAMETER.

PLAN VIEW

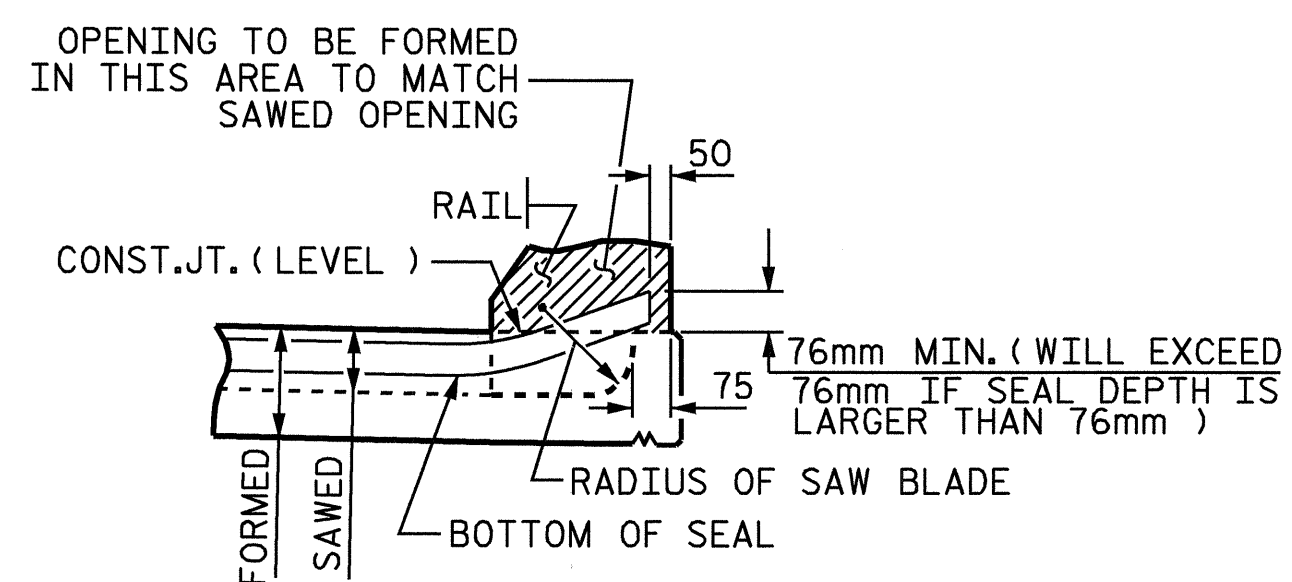
TEMPORARY BERM AND SLOPE DRAIN DETAILS



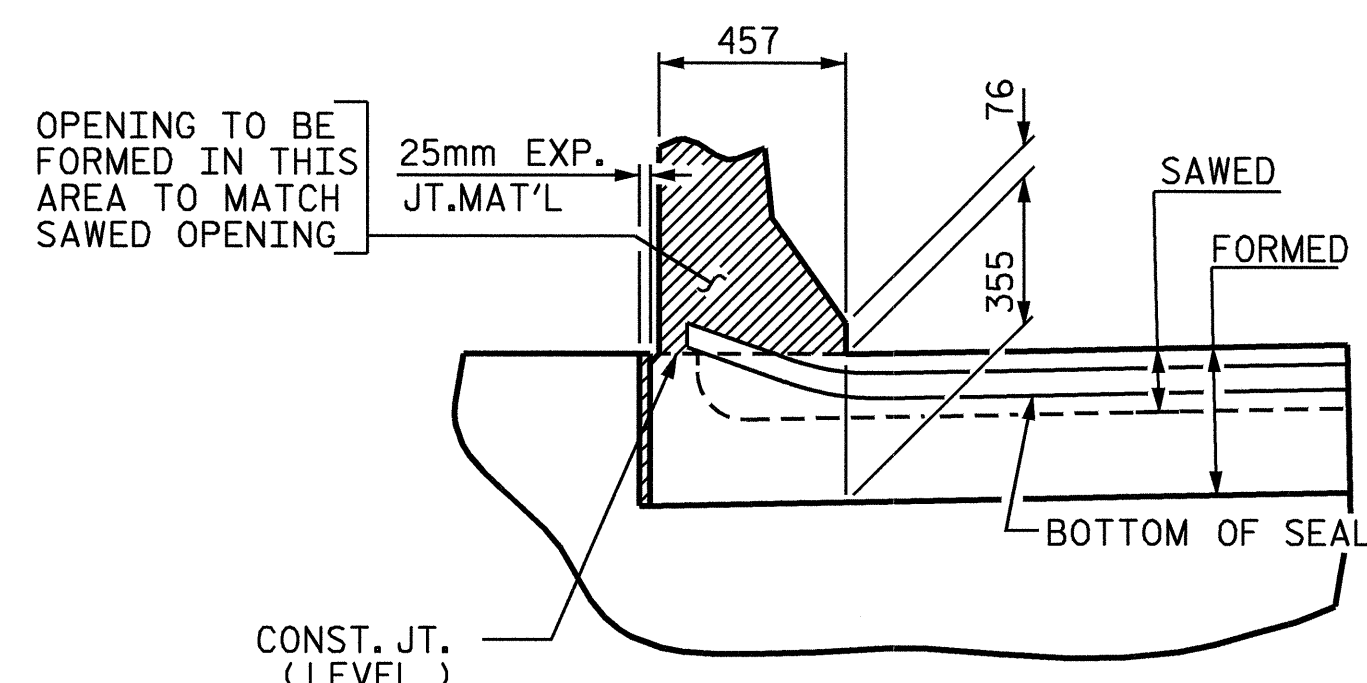
SECTION S-S



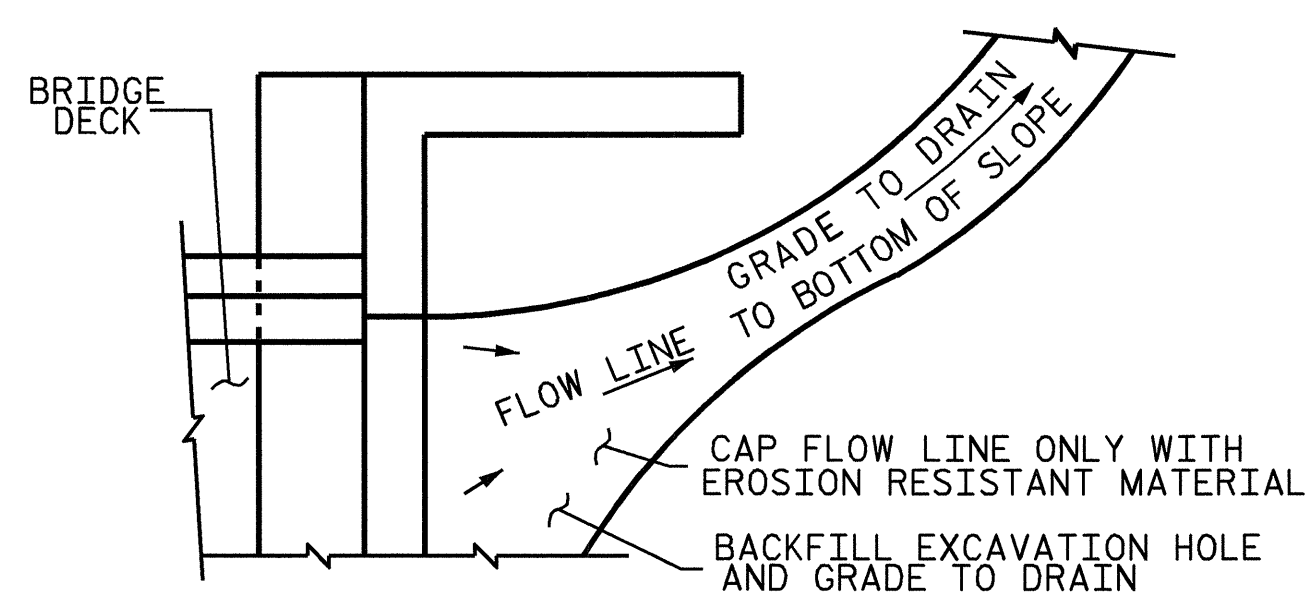
SECTION C-C
EVAZOTE JOINT SEAL
(PRE-SAWED ELASTOMERIC
CONCRETE DIMENSIONS)



SECTION A-A



SECTION B-B
JOINT SEAL DETAILS @ END BENT
(FOR BARRIER RAIL)



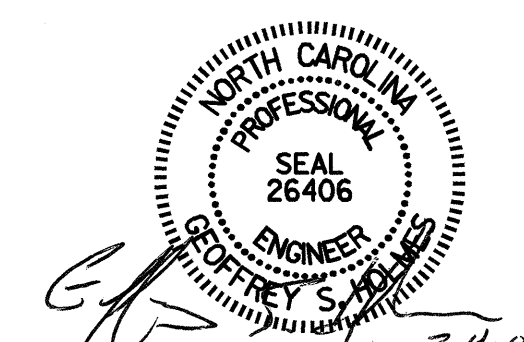
NOTE: IF THE APPROACH SLAB IS NOT CONSTRUCTED IMMEDIATELY AFTER THE BACKFILLING OF THE END BENT EXCAVATION, GRADE TO DRAIN TO THE BOTTOM OF THE SLOPE AND PROVIDE EROSION RESISTANT MATERIAL, SUCH AS FIBERGLASS ROVING OR AS DIRECTED BY THE ENGINEER TO PREVENT SOIL EROSION AND TO PROTECT THE AREA ADJACENT TO THE STRUCTURE. THE CONTRACTOR WILL BE REQUIRED TO REMOVE THESE MATERIALS PRIOR TO CONSTRUCTION OF THE APPROACH SLAB.

TEMPORARY DRAINAGE DETAIL

PROJECT NO. R-2552B
JOHNSTON COUNTY
STATION: 14+72.000-Y11-REV.

SHEET 4 OF 4

STATE OF NORTH CAROLINA
DEPARTMENT OF TRANSPORTATION
RALEIGH
**STANDARD
BRIDGE APPROACH SLAB
DETAILS**



ASSEMBLED BY : R.D. MARTIN	DATE : 5/13/04
CHECKED BY : H.A. LUCAS	DATE : 2/18/05
DRAWN BY : FCJ 11/88	REV. 7/17/98 RWW/LES
CHECKED BY : ARB 11/88	REV. 8/16/99 RAL/LES
	REV. 10/17/00R RWW/LES

REVISIONS					SHEET NO.
NO.	BY:	DATE:	NO.	BY:	DATE:
1			3		
2			4		

TOTAL SHEETS: 4/31