

NOTES

FOR ELASTOMERIC BEARINGS, SEE SPECIAL PROVISIONS.

AT ALL FIXED POINTS OF SUPPORT, NUTS FOR ANCHOR BOLTS ARE TO BE TIGHTENED FINGER TIGHT AND THEN BACKED OFF 1/2 TURN. THE THREAD OF THE NUT AND BOLT SHALL THEN BE BURRED WITH A SHARP POINTED TOOL.

THE 51mm Ø PIPE SLEEVE SHALL BE CUT FROM SCHEDULE 40 PVC PLASTIC PIPE. THE PVC PLASTIC PIPE SHALL MEET THE REQUIREMENTS OF ASTM D1785.

STEEL SOLE PLATES, ANCHOR BOLTS, NUTS, AND WASHERS SHALL BE GALVANIZED IN ACCORDANCE WITH THE STANDARD SPECIFICATIONS.

PRIOR TO WELDING, GRIND THE GALVANIZED SURFACE OF THE PORTION OF THE EMBEDDED PLATE AND SOLE PLATE THAT ARE TO BE WELDED. AFTER WELDING, DAMAGED GALVANIZED SURFACES SHALL BE REPAIRED IN ACCORDANCE WITH THE STANDARD SPECIFICATIONS.

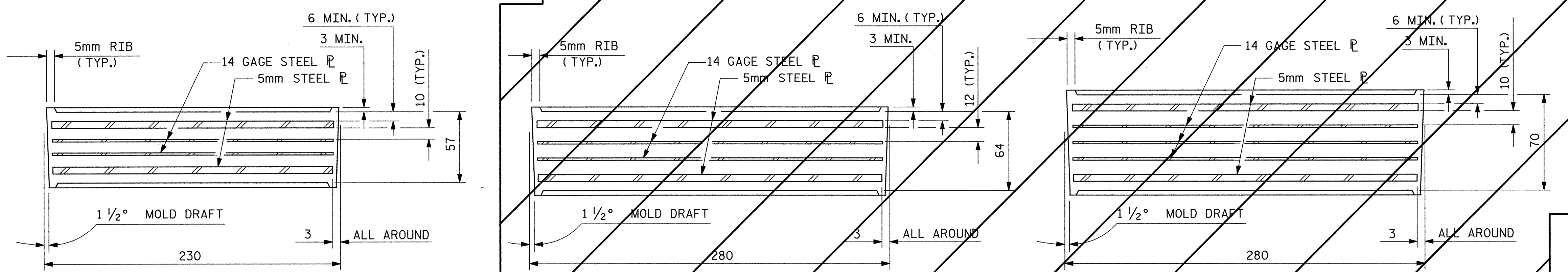
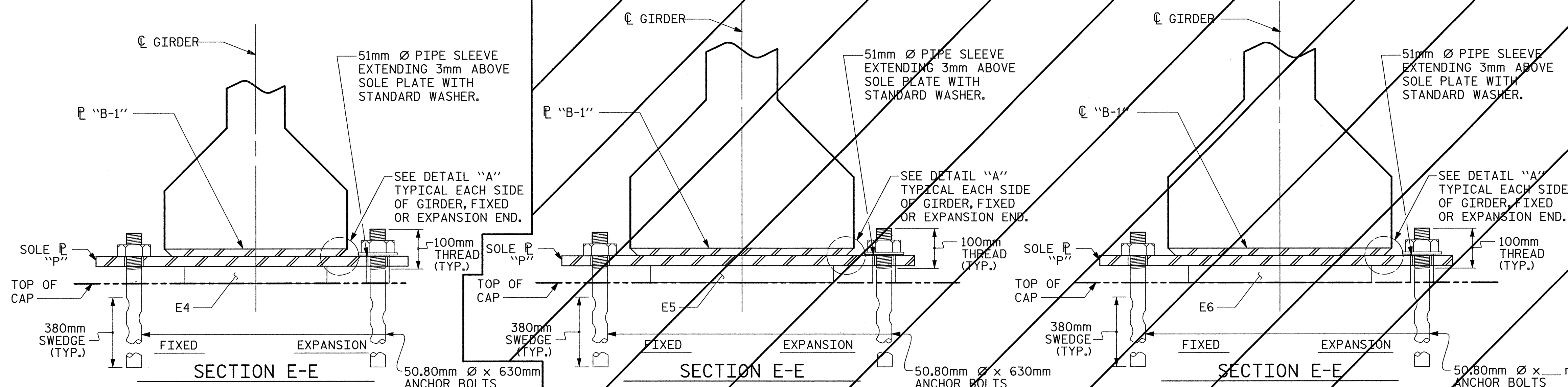
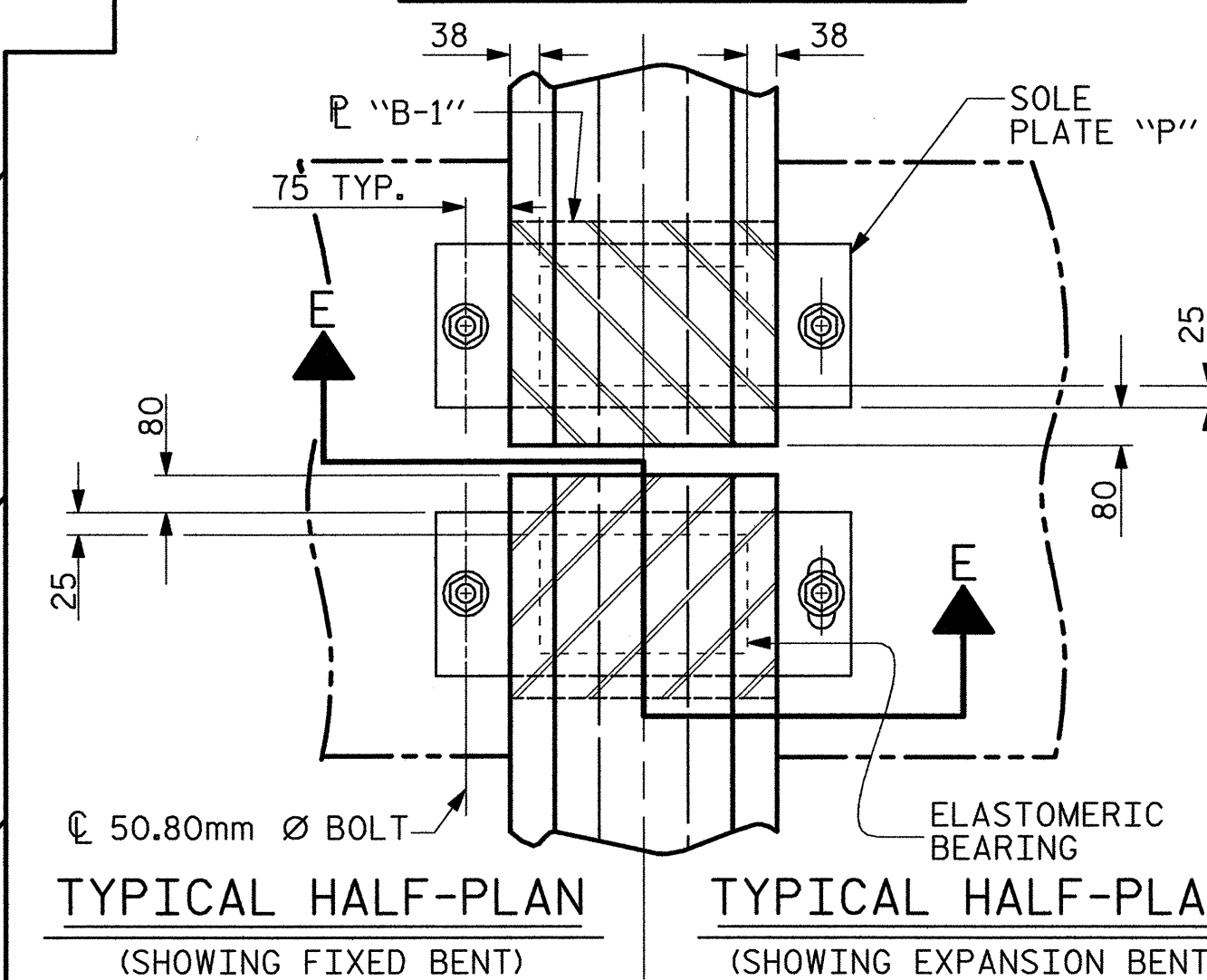
WHEN WELDING THE SOLE PLATE TO THE EMBEDDED PLATE IN THE GIRDER, USE TEMPERATURE INDICATING WAX PENS, OR OTHER SUITABLE MEANS, TO ENSURE THAT THE TEMPERATURE OF THE SOLE PLATE DOES NOT EXCEED 149°C. TEMPERATURES ABOVE THIS MAY DAMAGE THE ELASTOMER.

SOLE PLATE "P", BOLTS, NUTS, WASHERS, AND PIPE SLEEVE SHALL BE INCLUDED IN THE PAY ITEM FOR PRESTRESSED CONCRETE GIRDERS.

ANCHOR BOLTS SHALL MEET THE REQUIREMENTS OF ASTM A449. NUTS SHALL MEET THE REQUIREMENTS OF AASHTO M291M-12 OR AASHTO M292M-2H. WASHERS SHALL MEET THE REQUIREMENTS OF AASHTO M293M. SHOP DRAWINGS ARE NOT REQUIRED FOR ANCHOR BOLTS, NUTS AND WASHERS. SHOP INSPECTION IS REQUIRED.

ALL SURFACES OF BEARING PLATES SHALL BE SMOOTH AND STRAIGHT.

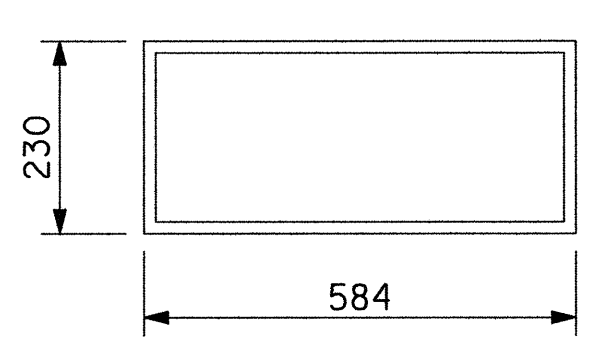
LOAD RATINGS	
	MAX.D.L.+ L.L.
TYPE V	801 kN
TYPE VI	936 kN
TYPE VII	1174 kN



TYPICAL SECTION OF ELASTOMERIC BEARINGS

TYPICAL SECTION OF ELASTOMERIC BEARINGS

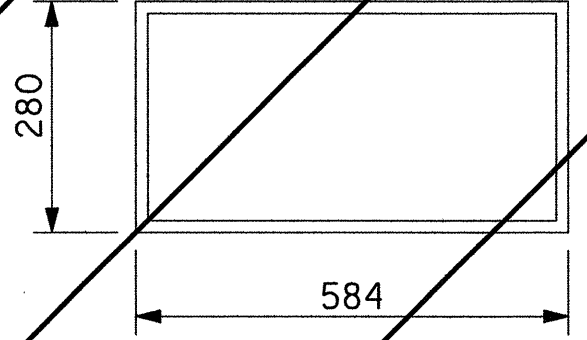
TYPICAL SECTION OF ELASTOMERIC BEARINGS



E4 (48 REQ'D)

PLAN VIEW OF ELASTOMERIC BEARING

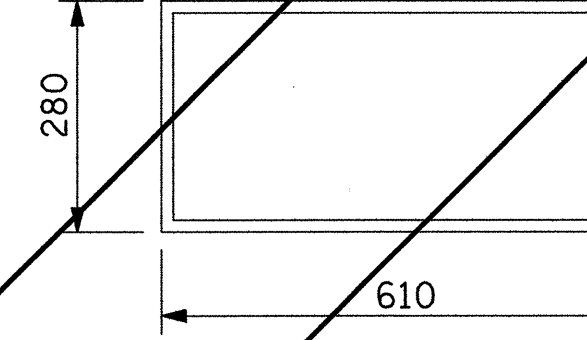
TYPE V



E5 (48 REQ'D)

PLAN VIEW OF ELASTOMERIC BEARING

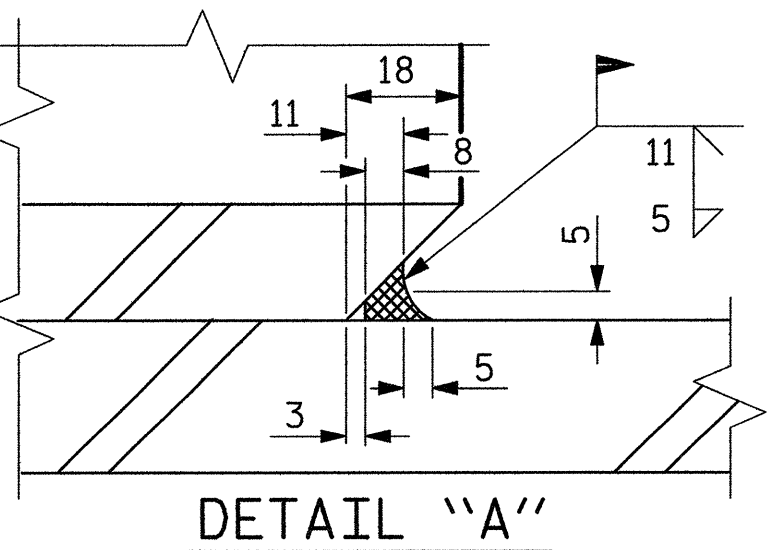
TYPE VI



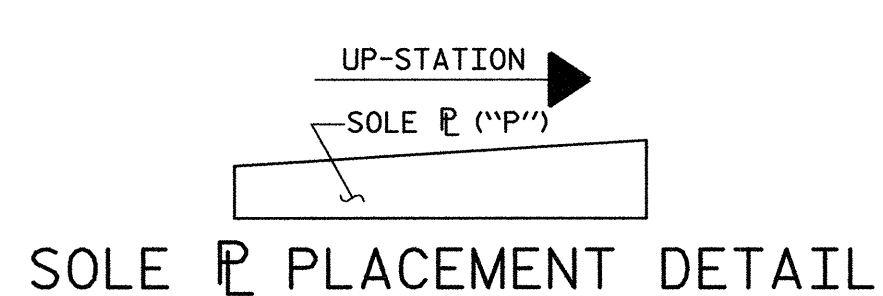
E6 (_ REQ'D)

PLAN VIEW OF ELASTOMERIC BEARING

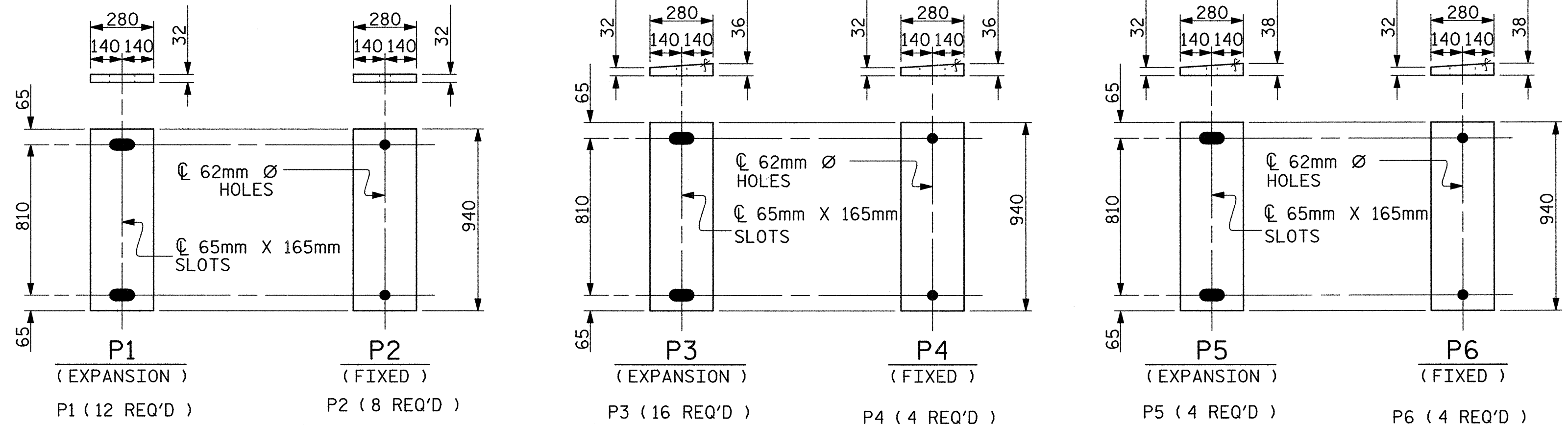
TYPE VII



DETAIL "A"



SOLE PLATE PLACEMENT DETAIL



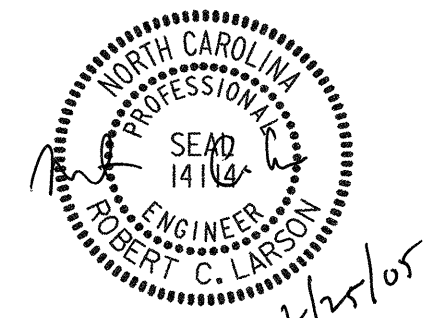
SOLE PLATE DETAILS ("P")

PLANS PREPARED BY:

MULKEY
ENGINEERS & CONSULTANTS

RD Box 33137
Raleigh, NC 27636
(919) 851-1918 (FAX)
WWW.MULKEYINC.COM

THIS STANDARD DRAWING REVIEWED & ADOPTED FOR USE AT THE REFERENCED LOCATION BY THE UNDERSIGNED:



PROJECT NO. R-2552C
JOHNSTON COUNTY
 STATION: 109+56.000 -L2LT- POT

STATE OF NORTH CAROLINA
 DEPARTMENT OF TRANSPORTATION
 RALEIGH
STANDARD ELASTOMERIC BEARING DETAILS
 PRESTRESSED CONCRETE GIRDER SUPERSTRUCTURE (LEFT LANE)
 STD. NO. EB4SM

REVISIONS				SHEET NO.
NO.	BY:	DATE:	NO.	DATE:
1			3	
2			4	

TOTAL SHEETS: 4/31

REFERENCE NO. BL-16

02/21/2005 01:05:52 AM n:\Structures\Site\Leff.Lone\2552C-SD_B6.dwg

ASSEMBLED BY: W.B. ALLEN DATE: 9/04
 CHECKED BY: R.C. LARSON DATE: 1/05
 DRAWN BY: EEM 2/97 REV. 7/17/98 RWW/LES
 CHECKED BY: VAP 2/97 REV. 8/16/99 RWW/LES
 REV. 10/17/00 RWW/LES