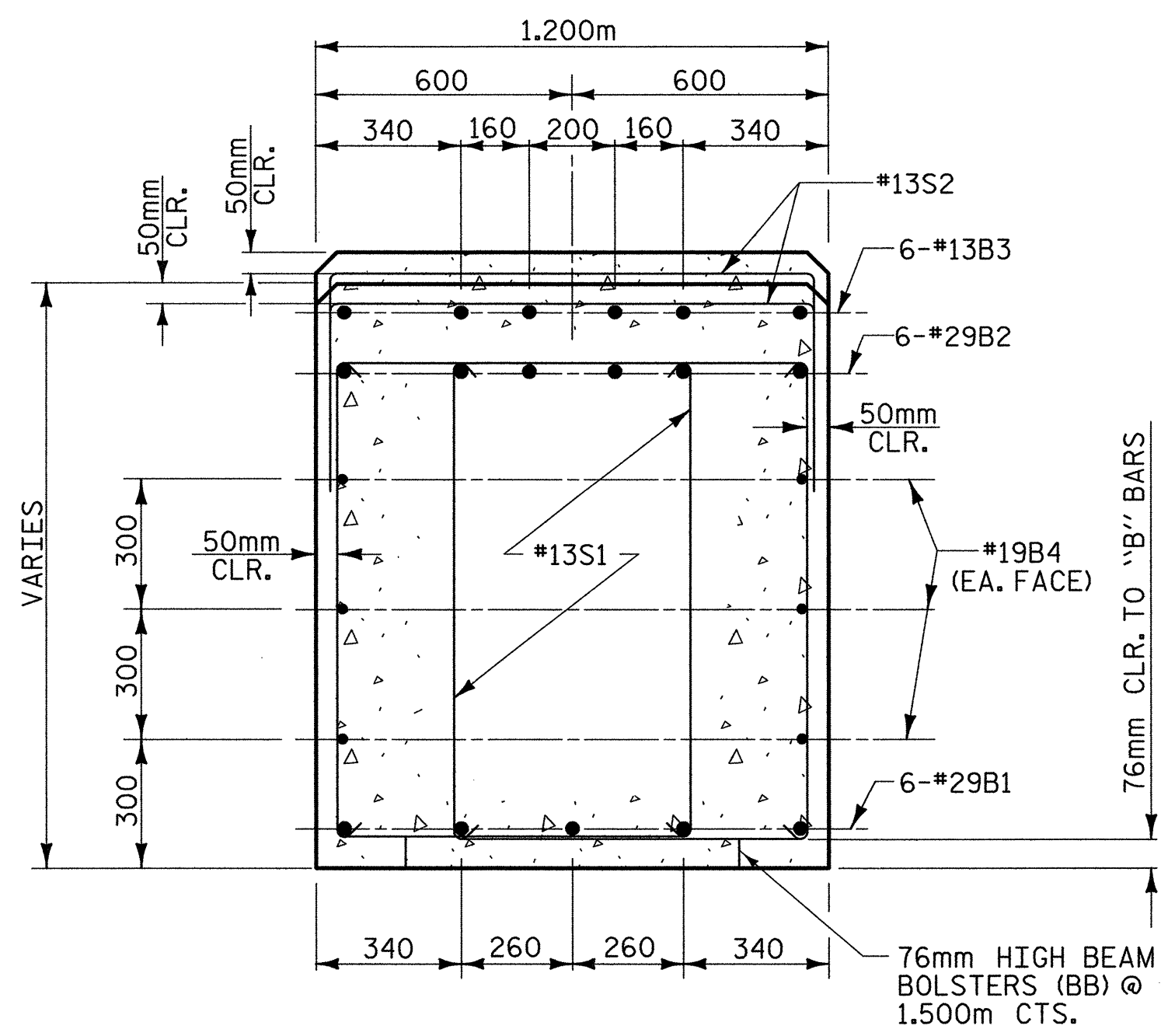
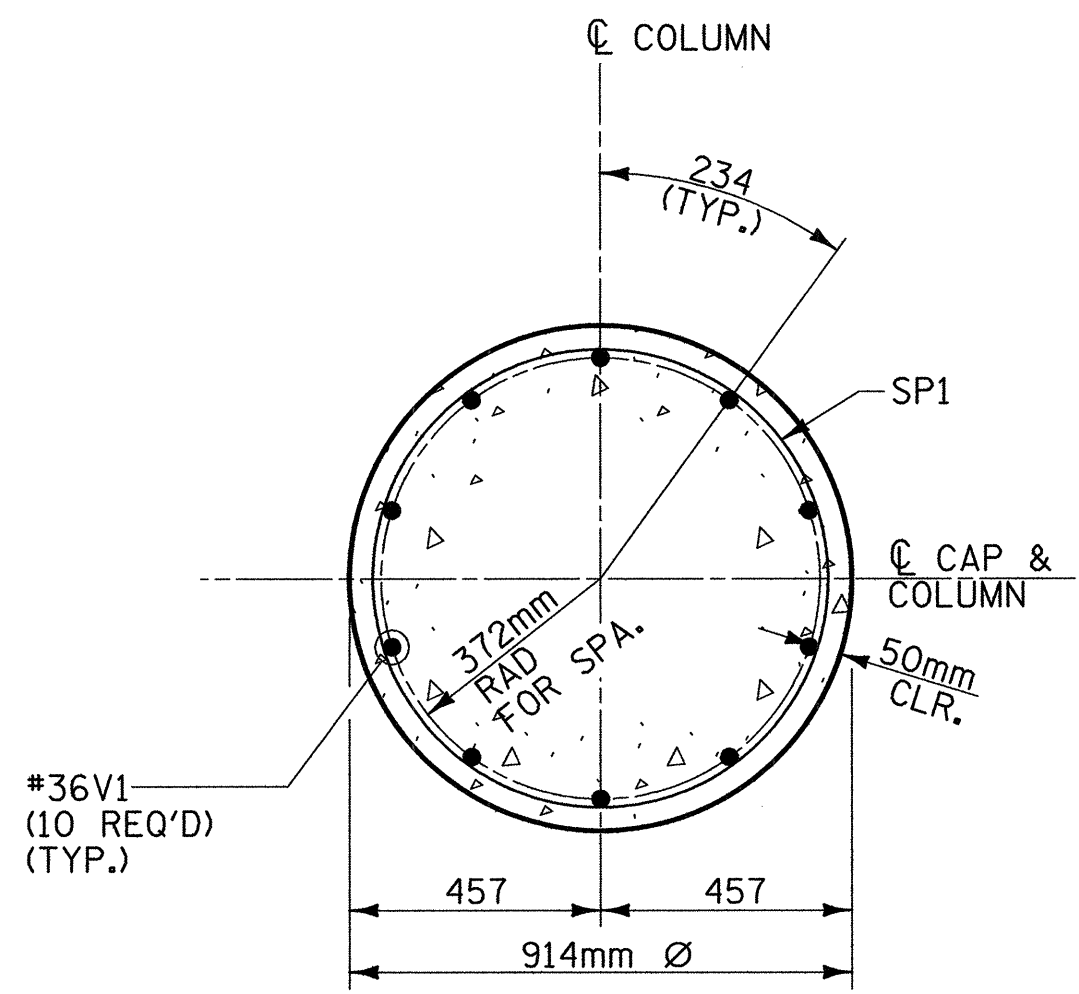


SECTION A-A



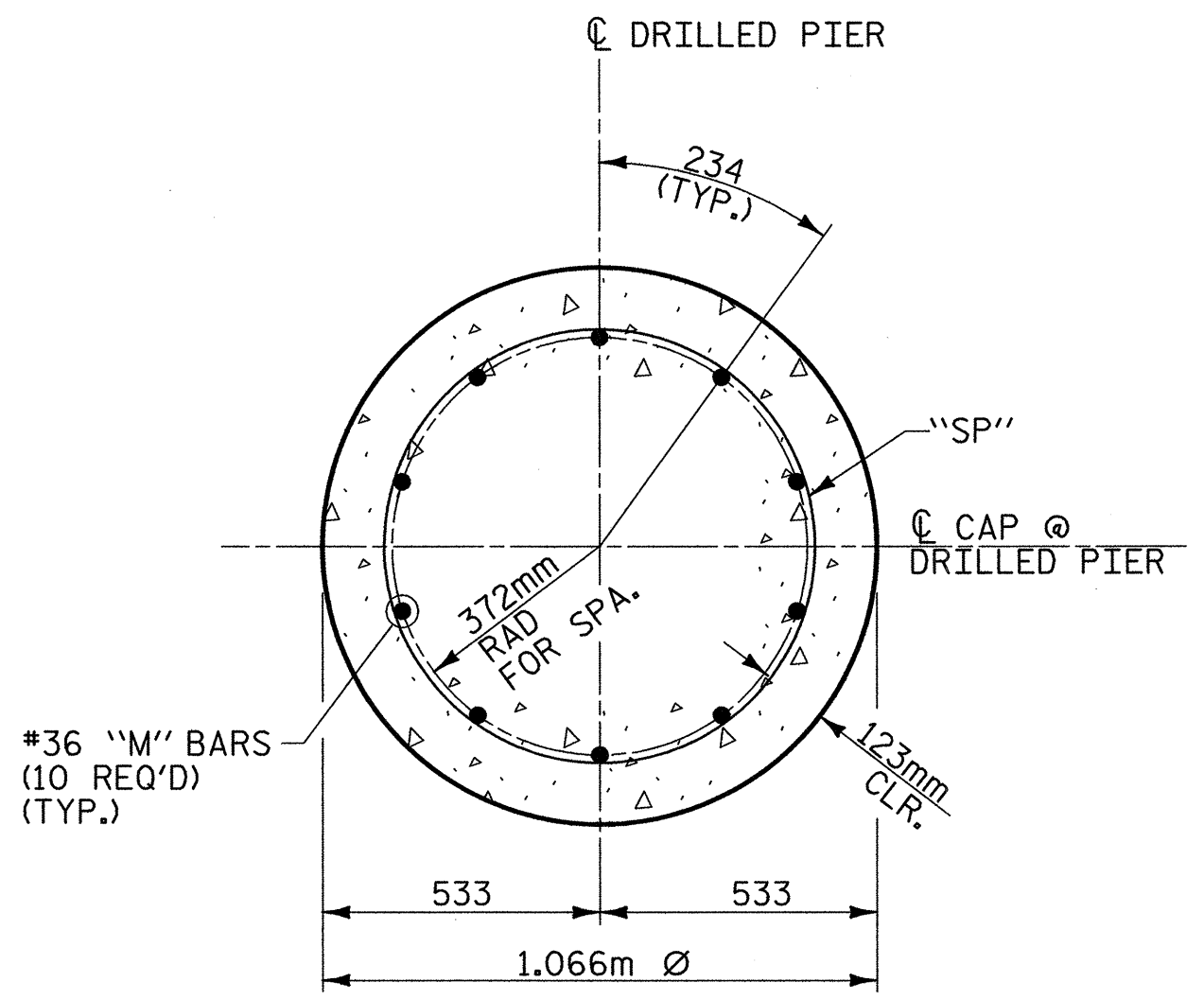
SECTION B-B

NOTES:
 STIRRUPS IN THE CAP MAY BE SHIFTED AS NECESSARY TO CLEAR ANCHOR BOLTS.
 HOOKS ON "V" BARS MAY BE TURNED AS NECESSARY FOR PLACING REINFORCING STEEL.
 THE CONTRACTOR'S ATTENTION IS CALLED TO THE FACT THAT THE LONGITUDINAL REINFORCEMENT FOR THE DRILLED PIERS IS DETAILED WITH ONE METER OF EXTRA LENGTH.
 ALL STEEL IN THE DRILLED PIERS IS INCLUDED IN THE PAY ITEMS FOR "REINFORCING STEEL" AND "SPIRAL COLUMN REINFORCING STEEL".
 FOR PERMANENT STEEL CASING, SEE SPECIAL PROVISIONS FOR DRILLED PIERS.



SECTION THRU COLUMN

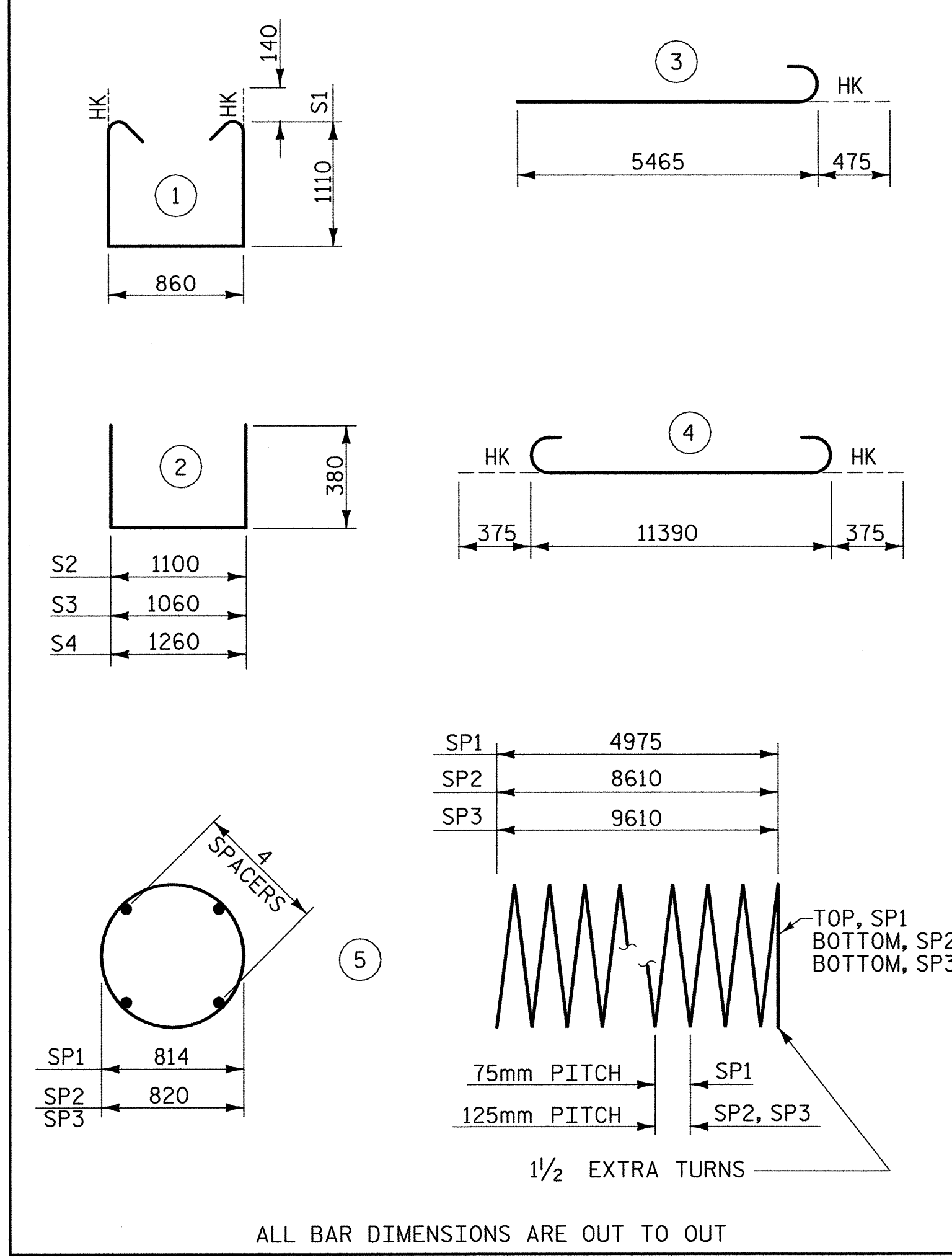
(ALL COLUMNS SIMILAR)
 (SEE ELEVATION FOR BAR MARKS)



SECTION THRU DRILLED PIER

(ALL DRILLED PIERS OTHER COLUMNS SIMILAR)
 (SEE ELEVATION FOR BAR MARKS)

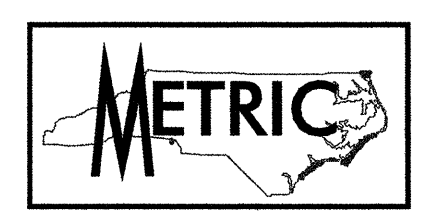
BAR TYPES



ALL BAR DIMENSIONS ARE OUT TO OUT
 ** THE SP1 SPIRAL REINFORCING STEEL SHALL BE W20 OR D-20 COLD DRAWN WIRE OR #13 PLAIN OR DEFORMED BAR
 THE SP2 & SP3 SPIRAL REINFORCING STEEL SHALL BE W31 OR D-31 COLD DRAWN WIRE OR #16 PLAIN OR DEFORMED BAR

BILL OF MATERIAL

FOR BENT 1					
BAR	NO.	SIZE	TYPE	LENGTH	WEIGHT
B1	5	#29	STR	11400	226
B2	6	#29	4	12140	289
B3	6	#13	STR	4500	27
B4	6	#19	STR	11400	153
M1	20	#36	STR	11940	1888
M2	10	#36	STR	12940	1023
S1	84	#13	1	3360	281
S2	33	#13	2	1860	61
S3	14	#13	2	1820	25
S4	4	#13	2	2020	8
V1	30	#36	3	5940	1409
TOTAL REINFORCING STEEL =				5390 kg	
SP1	3	**	5	166788	497
SP2	2	**	5	173761	539
SP3	1	**	5	193942	301
SPIRAL COLUMN REINFORCING STEEL =				1337 kg	
CLASS "A" CONCRETE - CU. METERS					
POUR 2 (COLUMNS)				9.6 C.M.	
POUR 3 (CAP)				18.0 C.M.	
TOTAL				27.6 C.M.	
DRILLED PIER @ BENT 1					
1066mm DIA. DRILLED PIERS IN SOIL =				19.6 LIN M.	
1066mm DIA. DRILLED PIERS NOT IN SOIL =				7.3 LIN M.	
PERMANENT STEEL CASING FOR 1066mm DIA. DRILLED PIER =				10.9 LIN M.	
CROSSHOLE SONIC LOGGING =				1 EA.	
CSL TUBES =				117.7 LIN M.	
DRILLED PIER CONC. (FOR INFORMATION ONLY) =				24.0 C.M.	

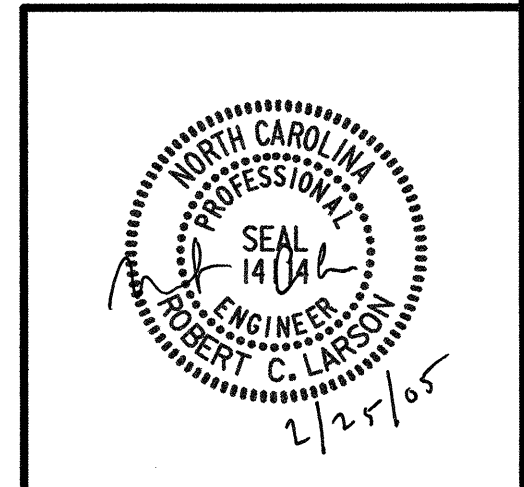


PROJECT NO. R-2552C
 JOHNSTON COUNTY
 STATION: 109+56.000 -L2LT- POT

SHEET 2 OF 2

STATE OF NORTH CAROLINA
 DEPARTMENT OF TRANSPORTATION
 RALEIGH

SUBSTRUCTURE BENT 1 (LEFT LANE)



PLANS PREPARED BY:
MULKEY ENGINEERS & CONSULTANTS
 P.O. Box 23127
 Raleigh, N.C. 27636
 (919) 851-1912
 (919) 851-1312 (FAX)
 WWW.MULKEYINC.COM

REVISIONS					SHEET NO.
NO.	BY:	DATE:	NO.	BY:	DATE:
1			3		
2			4		

TOTAL SHEETS: 431

REFERENCE NO. BL-25

02/21/2005 09:14:2 AM r:\structures\sthe\l\eff\lone\2552c\sd\bl-02.dgn