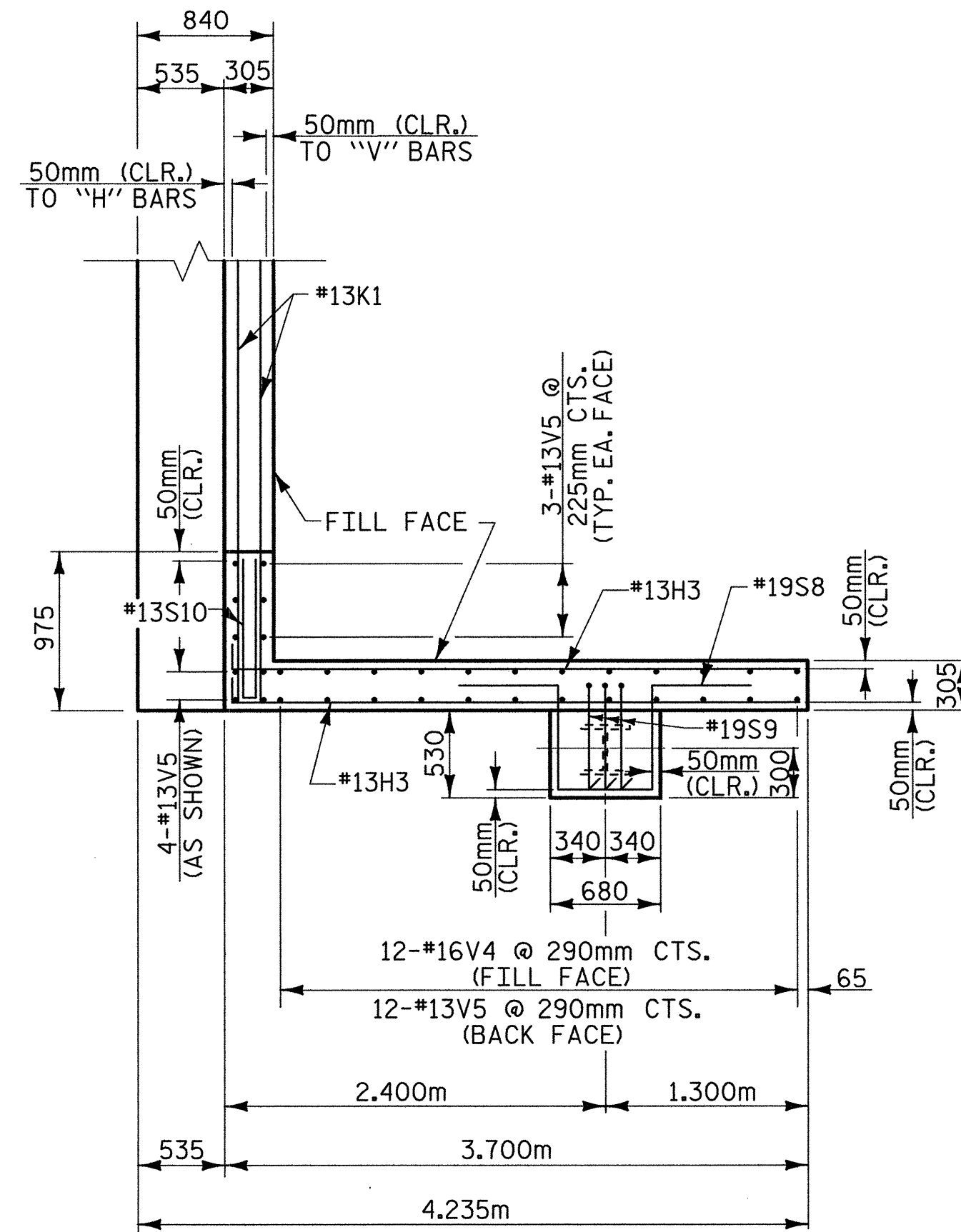
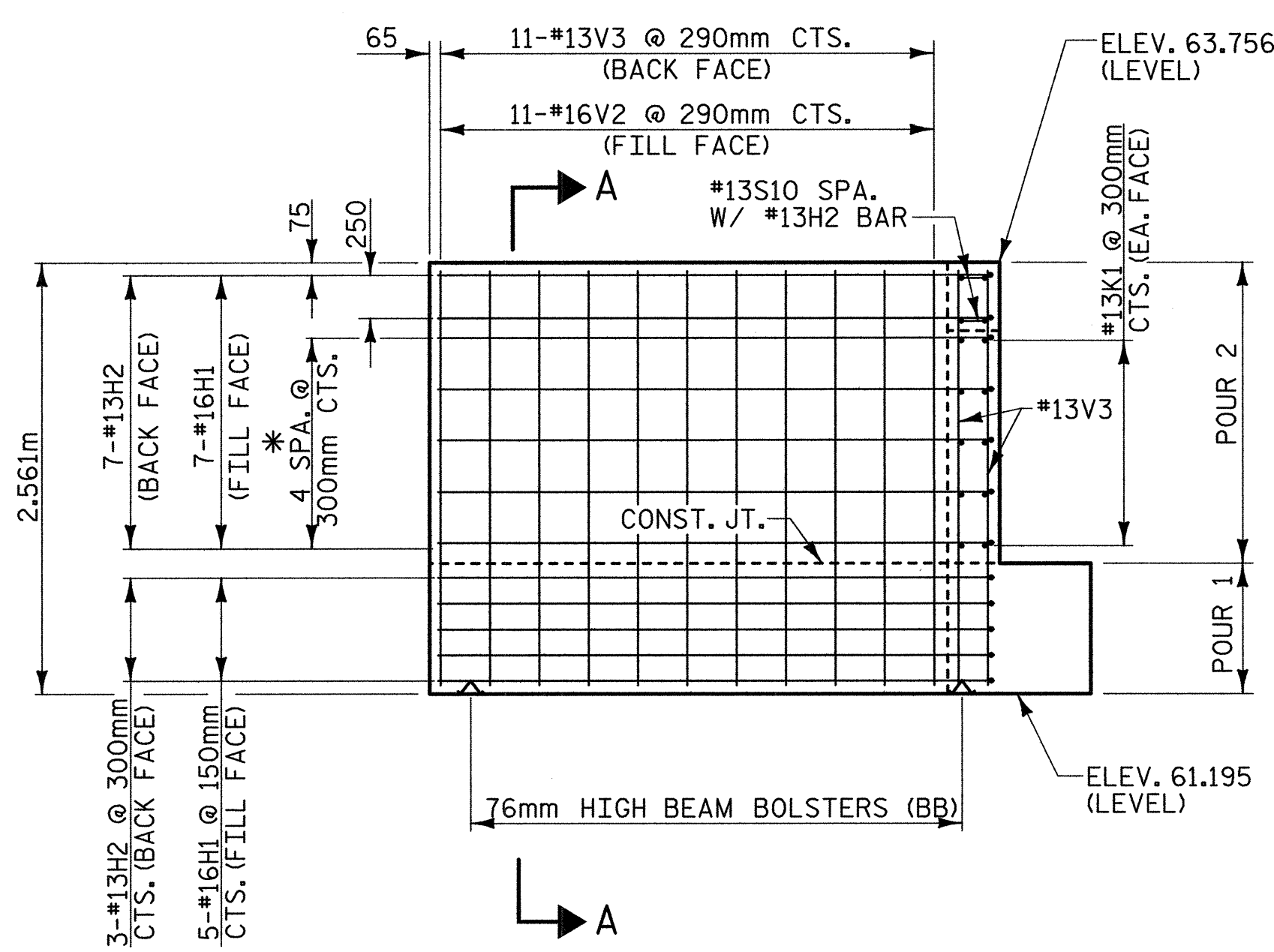


W1 PLAN OF LEFT WING

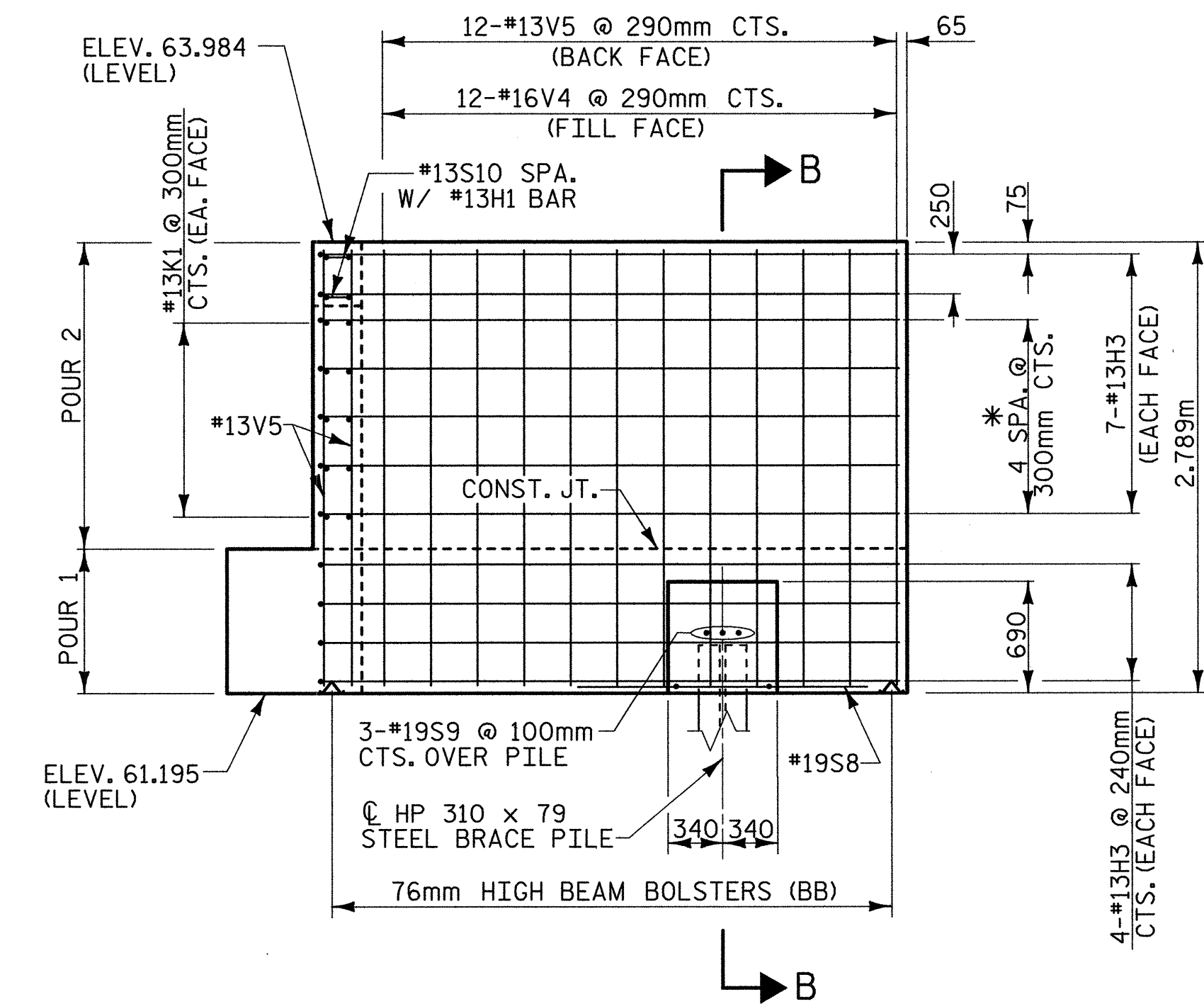


W2 PLAN OF RIGHT WING

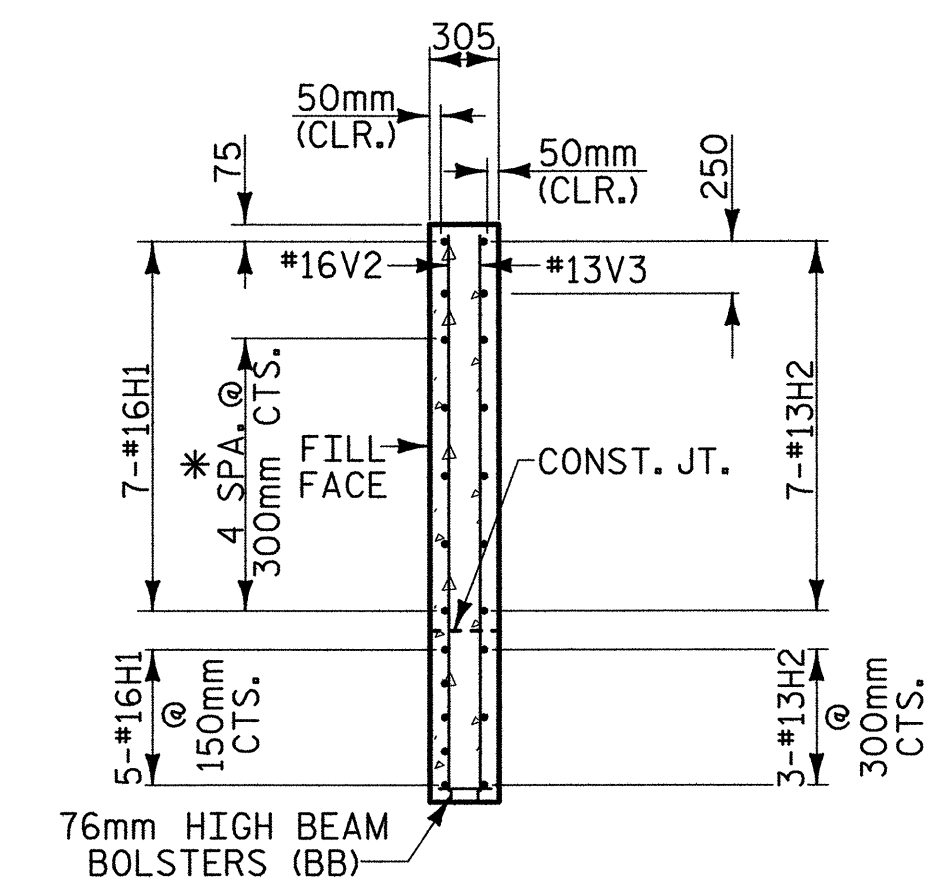
* MATCH "H" BARS TO "K" BARS IN BACKWALL AS SHOWN



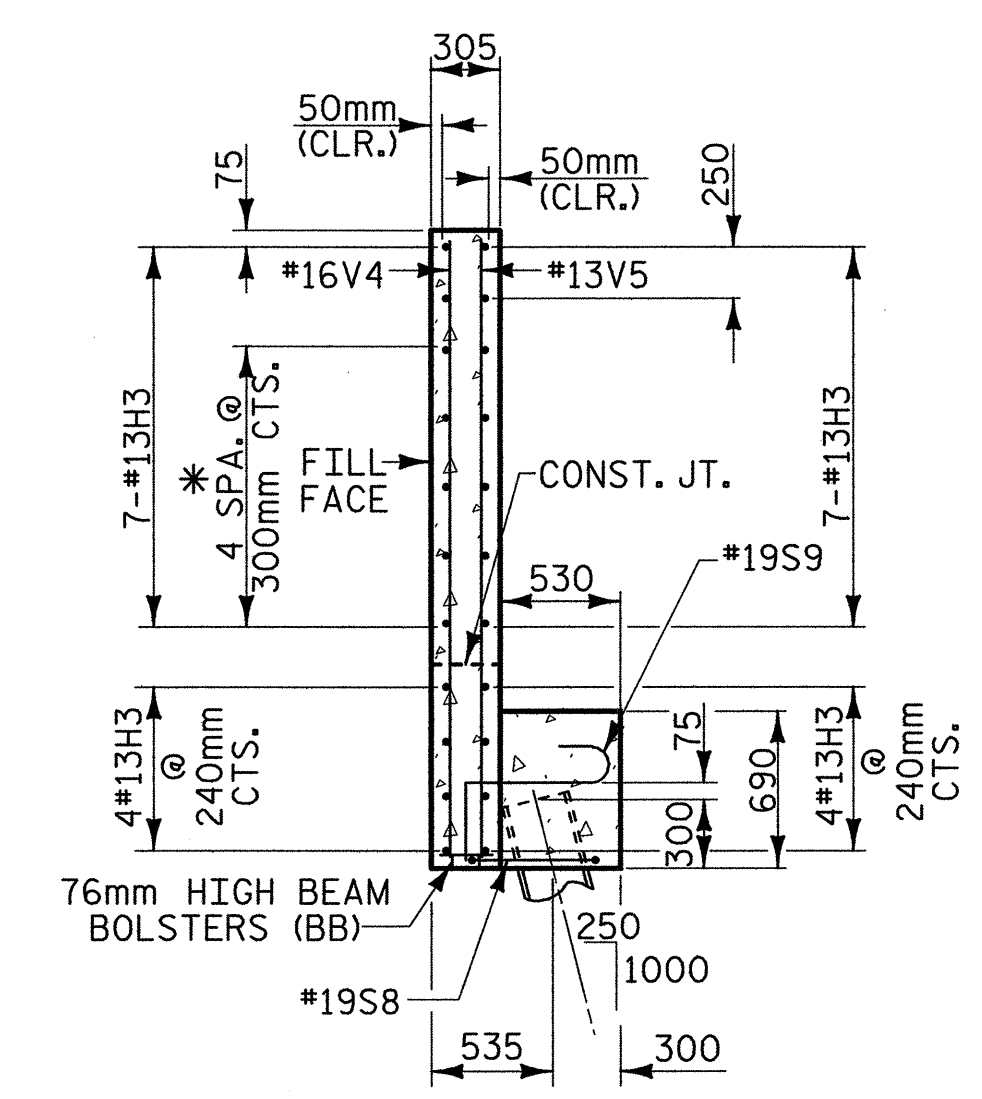
W1 ELEVATION OF LEFT WING



W2 ELEVATION OF RIGHT WING



SECTION A-A



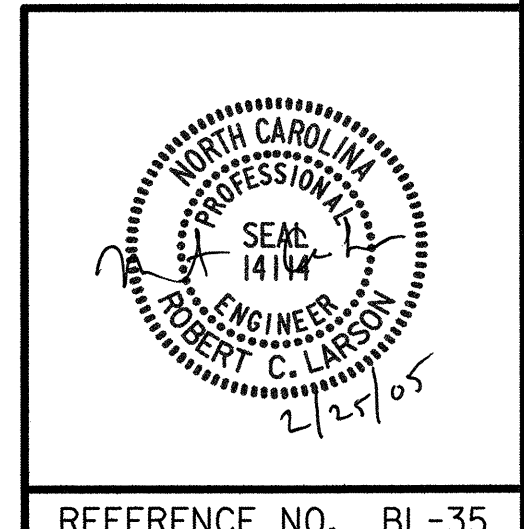
SECTION B-B



PROJECT NO. R-2552C
 JOHNSTON COUNTY
 STATION: 109+56.000 -L2LT- POT

SHEET 2 OF 3

STATE OF NORTH CAROLINA
 DEPARTMENT OF TRANSPORTATION
 RALEIGH
 SUBSTRUCTURE
 END BENT 2
 (LEFT LANE)



REVISIONS				SHEET NO.	
NO.	BY:	DATE:	NO.	BY:	DATE:
1			3		
2			4		

REFERENCE NO. BL-35

02/21/2005 07:24:58 AM C:\Structures\Site\Left Lane\R2552C-SD-E2.dgn

DRAWN BY: J. P. SHERMAN DATE: 11/04
 CHECKED BY: R. C. LARSON DATE: 12/04