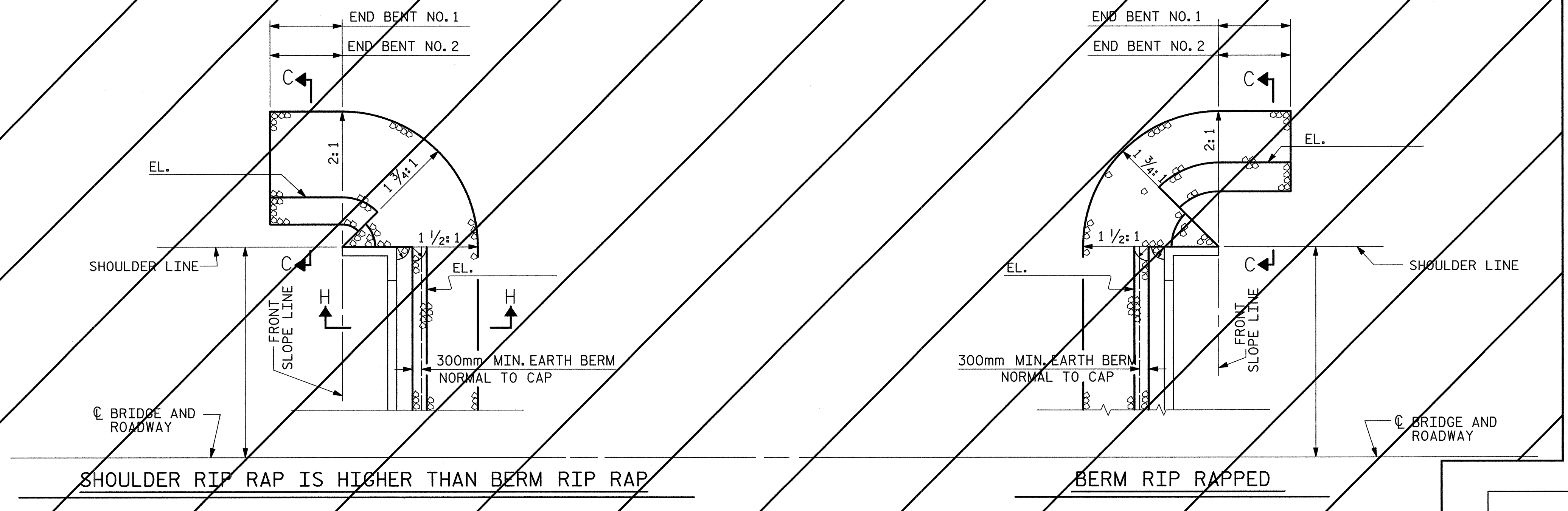
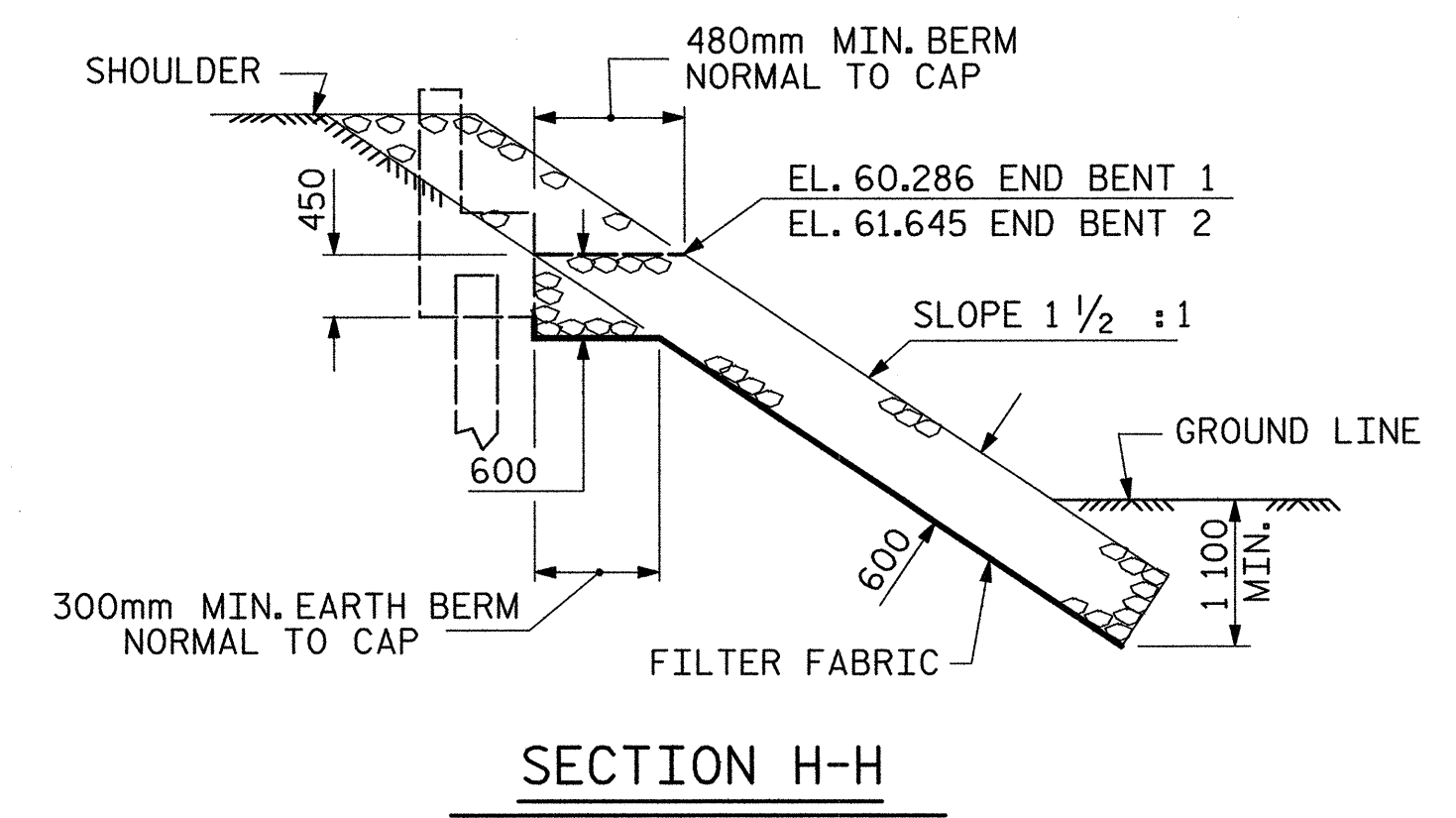


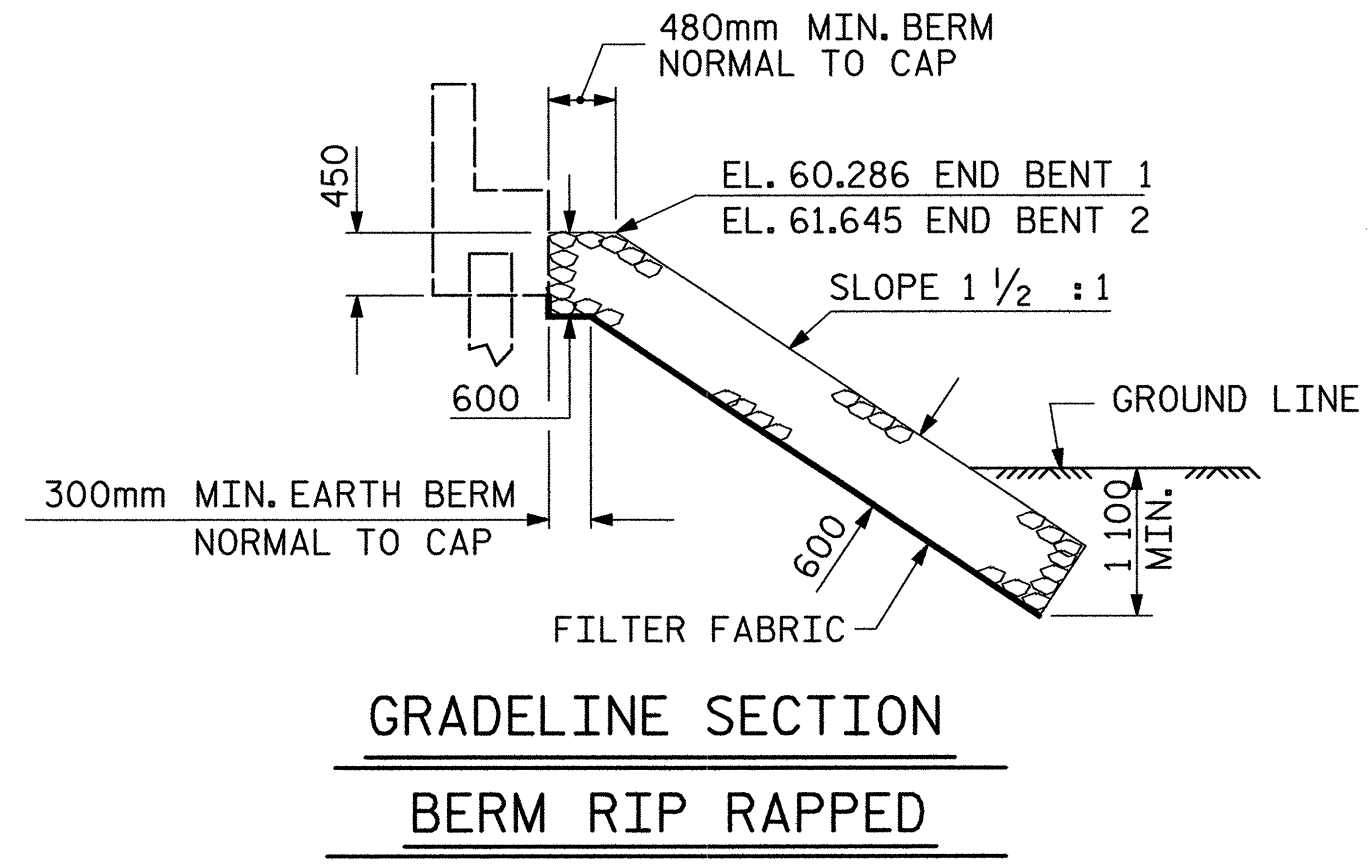
**NOTES :**  
FOR BERM WIDTH DIMENSIONS, SEE GENERAL DRAWING.



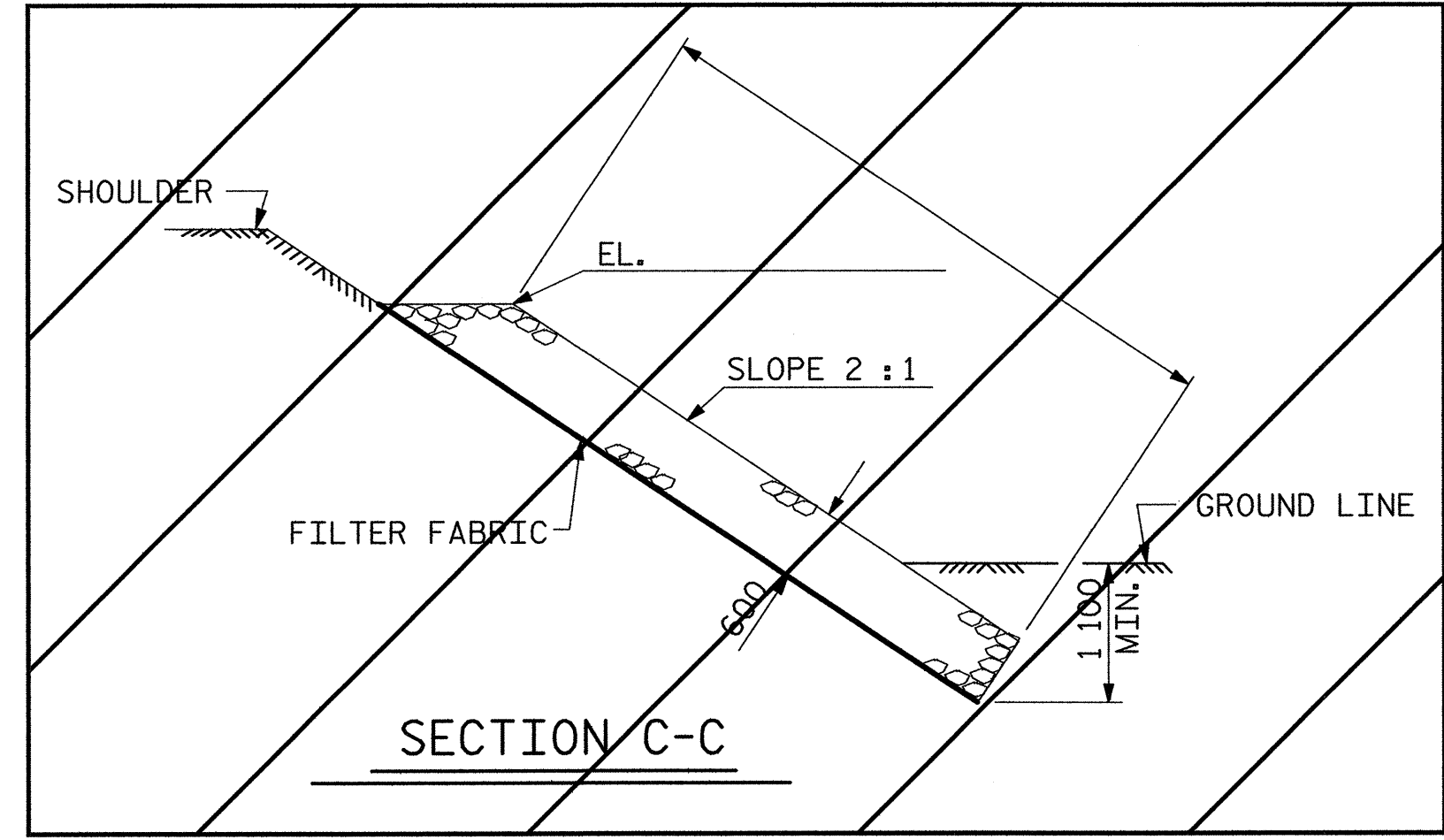
ESTIMATED QUANTITIES		
BRIDGE @ STA. 109+56.000 -L2LT- (LEFT LANE)	PLAIN RIP RAP CLASS II	FILTER FABRIC FOR DRAINAGE
	METRIC TON	SQUARE METERS
END BENT 1	100	100
END BENT 2	420	420



**SECTION H-H**



**GRADELINE SECTION  
BERM RIP RAPPED**



**SECTION C-C**

PROJECT NO. R-2552C  
JOHNSTON COUNTY  
STATION: 109+56.000 -L2LT- POT

SHEET 2 OF 2

STATE OF NORTH CAROLINA  
DEPARTMENT OF TRANSPORTATION  
RALEIGH

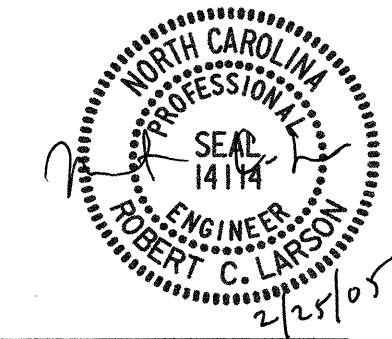
STANDARD  
RIP RAP DETAILS  
(LEFT LANE)

STD. NO. RR2SM

REVISIONS					
NO.	BY:	DATE:	NO.	BY:	DATE:
1			3		
2			4		

SHEET NO. S-221  
TOTAL SHEETS 431

THIS STANDARD DRAWING REVIEWED & ADOPTED FOR USE AT THE REFERENCED LOCATION BY THE UNDERSIGNED:



REFERENCE NO. BL-38

02/21/2005 01:32:08 AM r:\structures\Site\Left Lane\R2552C-SD\_RR\_02.dgn

ASSEMBLED BY : <u>W. B. ALLEN</u>	DATE : <u>1/05</u>
CHECKED BY : <u>R. C. LARSON</u>	DATE : <u>1/05</u>
DRAWN BY : <u>FCJ 2/88</u>	REV. 7/17/98 REK/RWW
CHECKED BY : <u>ARB 8/88</u>	REV. 8/16/99 RWW/LES
	REV. 10/17/00 RWW/LES