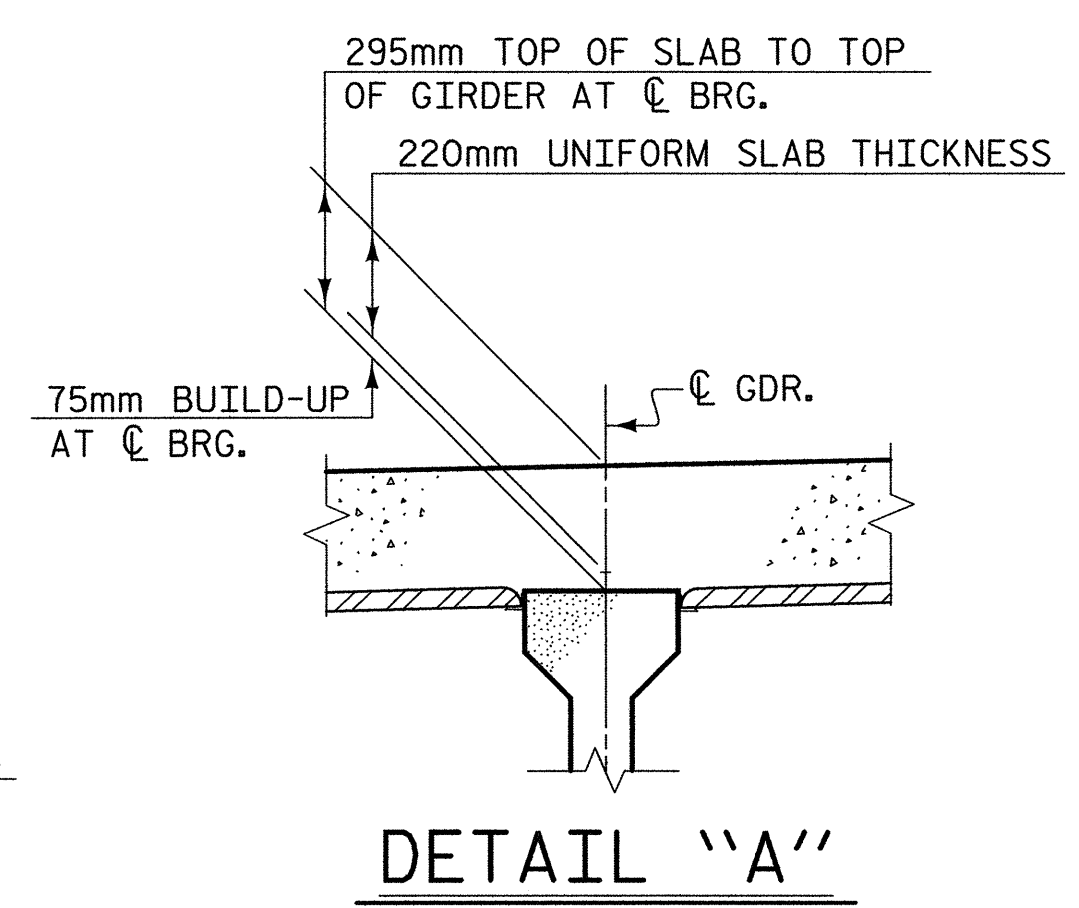
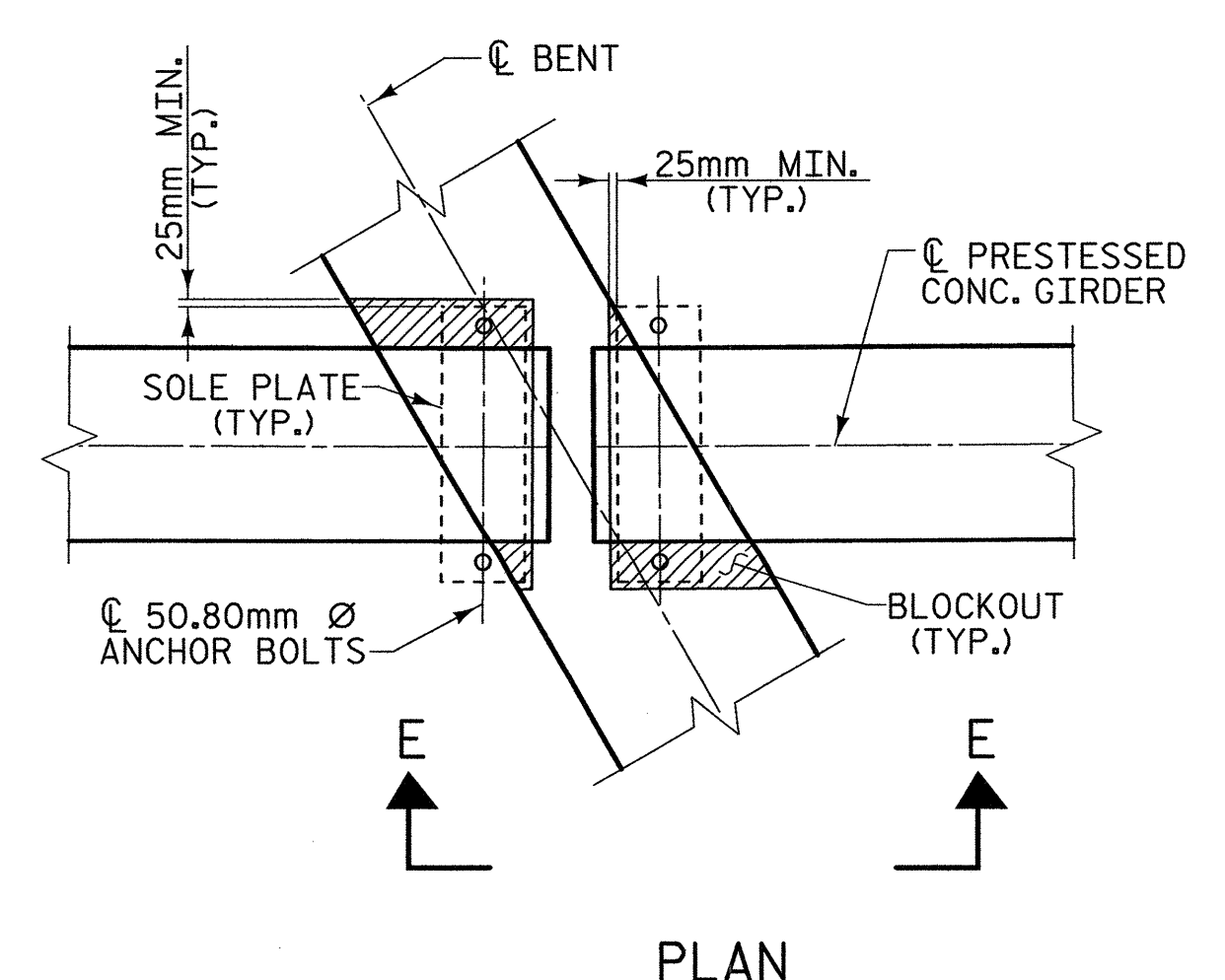
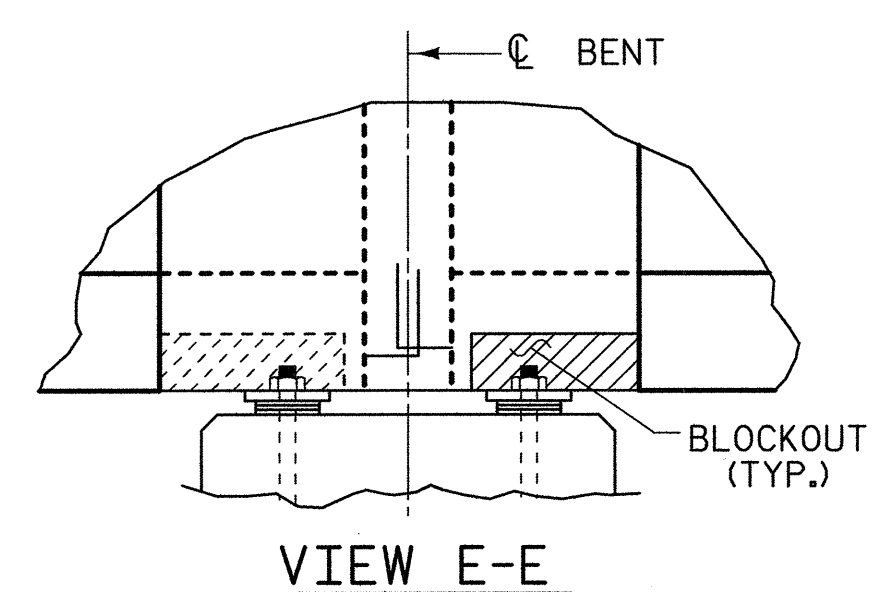


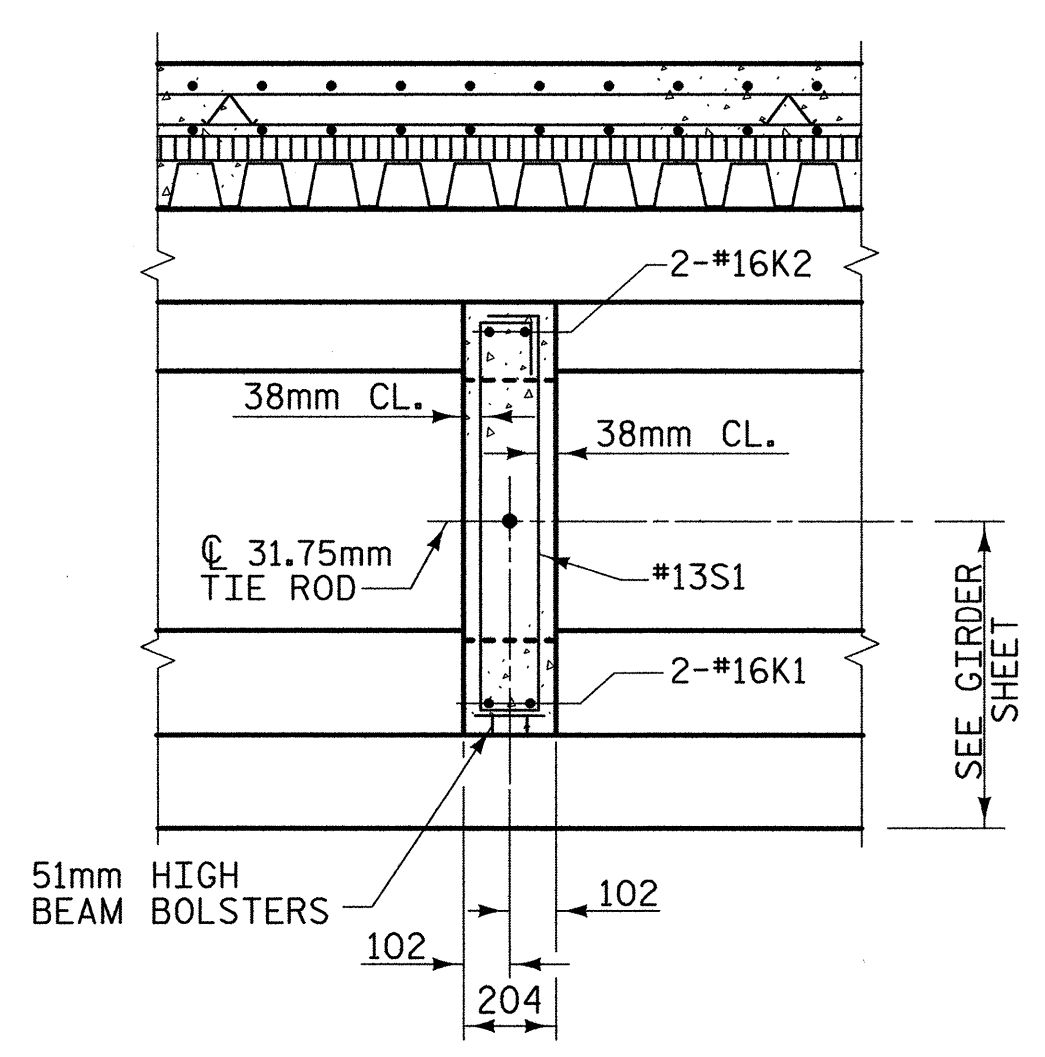
† RADIAL TO C -L2RT-
 †† BB HEIGHT SHOWN @ C BEARINGS
 VARIES IN SPAN DUE TO CAMBER
 ** DIMENSIONS SHOWN ARE RADIAL TO ARCS
 CONCENTRIC WITH C -L2RT-. GIRDERS ARE ON
 CHORDS OF CONCENTRIC ARCS.
 * EPOXY COATED REINFORCING STEEL



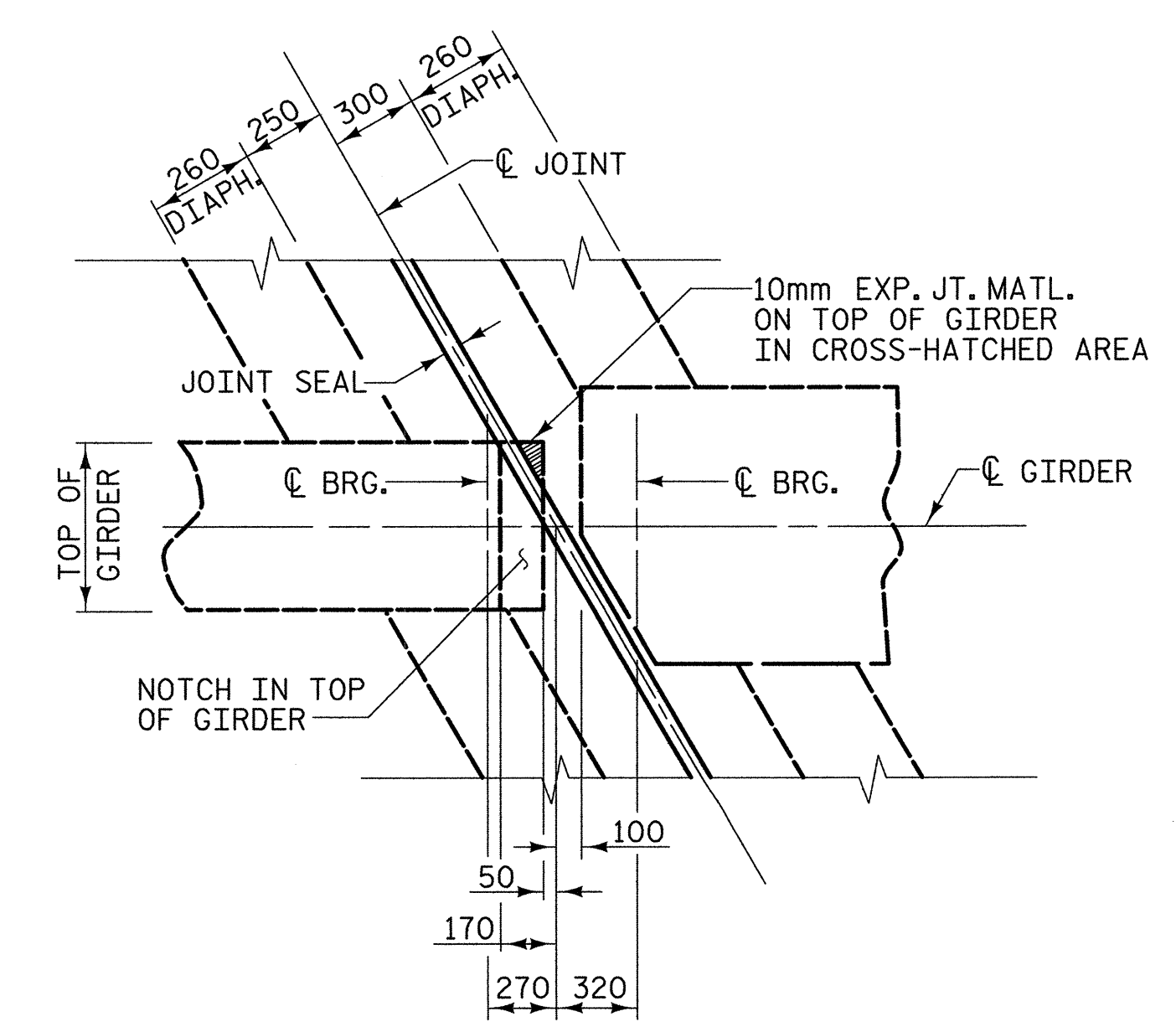
TYPICAL SECTION SPANS A & B
 (INTERMEDIATE DIAPHRAGMS)



BENT DIAPHRAGM BLOCKOUT DETAIL

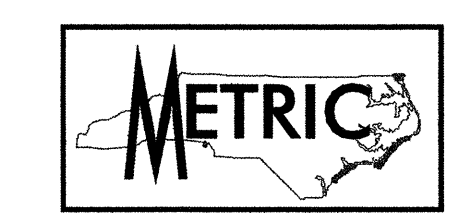


SECTION D-D



TYPICAL JOINT SEAL DETAIL

PLANS PREPARED BY:
MULKEY
 ENGINEERS & CONSULTANTS
 400 BOX 23120
 RALEIGH, N.C. 27636
 919 881-1111 FAX
 WWW.MULKEYINC.COM

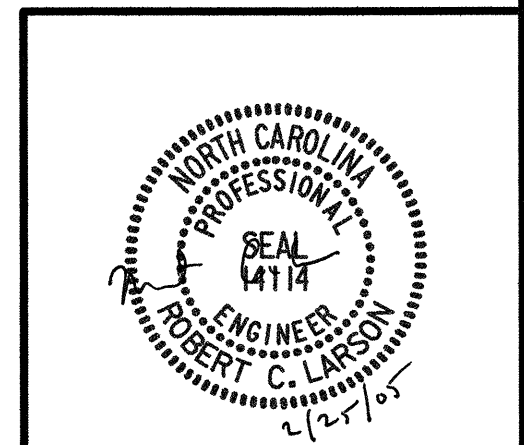


PROJECT NO. R-2552C
JOHNSTON COUNTY
 STATION: 110+37.000 -L2RT- POC

SHEET 2 OF 4

STATE OF NORTH CAROLINA
 DEPARTMENT OF TRANSPORTATION
 RALEIGH

**SUPERSTRUCTURE
 TYPICAL SECTION
 (RIGHT LANE)**



REVISIONS						SHEET NO.
NO.	BY:	DATE:	NO.	BY:	DATE:	
1			3			5-232
2			4			431

REFERENCE NO. BR-7

02/21/2005 12:52:29 PM C:\projects\2004\23-DIR-252AS\Structures\Site\Right_Lane\25232C-SD-TS-02.dgn