

**NOTES**

FOR ELASTOMERIC BEARINGS, SEE SPECIAL PROVISIONS.

AT ALL FIXED POINTS OF SUPPORT, NUTS FOR ANCHOR BOLTS ARE TO BE TIGHTENED FINGER TIGHT AND THEN BACKED OFF 1/2 TURN. THE THREAD OF THE NUT AND BOLT SHALL THEN BE BURRED WITH A SHARP POINTED TOOL.

THE 51mm Ø PIPE SLEEVE SHALL BE CUT FROM SCHEDULE 40 PVC PLASTIC PIPE. THE PVC PLASTIC PIPE SHALL MEET THE REQUIREMENTS OF ASTM D1785.

STEEL SOLE PLATES, ANCHOR BOLTS, NUTS, AND WASHERS SHALL BE GALVANIZED IN ACCORDANCE WITH THE STANDARD SPECIFICATIONS.

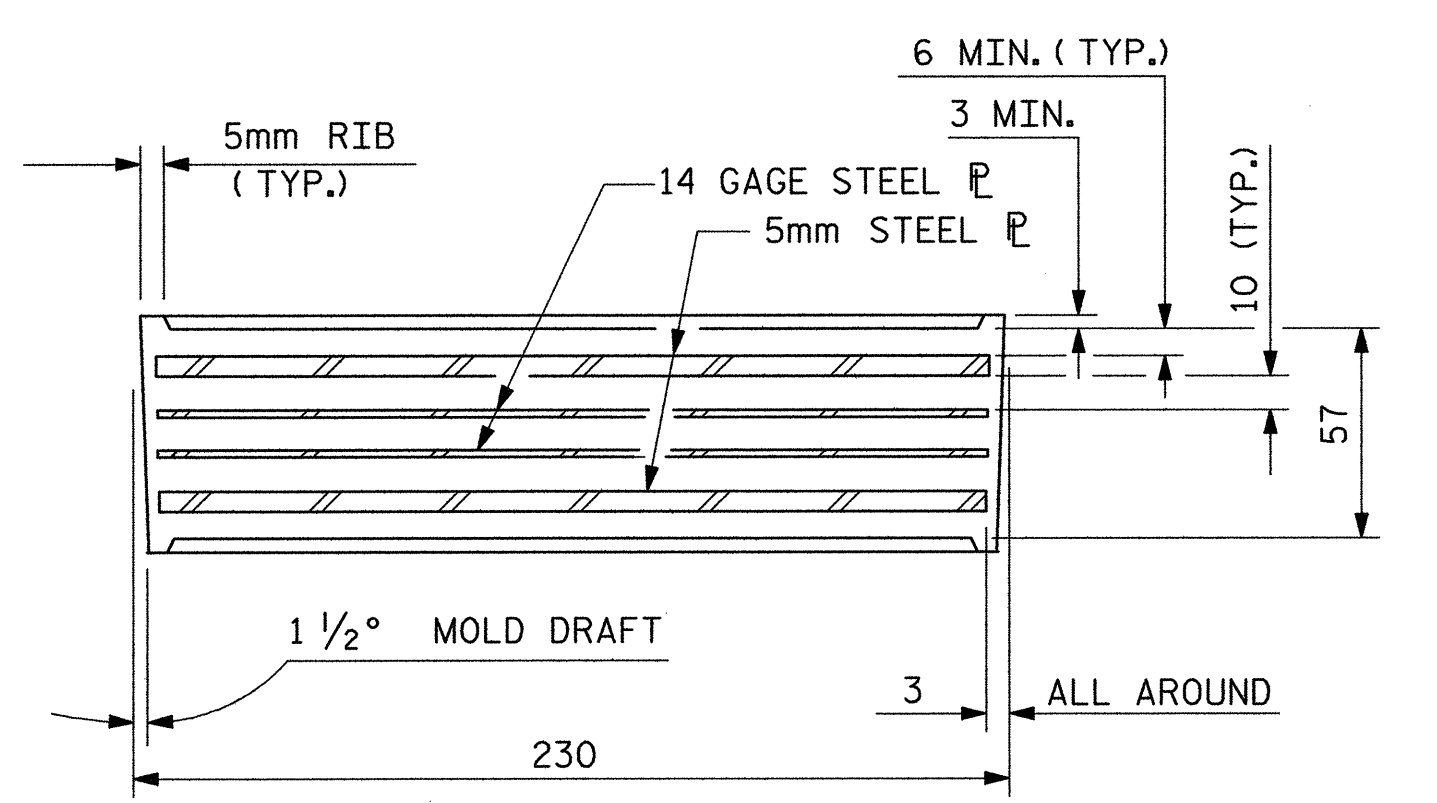
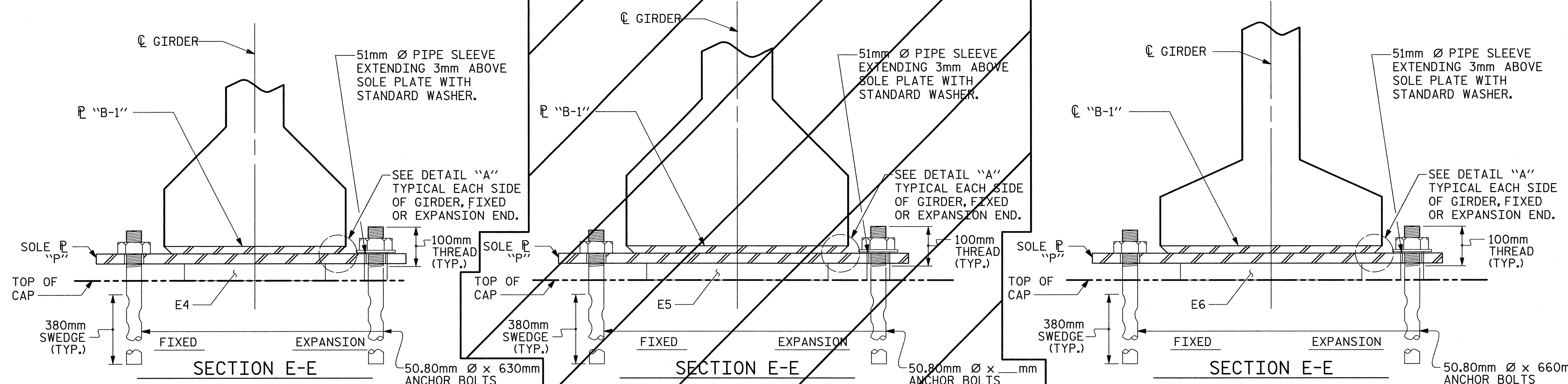
PRIOR TO WELDING, GRIND THE GALVANIZED SURFACE OF THE PORTION OF THE EMBEDDED PLATE AND SOLE PLATE THAT ARE TO BE WELDED. AFTER WELDING, DAMAGED GALVANIZED SURFACES SHALL BE REPAIRED IN ACCORDANCE WITH THE STANDARD SPECIFICATIONS.

WHEN WELDING THE SOLE PLATE TO THE EMBEDDED PLATE IN THE GIRDER, USE TEMPERATURE INDICATING WAX PENS, OR OTHER SUITABLE MEANS, TO ENSURE THAT THE TEMPERATURE OF THE SOLE PLATE DOES NOT EXCEED 149°C. TEMPERATURES ABOVE THIS MAY DAMAGE THE ELASTOMER.

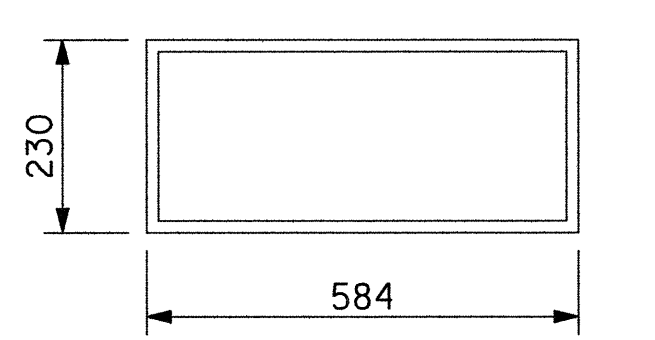
SOLE PLATE "P", BOLTS, NUTS, WASHERS, AND PIPE SLEEVE SHALL BE INCLUDED IN THE PAY ITEM FOR PRESTRESSED CONCRETE GIRDERS.

ANCHOR BOLTS SHALL MEET THE REQUIREMENTS OF ASTM A449. NUTS SHALL MEET THE REQUIREMENTS OF AASHTO M291M-12 OR AASHTO M292M-2H. WASHERS SHALL MEET THE REQUIREMENTS OF AASHTO M293M. SHOP DRAWINGS ARE NOT REQUIRED FOR ANCHOR BOLTS, NUTS AND WASHERS. SHOP INSPECTION IS REQUIRED.

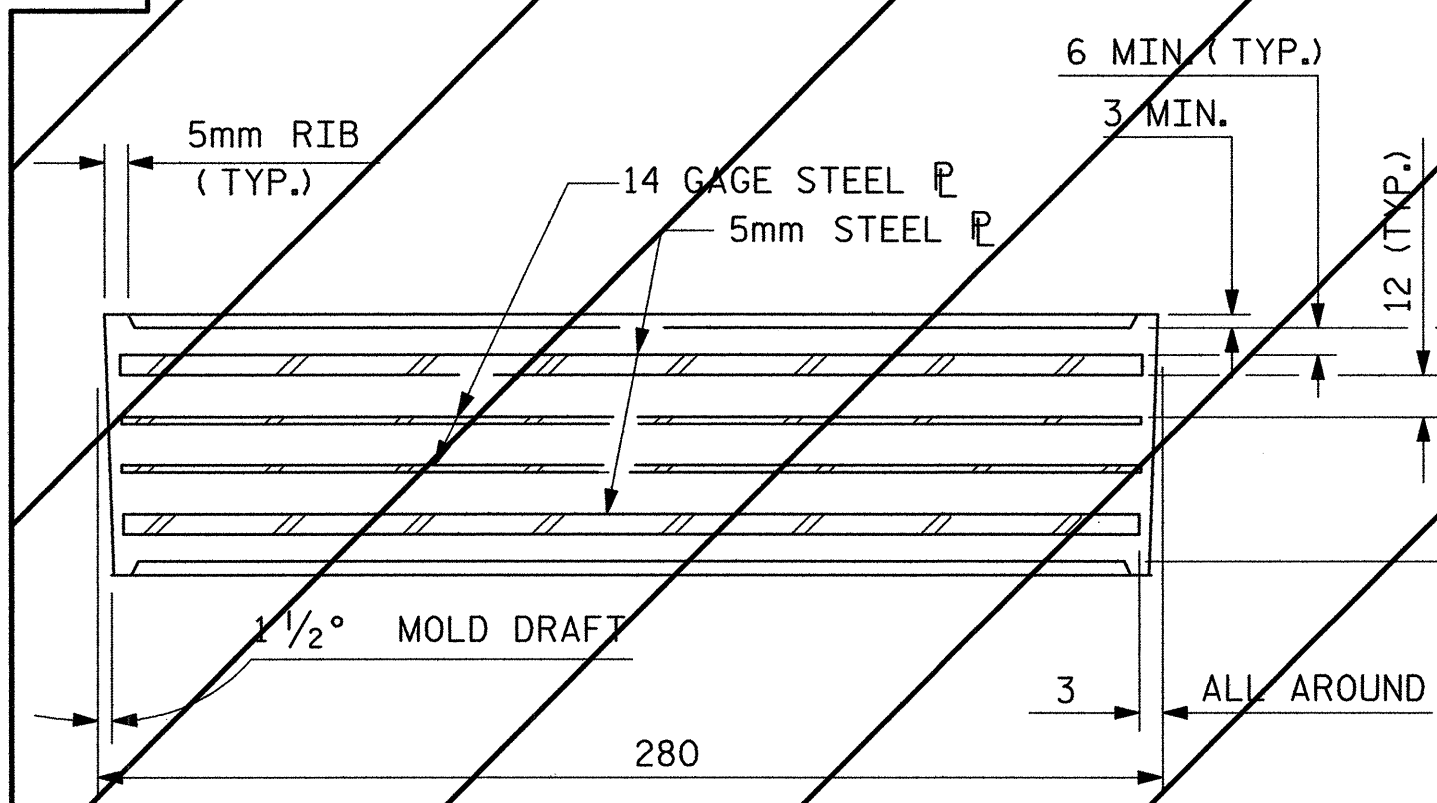
ALL SURFACES OF BEARING PLATES SHALL BE SMOOTH AND STRAIGHT.



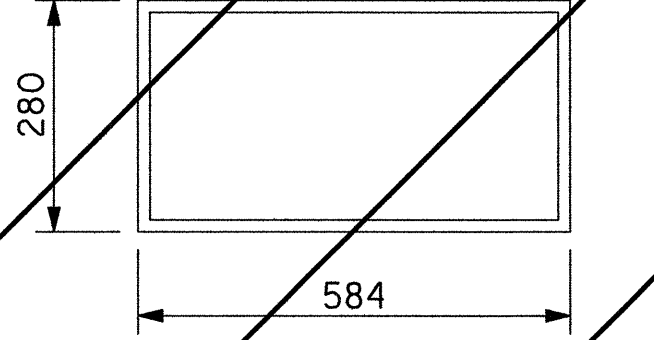
TYPICAL SECTION OF ELASTOMERIC BEARINGS



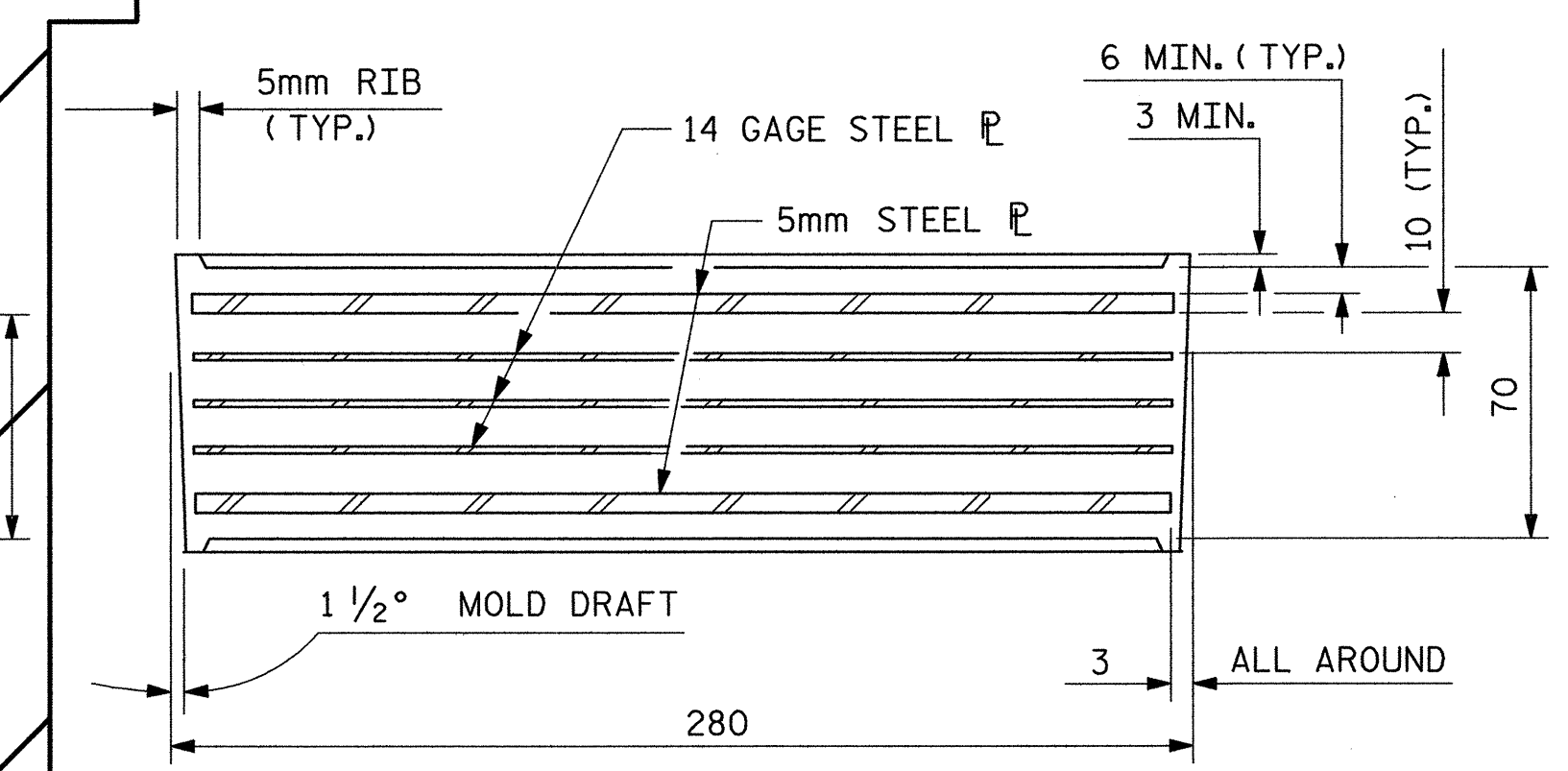
E4 (20 REQ'D)  
PLAN VIEW OF ELASTOMERIC BEARING  
TYPE V



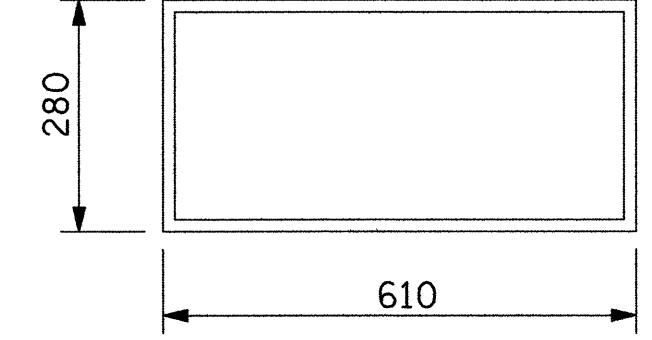
TYPICAL SECTION OF ELASTOMERIC BEARINGS



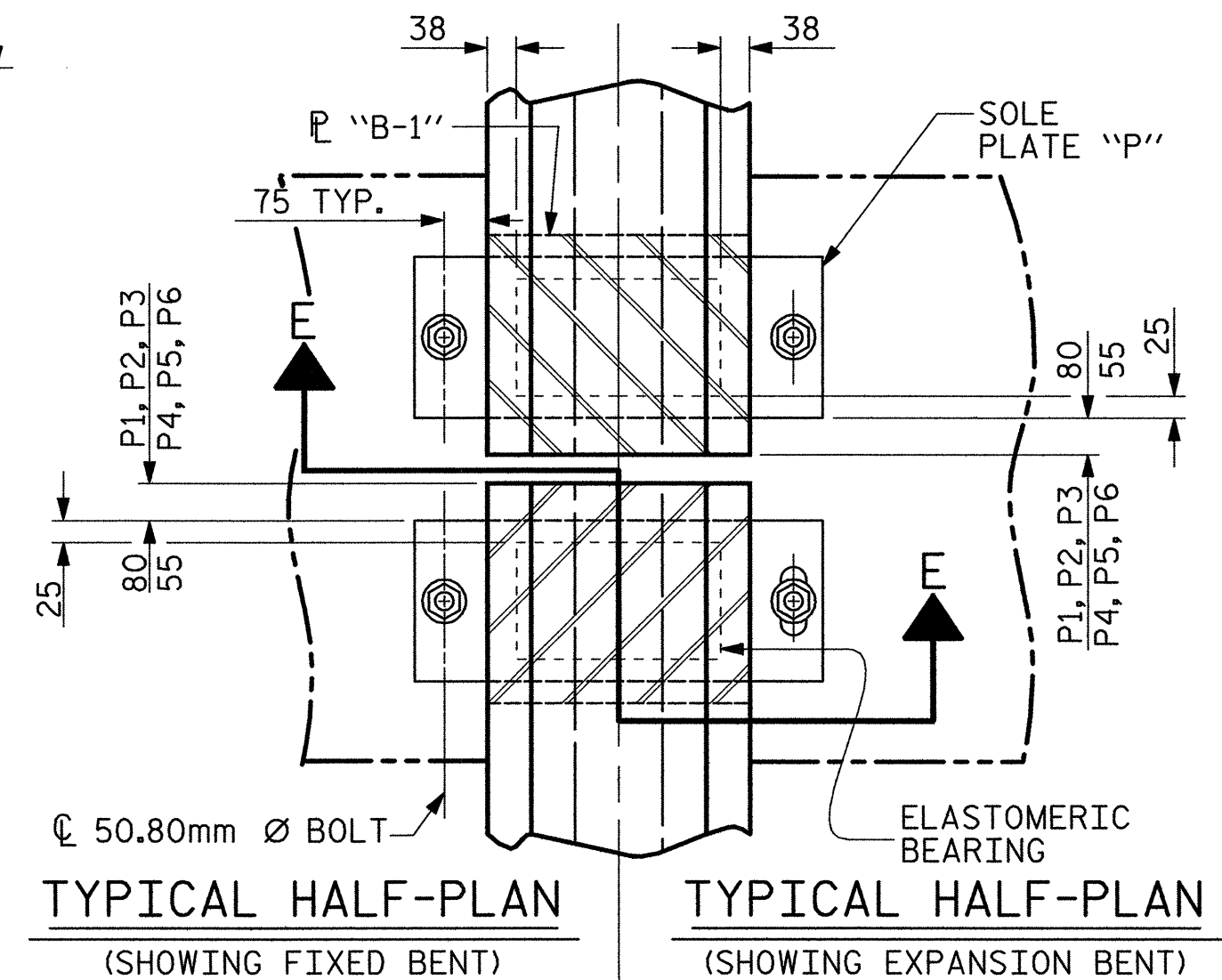
E5 (20 REQ'D)  
PLAN VIEW OF ELASTOMERIC BEARING  
TYPE VI



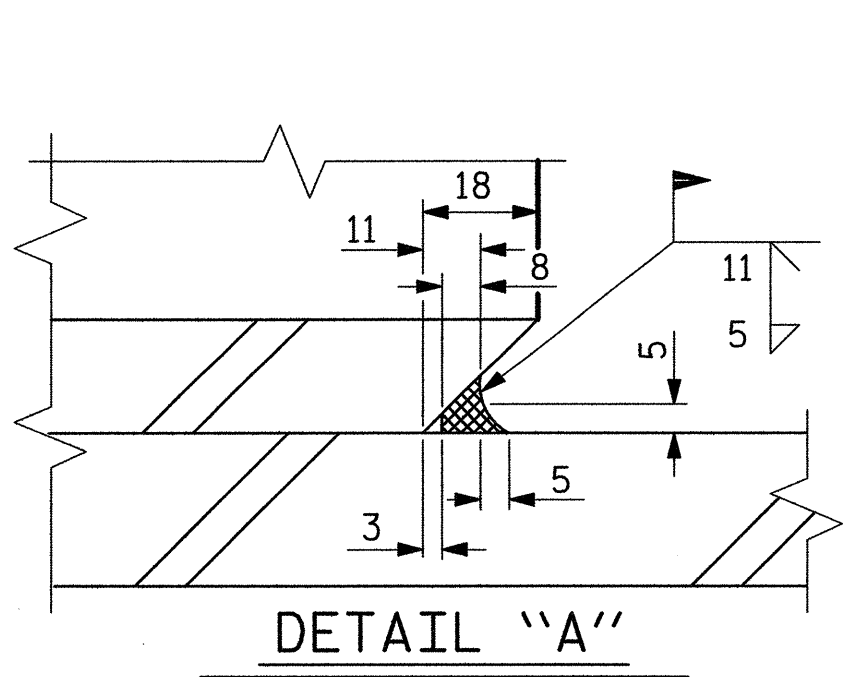
TYPICAL SECTION OF ELASTOMERIC BEARINGS



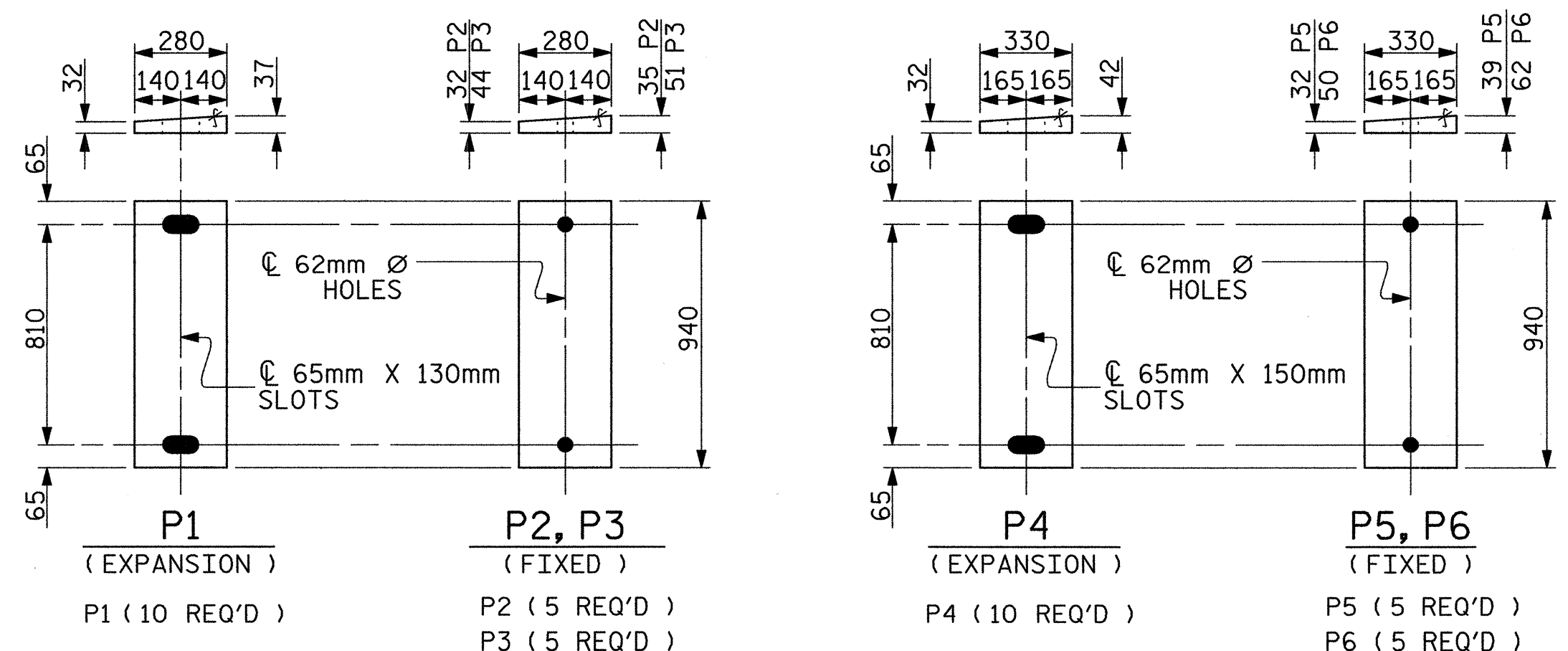
E6 (20 REQ'D)  
PLAN VIEW OF ELASTOMERIC BEARING  
TYPE VII



TYPICAL HALF-PLAN (SHOWING FIXED BENT)  
TYPICAL HALF-PLAN (SHOWING EXPANSION BENT)



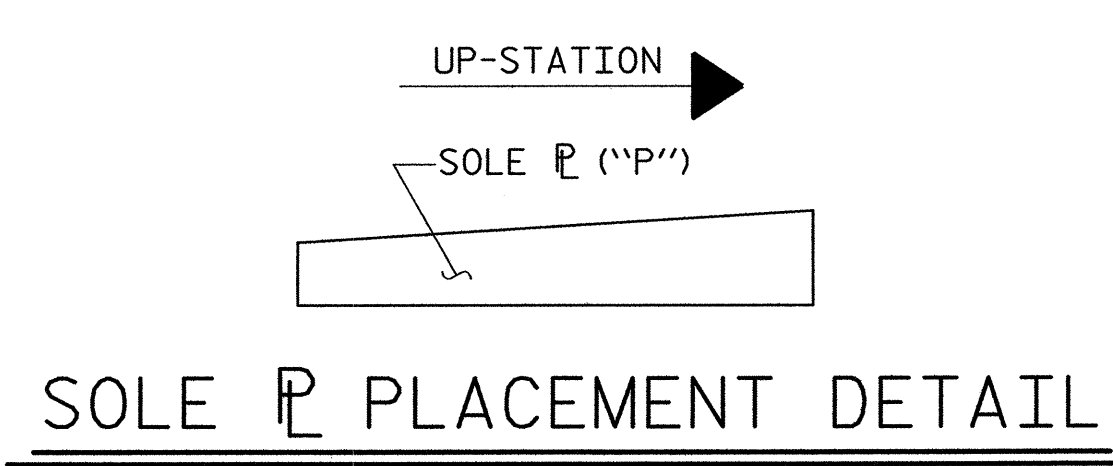
DETAIL "A"



SOLE PLATE DETAILS ("P")

—LOAD RATINGS—

	MAX.D.L.+ L.L.
TYPE V	801 KN
TYPE VI	936 KN
TYPE VII	1174 KN



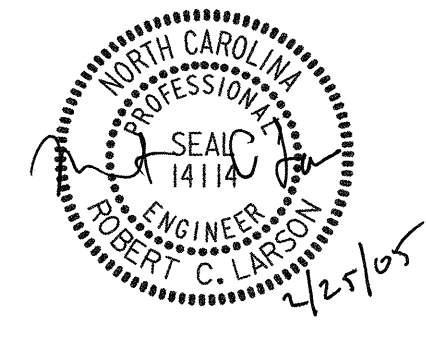
SOLE PLATE PLACEMENT DETAIL

PLANS PREPARED BY:

**MULKEY**  
ENGINEERS & CONSULTANTS

PO BOX 39127  
RALEIGH, N.C. 27636  
(919) 875-1111  
(919) 875-1112 (FAX)  
WWW.MULKEYINC.COM

THIS STANDARD DRAWING REVIEWED & ADOPTED FOR USE AT THE REFERENCED LOCATION BY THE UNDERSIGNED:



PROJECT NO. R-2552C  
JOHNSTON COUNTY  
STATION: 110+37.000 -L2RT- POC

STATE OF NORTH CAROLINA  
DEPARTMENT OF TRANSPORTATION  
RALEIGH  
**STANDARD ELASTOMERIC BEARING DETAILS**  
PRESTRESSED CONCRETE GIRDER SUPERSTRUCTURE (RIGHT LANE)  
STD. NO. EB4SM

REVISIONS				SHEET NO.	
NO.	BY:	DATE:	NO.	DATE:	TOTAL SHEETS
1			3		5-243
2			4		431

REFERENCE NO. BR-18

02/21/2005 07:5809 AM G:\projects\2004\2522A\Structures\Site\Right Lane\EB252C.SD.BC.dgn

ASSEMBLED BY: W. B. ALLEN DATE: 10/04  
CHECKED BY: R. C. LARSON DATE: 1/05  
DRAWN BY: EEM 2/97 REV. 7/17/98 RWW/LES  
CHECKED BY: VAP 2/97 REV. 8/16/99 RWW/LES  
REV. 10/17/00 RWW/LES