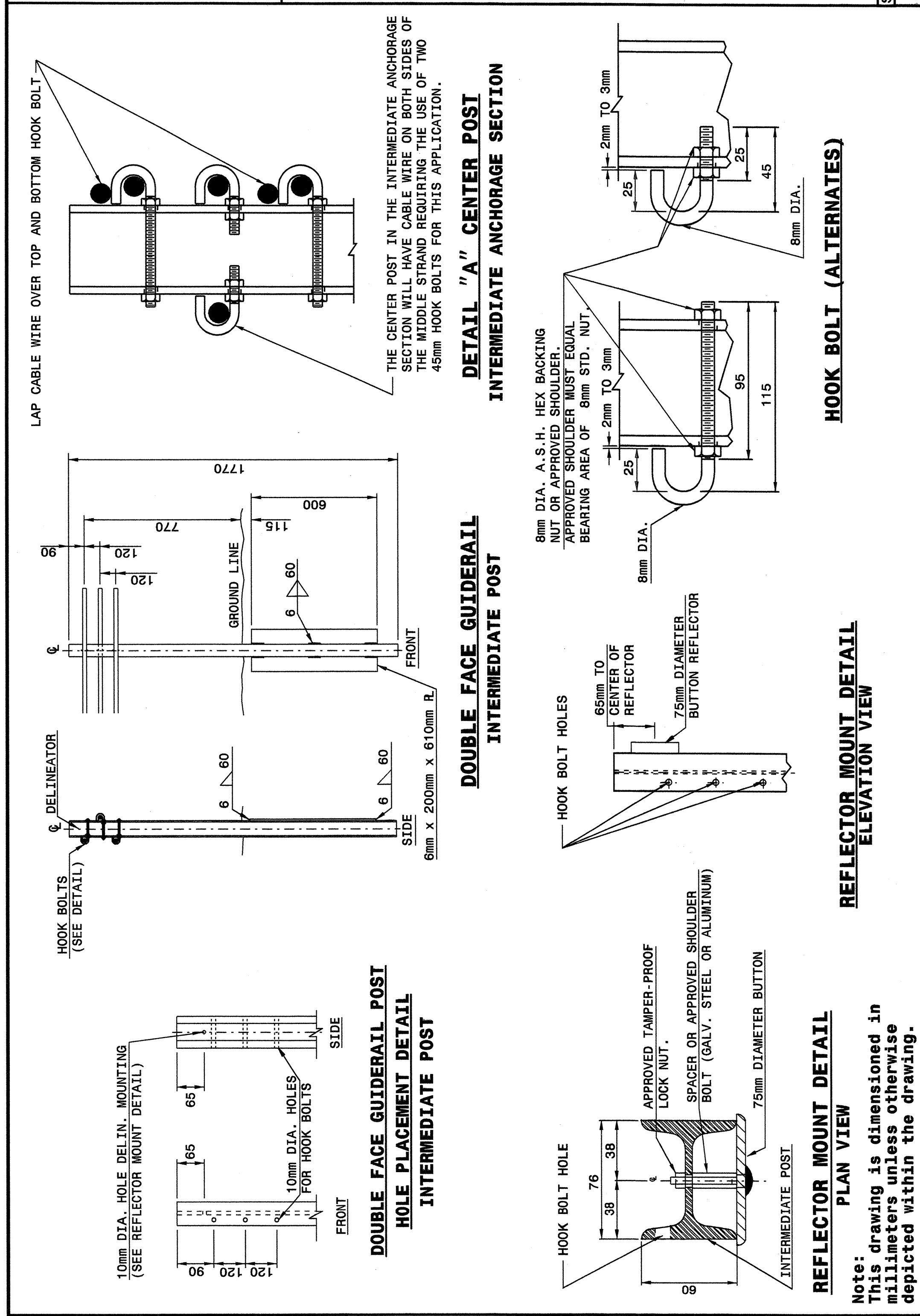




STATE OF NORTH CAROLINA DEPT. OF TRANSPORTATION DIVISION OF HIGHWAYS RALEIGH, N.C.

METRIC DETAIL DRAWING FOR CABLE GUIDERAIL - POST DETAILS

SHEET 5 OF 11 865D01



STATE OF NORTH CAROLINA DEPT. OF TRANSPORTATION DIVISION OF HIGHWAYS RALEIGH, N.C.

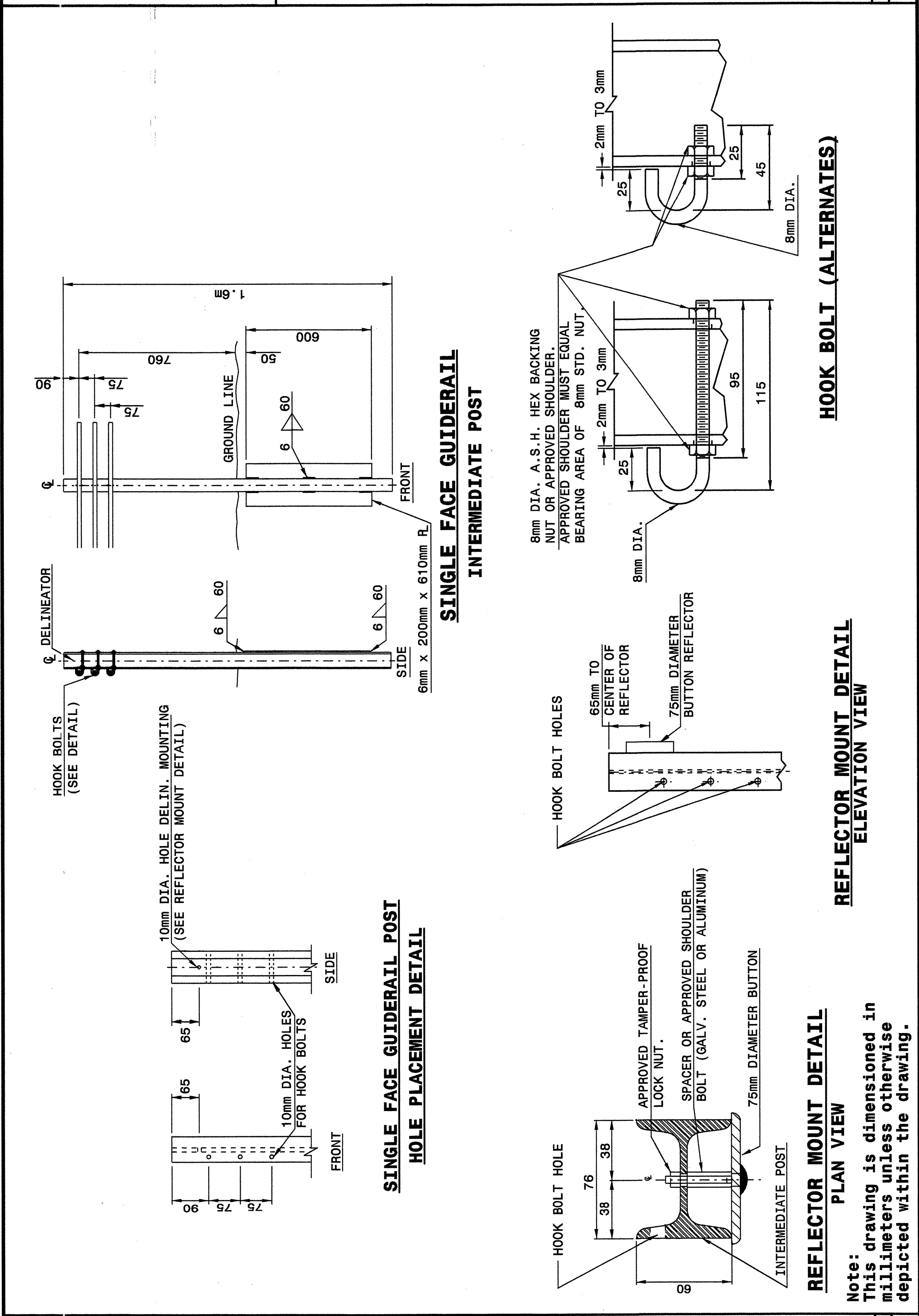
METRIC DETAIL DRAWING FOR CABLE GUIDERAIL - POST DETAILS

SHEET 5 OF 11 865D01

STATE OF NORTH CAROLINA DEPT. OF TRANSPORTATION DIVISION OF HIGHWAYS RALEIGH, N.C.

METRIC DETAIL DRAWING FOR CABLE GUIDERAIL - POST DETAILS

SHEET 6 OF 11 865D01



STATE OF NORTH CAROLINA DEPT. OF TRANSPORTATION DIVISION OF HIGHWAYS RALEIGH, N.C.

METRIC DETAIL DRAWING FOR CABLE GUIDERAIL - POST DETAILS

SHEET 6 OF 11 865D01

14-APR-2004 09:45 W:\Special\Detail\865D01\0865D01.dgn

DESIGN SERVICES UNIT
STANDARDS AND SPECIAL DESIGN
Office 919-250-4128 FAX 919-250-4119

SEE PLATE FOR TITLE

ORIGINAL BY: 2002 STANDARDS DATE: 1-15-02
 MODIFIED BY: E.E. WARD DATE: 4-07-04
 CHECKED BY: J.S. HOWERSON DATE: 4-16-04
 FILE SPEC.: /usr/std/02stds to details/metric/86501/0865D01.dgn

