

**TIP PROJECT: R-2552B**

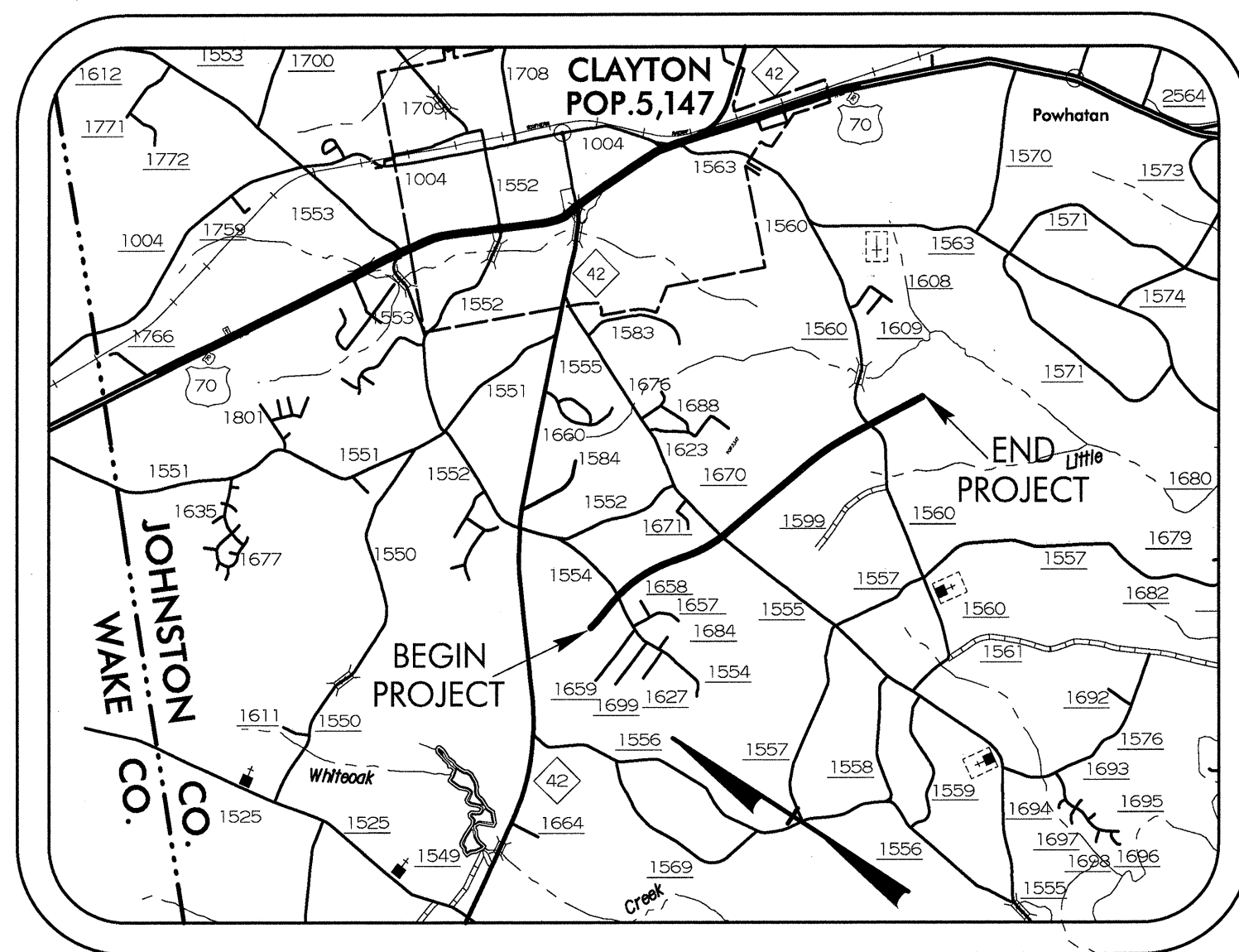
**CONTRACT: C201228**

STATE OF NORTH CAROLINA  
DIVISION OF HIGHWAYS

**UTILITIES BY OTHERS  
JOHNSTON COUNTY**

**LOCATION: US 70 CLAYTON BYPASS FROM EAST OF NC 42  
TO EAST OF SR 1560 (RANCH ROAD)**

**TYPE OF WORK: UTILITIES RELOCATION**

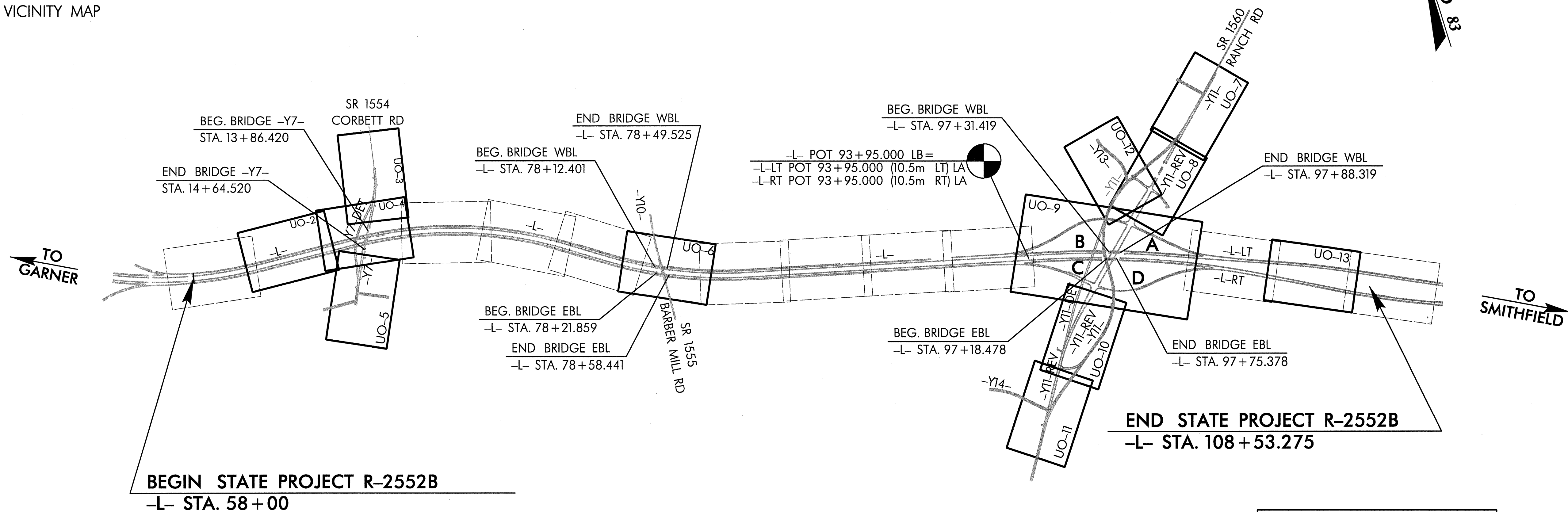


VICINITY MAP

**METRIC**

ALL DIMENSIONS IN THESE PLANS ARE IN METERS AND/OR MILLIMETERS UNLESS OTHERWISE SHOWN

T.I.P. NO.	SHEET NO.
R-2552B	UO-1



Prepared By:

**EarthTech**  
A Tyco International Ltd. Company  
701 Corporate Center Drive, Suite 475  
Raleigh, NC 27607  
(919) 854-6200 - (919) 854-6259(FAX)

INDEX OF SHEETS	
SHEET NO.	DESCRIPTION
UO-1	TITLE SHEET
UO-2 thru UO-13	UTILITIES BY OTHERS PLAN SHEET(S)

UTILITY OWNERS ON PROJECT
(1) PROGRESS ENERGY (DISTRIBUTION)
(2) SPRINT CAROLINA TELEPHONE & TELEGRAPH
(3) TIME WARNER TELECOMMUNICATIONS
(4)
(5)

SEAL

FOR:

**DIVISION OF HIGHWAYS  
PROJECT SERVICES  
UTILITY SECTION**

159 MAIL SERVICES CENTER  
RALEIGH, NC 27699-1591  
PHONE (919) 250-4128  
FAX (919) 250-4119

**Roger Worthington, P.E.** UTILITIES SECTION ENGINEER  
**R.B. Wilkins, P.E.** UTILITIES SQUAD LEADER PROJECT ENGINEER  
**Earth Tech** UTILITIES PROJECT DESIGNER

92.73871 N-2552B-1p10\jubo\2552buo.1.tsh  
02/04/2005 11:58:07 AM