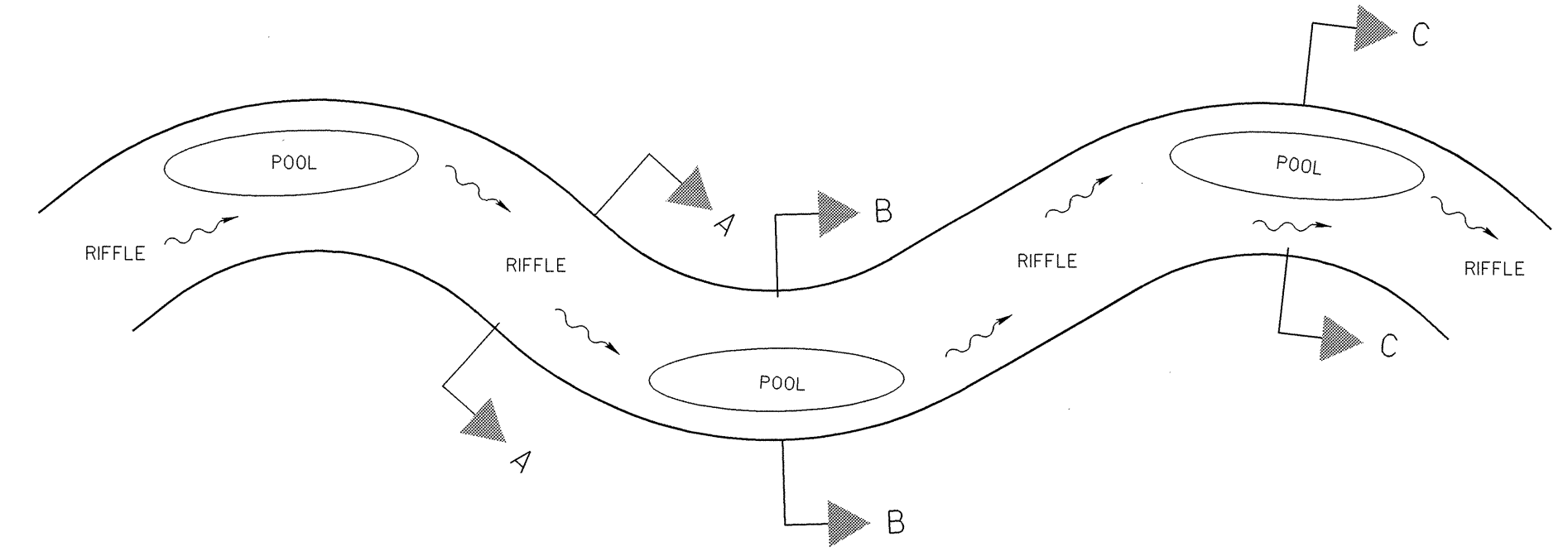


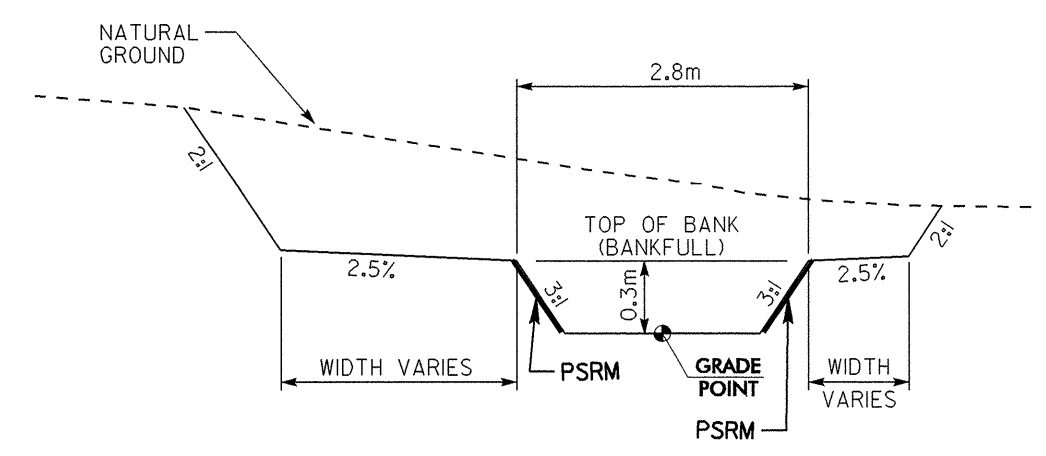
CLAYTON BYPASS STREAM RELOCATION TYPICAL SECTIONS

 CONST. REV. R / W REV.	PROJECT REFERENCE NO. R-2552B	SHEET NO. 2-J

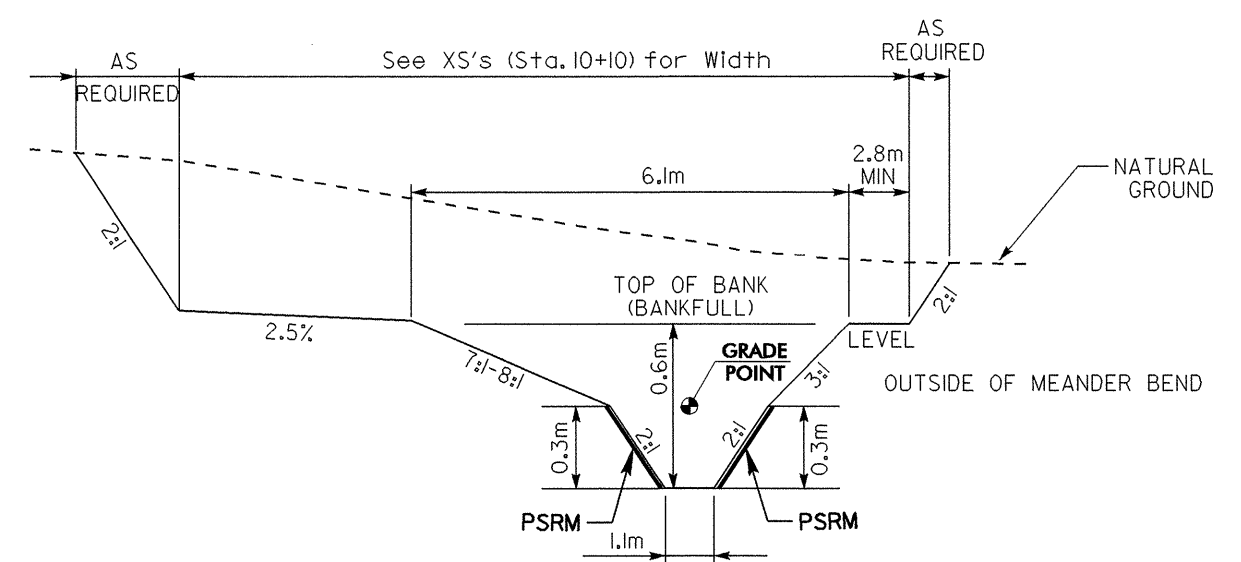
NOTE:
 TYPICAL SECTIONS ARE PROVIDED TO GIVE THE GENERAL DIMENSIONS OF THE CHANNEL. FINAL GRADING WILL GIVE THE CHANNEL A MORE "NATURAL" APPEARANCE AND ALLOW A SMOOTH TRANSITION FROM EXISTING CHANNEL TO NEW CHANNEL.
 REFER TO CROSS SECTIONS (SHEETS X-1 TO X-8) FOR ADDITIONAL INFORMATION.
 GRADE POINTS REPRESENT THE LOCATION OF THE TYPICAL SECTION IN RELATION TO THE PROPOSED STREAM CHANNEL ALIGNMENT. THE VERTICAL POSITION OF THE GRADE POINT REPRESENTS A CONSTANT SLOPE BETWEEN FLOW ROCK ELEVATIONS. POOLS ARE TO BE OVEREXCAVATED 0.3m BELOW THE GRADE POINT. SEE STREAM PROFILE SHEET 2-K FOR STREAM BED ELEVATIONS.



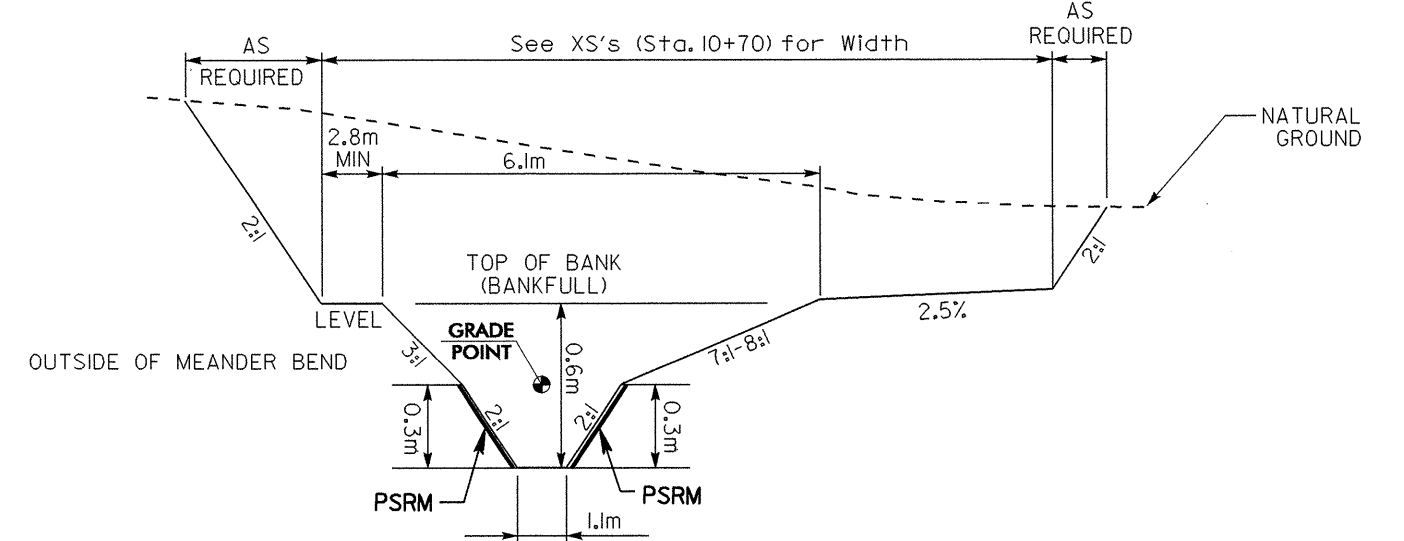
TYPICAL PLAN VIEW SCHEMATIC



RIFFLE SECTION A-A



POOL SECTION B-B

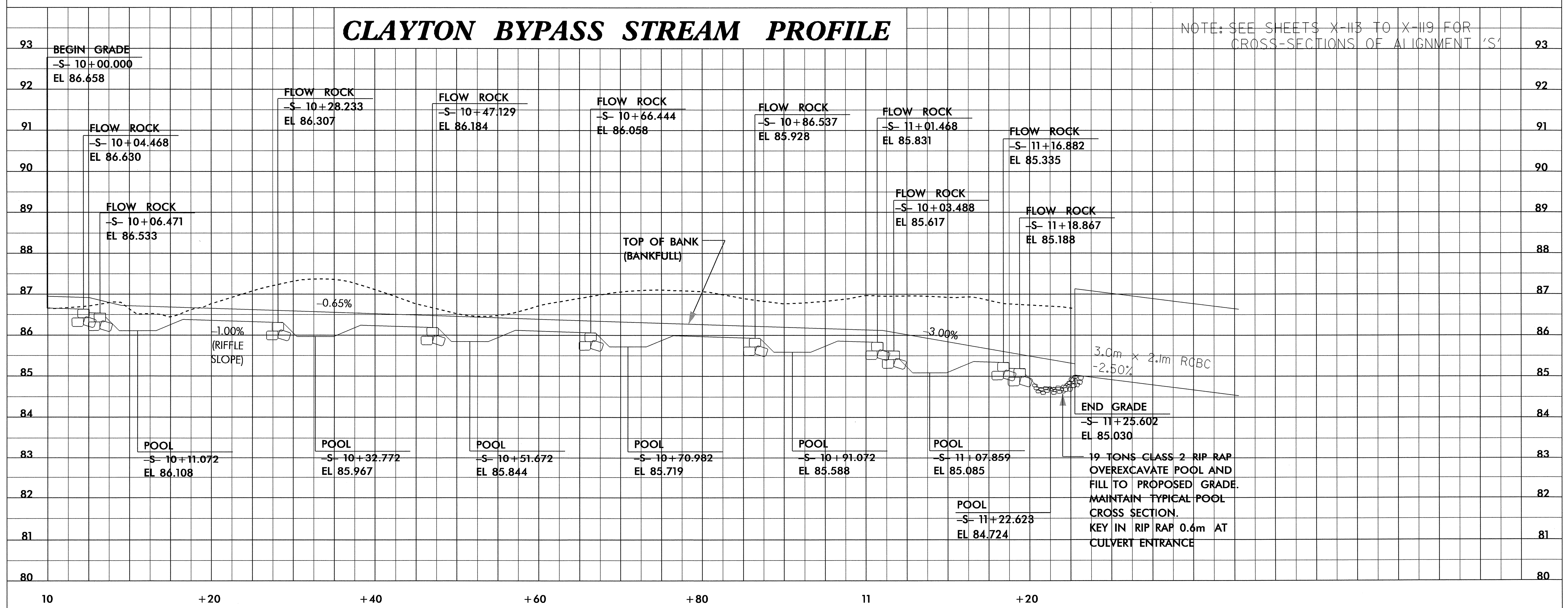


POOL SECTION C-C

RELOCATED BANKFULL CHANNEL TYPICAL SECTIONS

CLAYTON BYPASS STREAM PROFILE

NOTE: SEE SHEETS X-113 TO X-119 FOR CROSS-SECTIONS OF ALIGNMENT 'S'



3.0m x 2.1m RCBC
 -2.50%
 19 TONS CLASS 2 RIP RAP
 OVEREXCAVATE POOL AND
 FILL TO PROPOSED GRADE.
 MAINTAIN TYPICAL POOL
 CROSS SECTION.
 KEY IN RIP RAP 0.6m AT
 CULVERT ENTRANCE