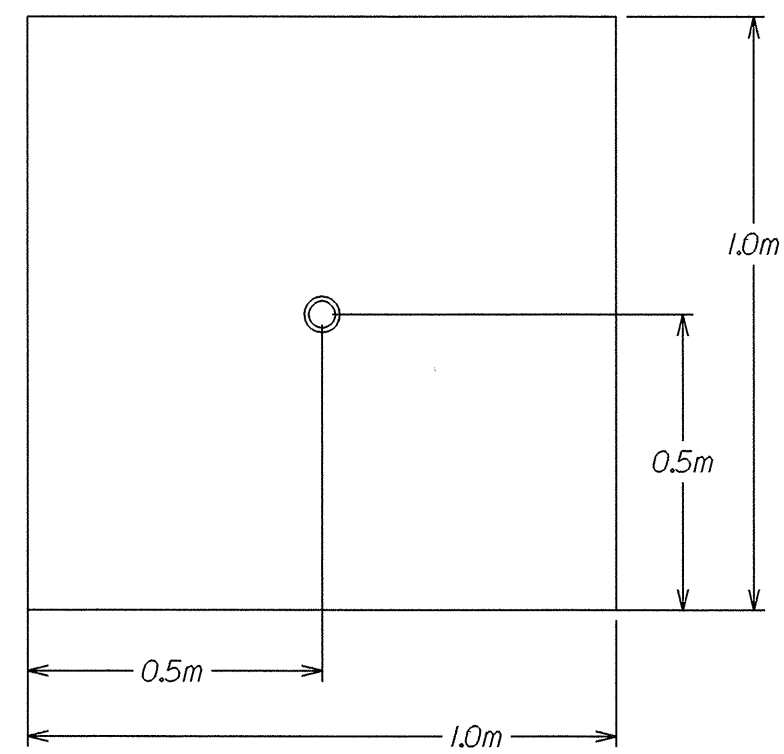
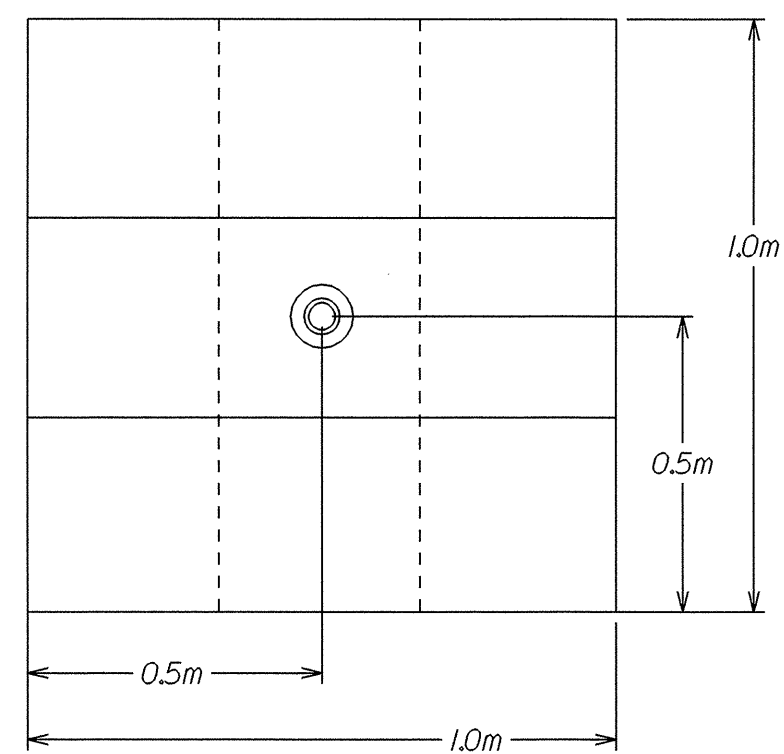


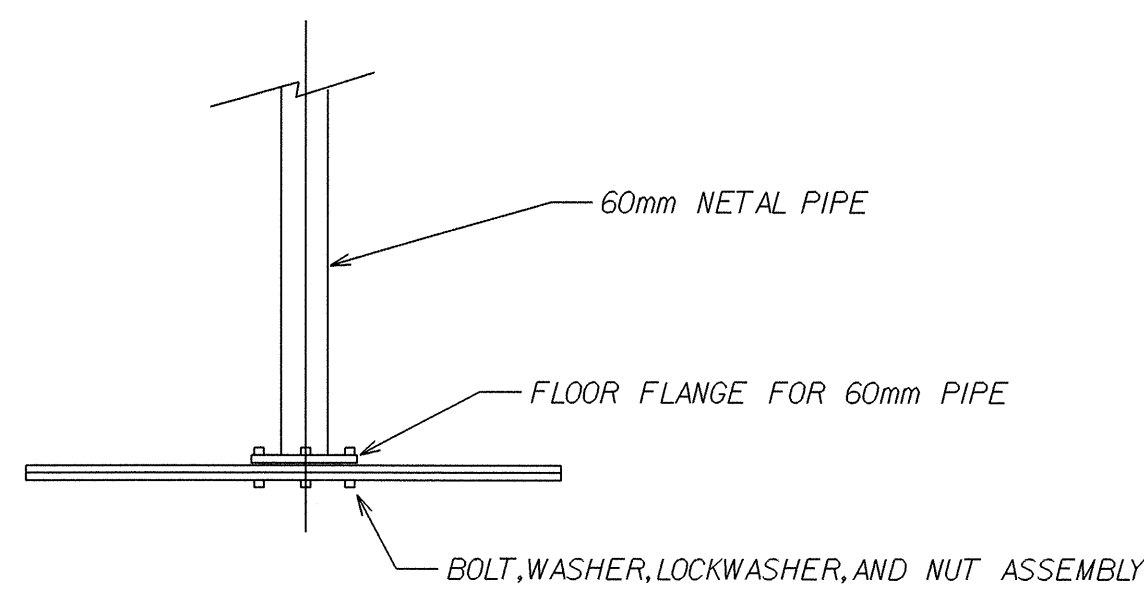
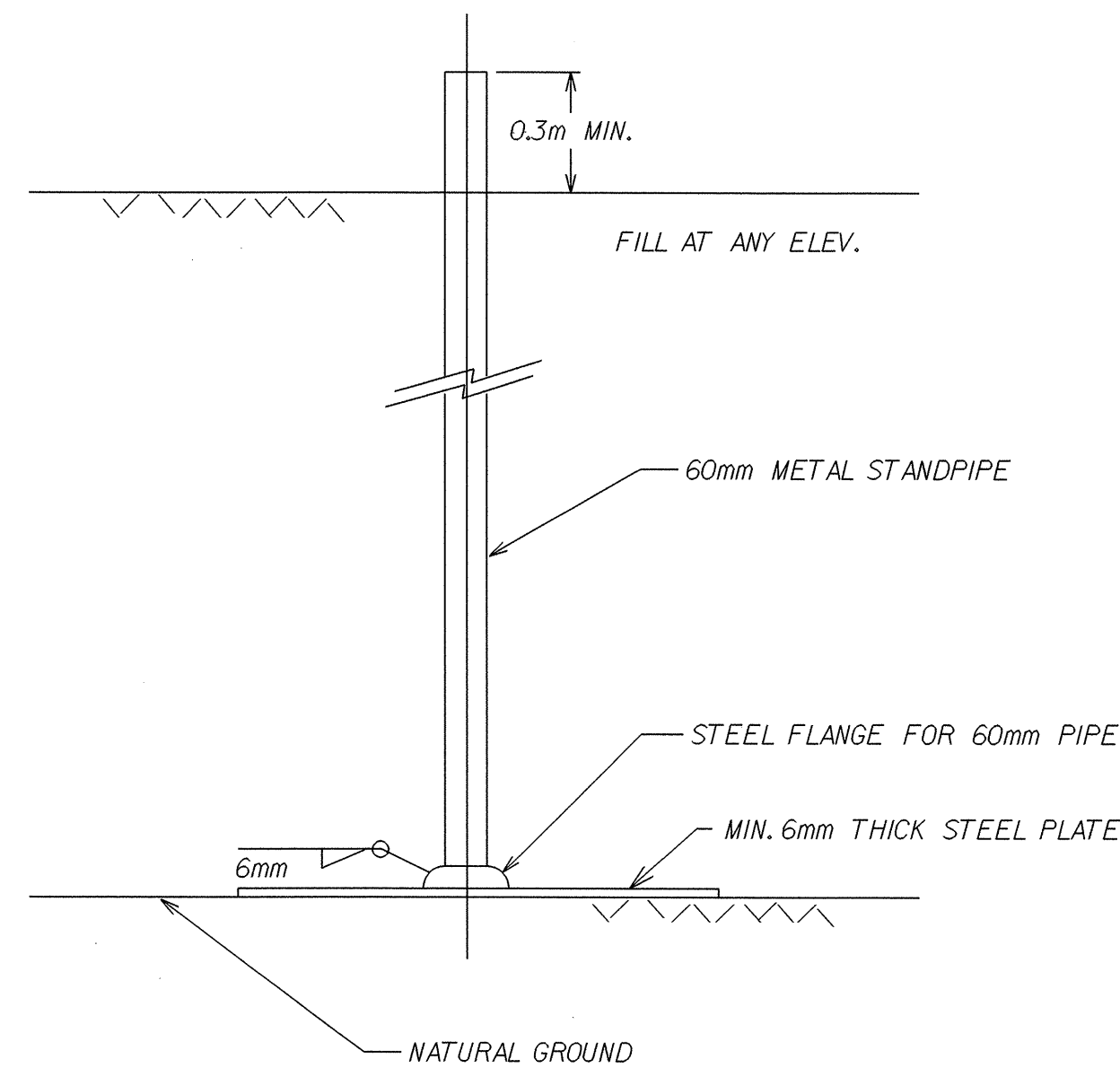
PROJ. REFERENCE NO.	SHEET NO.	TOTAL SHEETS
R-2552B	2-R	
STATE PROJ. NO.	F.A. PROJ. NO.	DESCRIPTION



STEEL BASE



WOOD BASE



DETAIL OF WOOD BASE

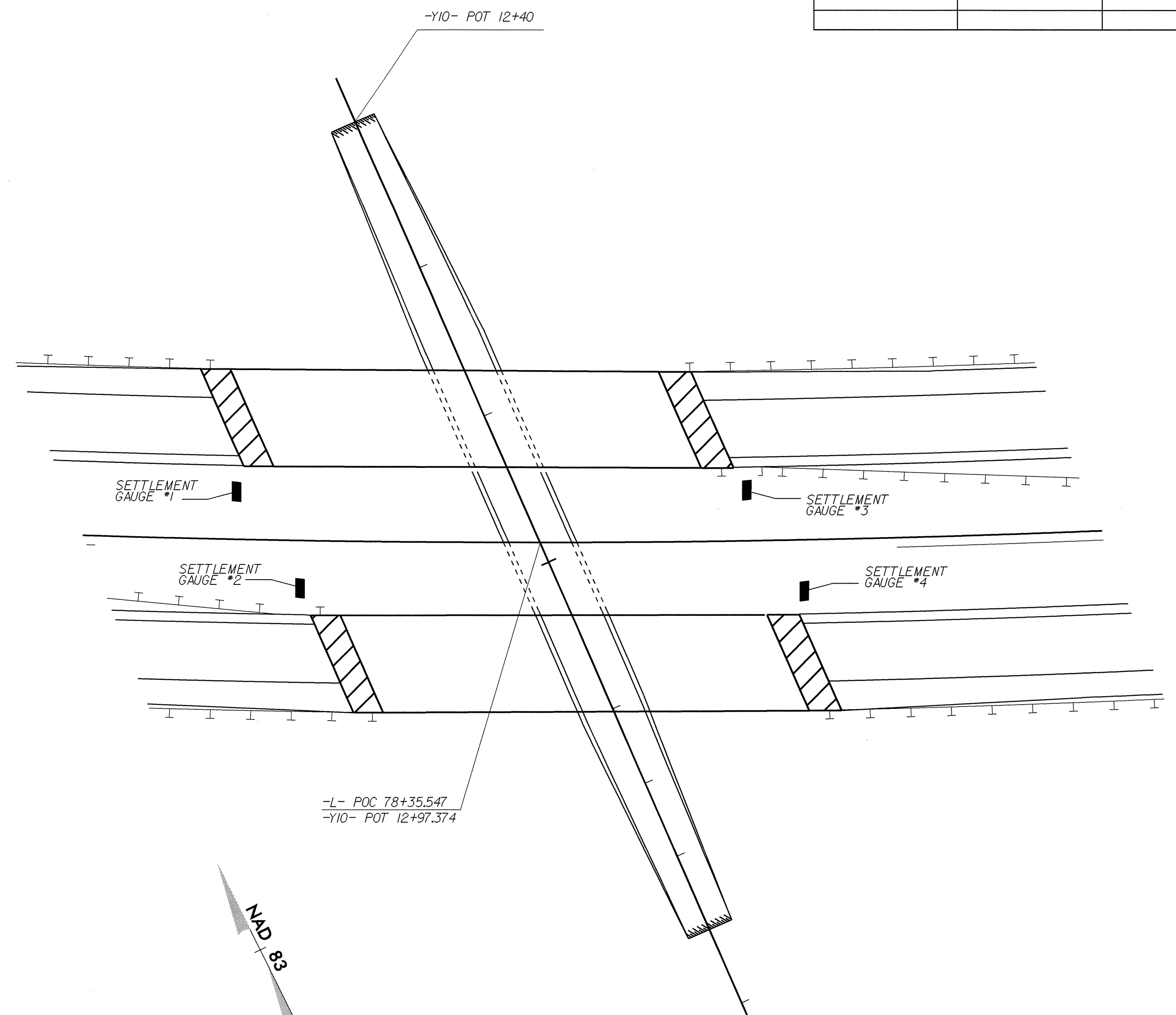
SIX - 0.025m X 0.3m X 1.0m PLANKS OF LUMBER OR TWO PIECES 0.025m X 1.0m X 1.0m EXTERIOR GRADE PLYWOOD, SECURELY FASTENED AND THEN COATED WITH WOOD PRESERVATIVE

SETTLEMENT GAUGE DETAIL

NOT TO SCALE

NOTES:

1. THE USE OF EITHER THE WOOD BASE OR THE STEEL BASE SETTLEMENT GAUGE SHALL BE THE CONTRACTOR'S OPTION.
2. SETTLEMENT GAUGES SHALL BE INSTALLED BEFORE ANY FILL IS PLACED.
3. SETTLEMENT GAUGE ELEVATIONS ARE TO BE DETERMINED AND RECORDED WEEKLY BY THE RESIDENT ENGINEER. THE INITIAL ELEVATION OF THE SETTLEMENT GAUGE PLATE (AT TOP OF PLATE) SHALL BE DETERMINED AT THE TIME OF INSTALLATION ALONG WITH THE EMBANKMENT ELEVATION. WHEN THE NEW SECTIONS OF PIPE ARE ADDED, ELEVATIONS SHALL BE RECORDED AT THE TOP OF EXISTING PIPE AND AT THE TOP OF THE NEW PIPE. THIS IS TO TAKE INTO ACCOUNT INTERIM SETTLEMENT, VARIABLE PIPE LENGTHS, AND THREAD LENGTHS IN COUPLING. RESULTS OF SETTLEMENT GAUGE READINGS SHALL BE FORWARDED TO NCDOT GEOTECHNICAL UNIT EASTERN REGIONAL OFFICE WITHIN THREE DAYS.

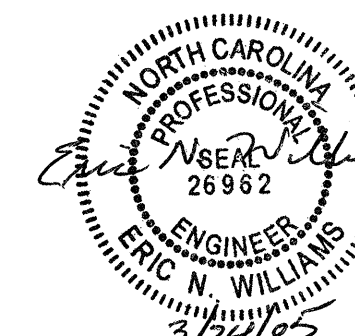


PLAN VIEW

LOCATIONS

- GAUGE 1: POC STA 78+00.00 -L- (2 m LT)
- GAUGE 2: POC STA 78+10.00 -L- (2 m RT)
- GAUGE 3: POC STA 78+60.00 -L- (2 m LT)
- GAUGE 4: POC STA 78+70.00 -L- (2 m RT)

PROJECT 8.T311002 R-2552B  
Johnston COUNTY  
STATION POC 78+35.547 -L-



DRAWN BY ADS DATE 06/02  
CHECKED BY CAG DATE 06/02

STATE OF NORTH CAROLINA  
DEPARTMENT OF TRANSPORTATION  
RALEIGH

EMBANKMENT  
MONITORING