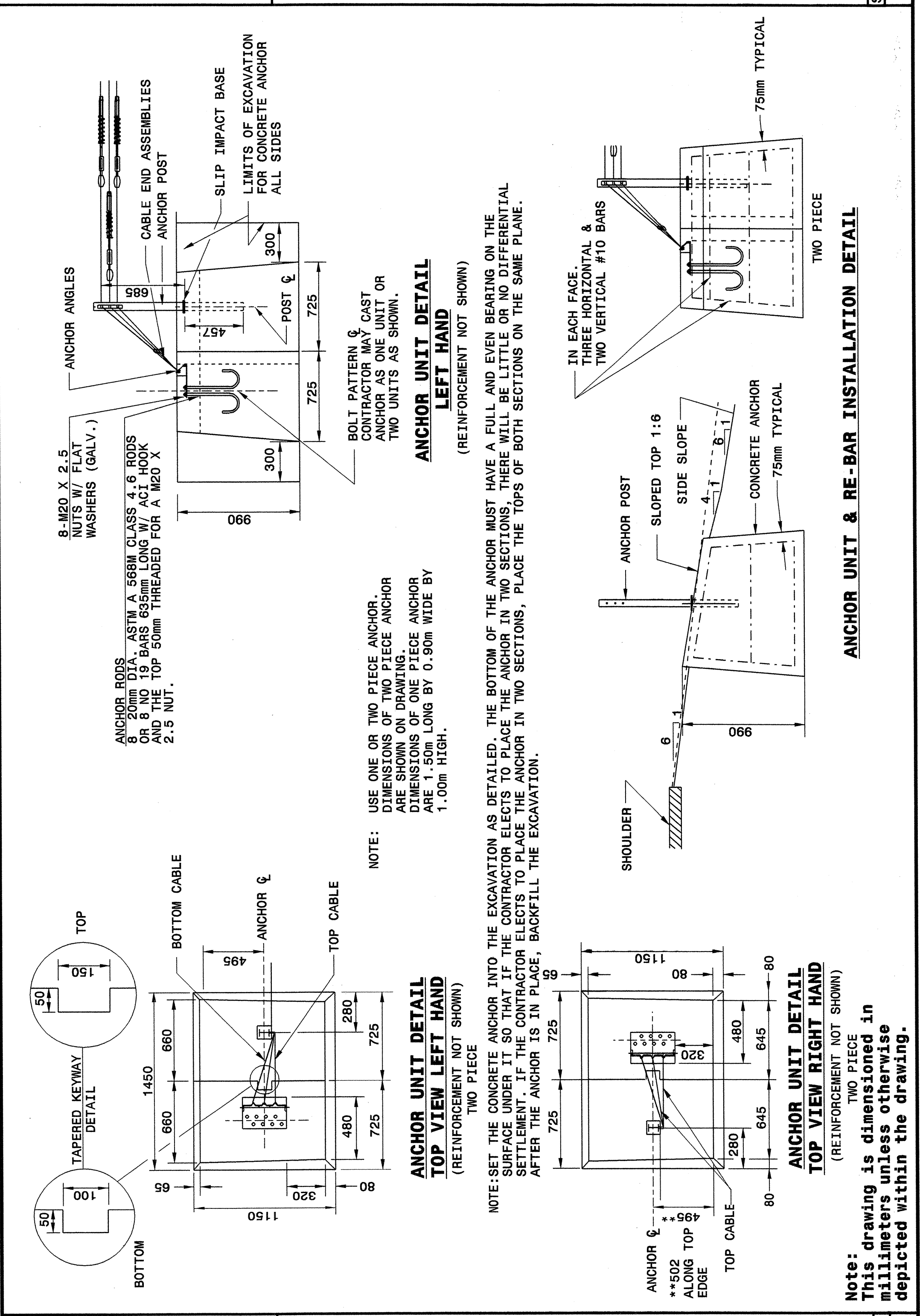




STATE OF NORTH CAROLINA  
DEPT. OF TRANSPORTATION  
DIVISION OF HIGHWAYS  
RALEIGH, N.C.

METRIC DETAIL DRAWING FOR  
**CABLE GUIDERAIL**  
ANCHOR DETAILS

SHEET 9 OF 11  
**865D01**



STATE OF NORTH CAROLINA  
DEPT. OF TRANSPORTATION  
DIVISION OF HIGHWAYS  
RALEIGH, N.C.

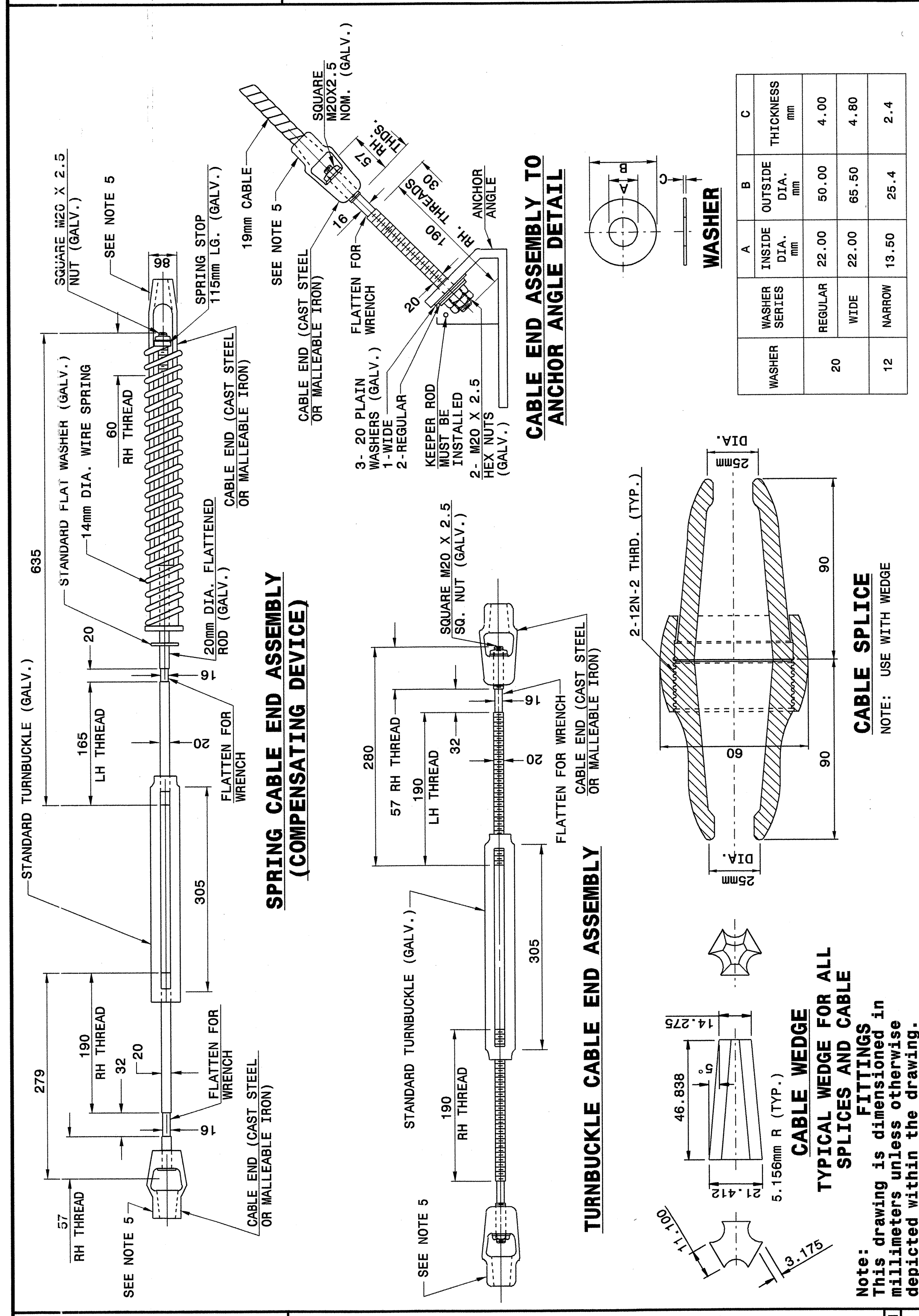
METRIC DETAIL DRAWING FOR  
**CABLE GUIDERAIL**  
ANCHOR DETAILS

SHEET 9 OF 11  
**865D01**

STATE OF NORTH CAROLINA  
DEPT. OF TRANSPORTATION  
DIVISION OF HIGHWAYS  
RALEIGH, N.C.

METRIC DETAIL DRAWING FOR  
**CABLE GUIDERAIL**  
ANCHOR DETAILS

SHEET 10 OF 11  
**865D01**



STATE OF NORTH CAROLINA  
DEPT. OF TRANSPORTATION  
DIVISION OF HIGHWAYS  
RALEIGH, N.C.

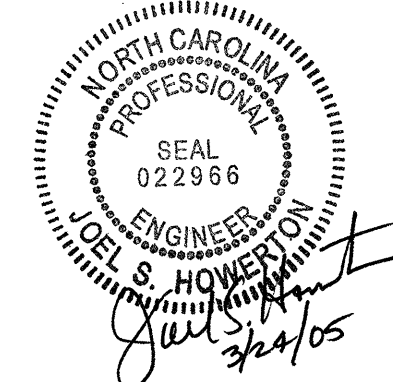
METRIC DETAIL DRAWING FOR  
**CABLE GUIDERAIL**  
ANCHOR DETAILS

SHEET 10 OF 11  
**865D01**

DESIGN SERVICES UNIT  
STANDARDS AND SPECIAL DESIGN  
Office 919-250-4128 FAX 919-250-4119

SEE PLATE FOR TITLE

ORIGINAL BY: 2002 STANDARDS DATE: 1-15-02  
MODIFIED BY: E.E. WARD DATE: 4-07-04  
CHECKED BY: DATE: 4-16-04  
FILE SPEC.: /usr/std/02stds to details/metric/86501/0865d01.dgn



14-APR-2004 08:45  
M:\Special Details\Verward\stds\02stds to Special Details\metric\86501\0865d01m.dgn  
ericward AT US212260