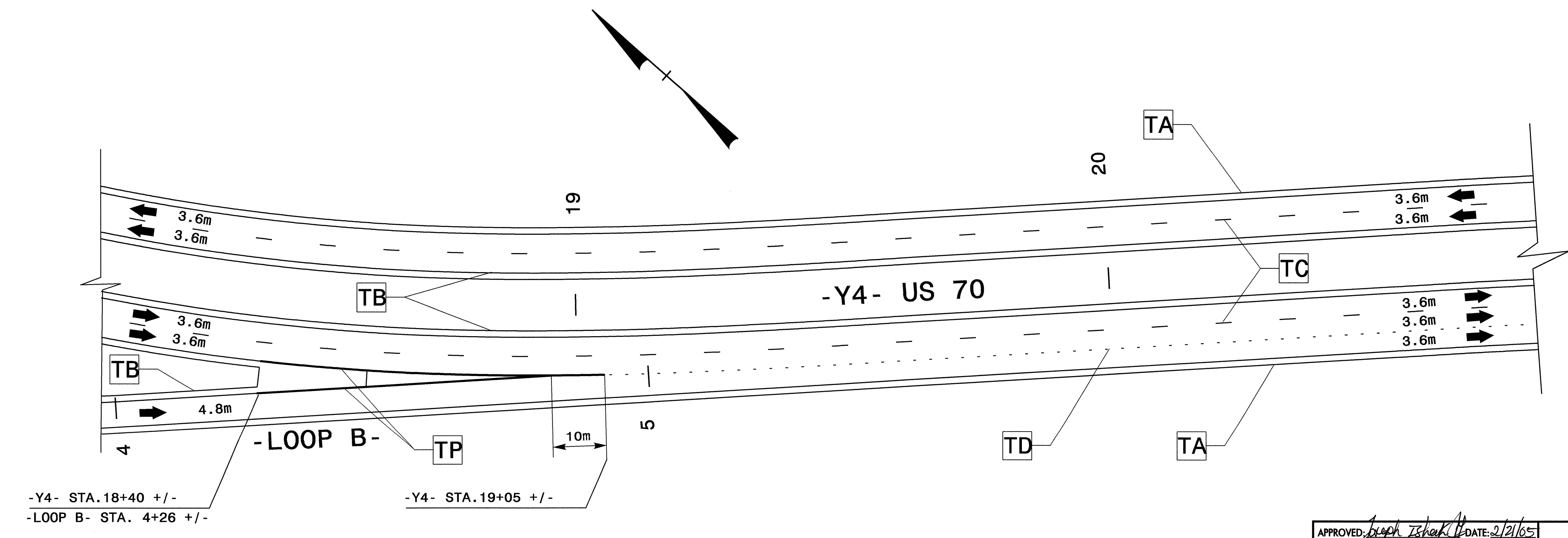
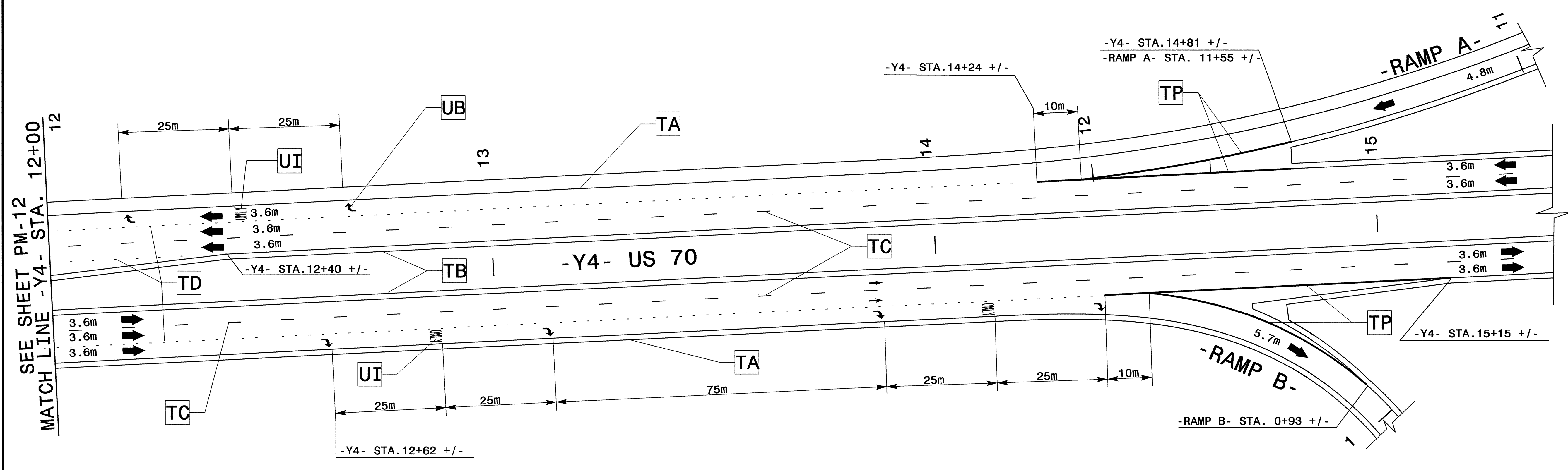




PROJ. REFERENCE NO.	SHEET NO.
R-2552B&C	PM-13



REFER TO PM-1 FOR FINAL PAVEMENT MARKINGS SCHEDULE

APPROVED: *Joseph Ishak* DATE: 2/21/05

SEAL

NORTH CAROLINA
PROFESSIONAL
SEAL
028380
ENGINEER
JOSEPH ISHAK

FINAL PAVEMENT MARKING PLAN

SCALE: NONE		REVISIONS
DATE: JAN. 2005		
DWG. BY: HAL		
DESIGN BY: HAL		
REVIEWED BY: JLP		

I7-FEB-2005 07:39
 \spts-cct50\N2552c\p\dm\vr-2552c-tc-bt\pm.dgn
 mclawandos AT TEL224250