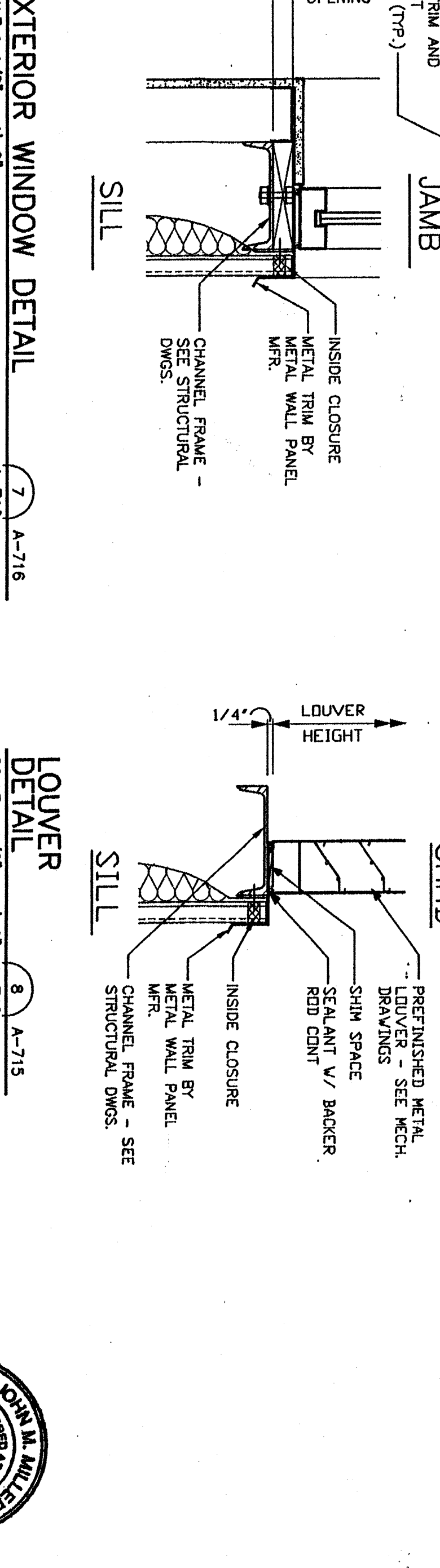
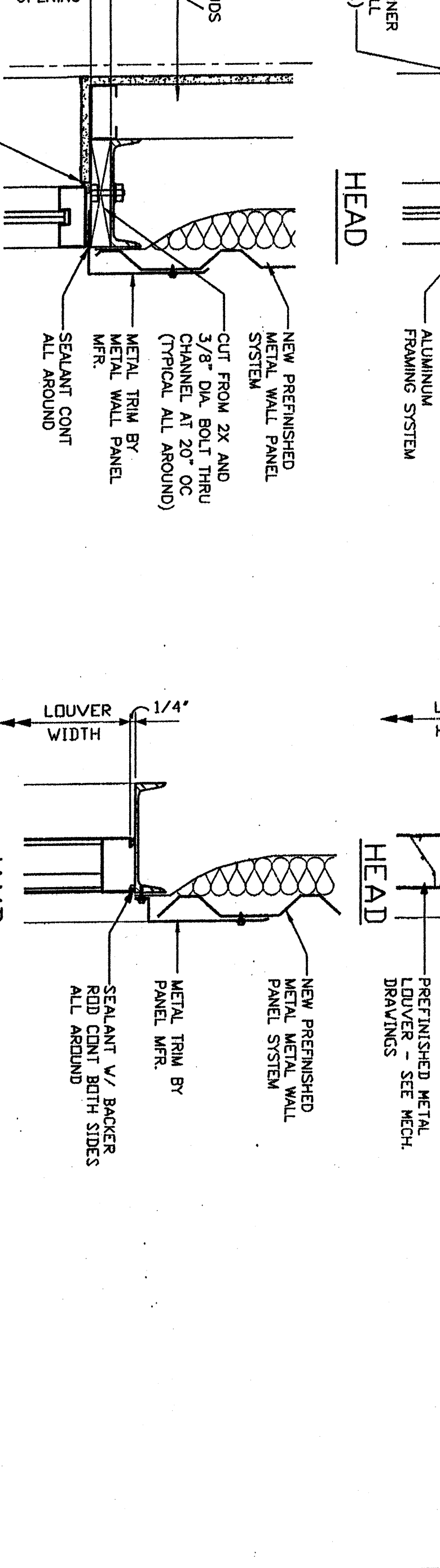
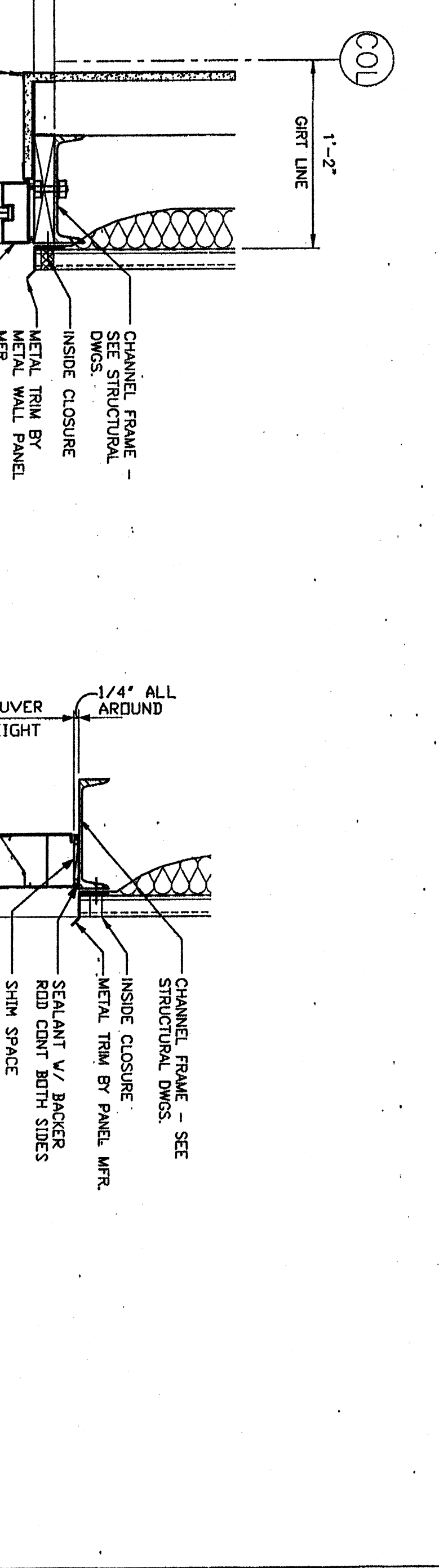
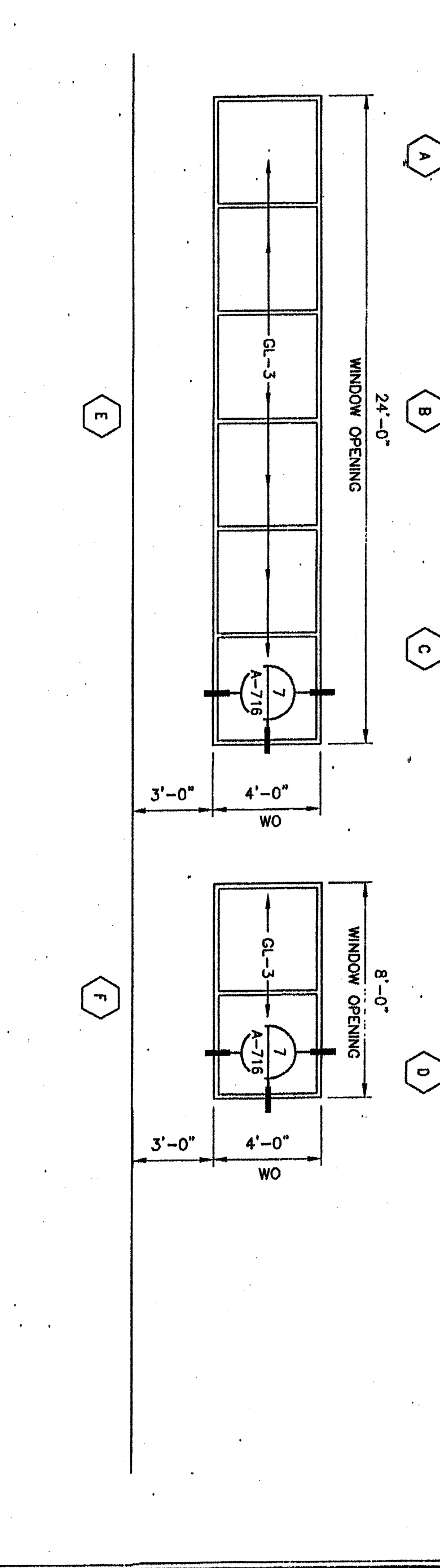
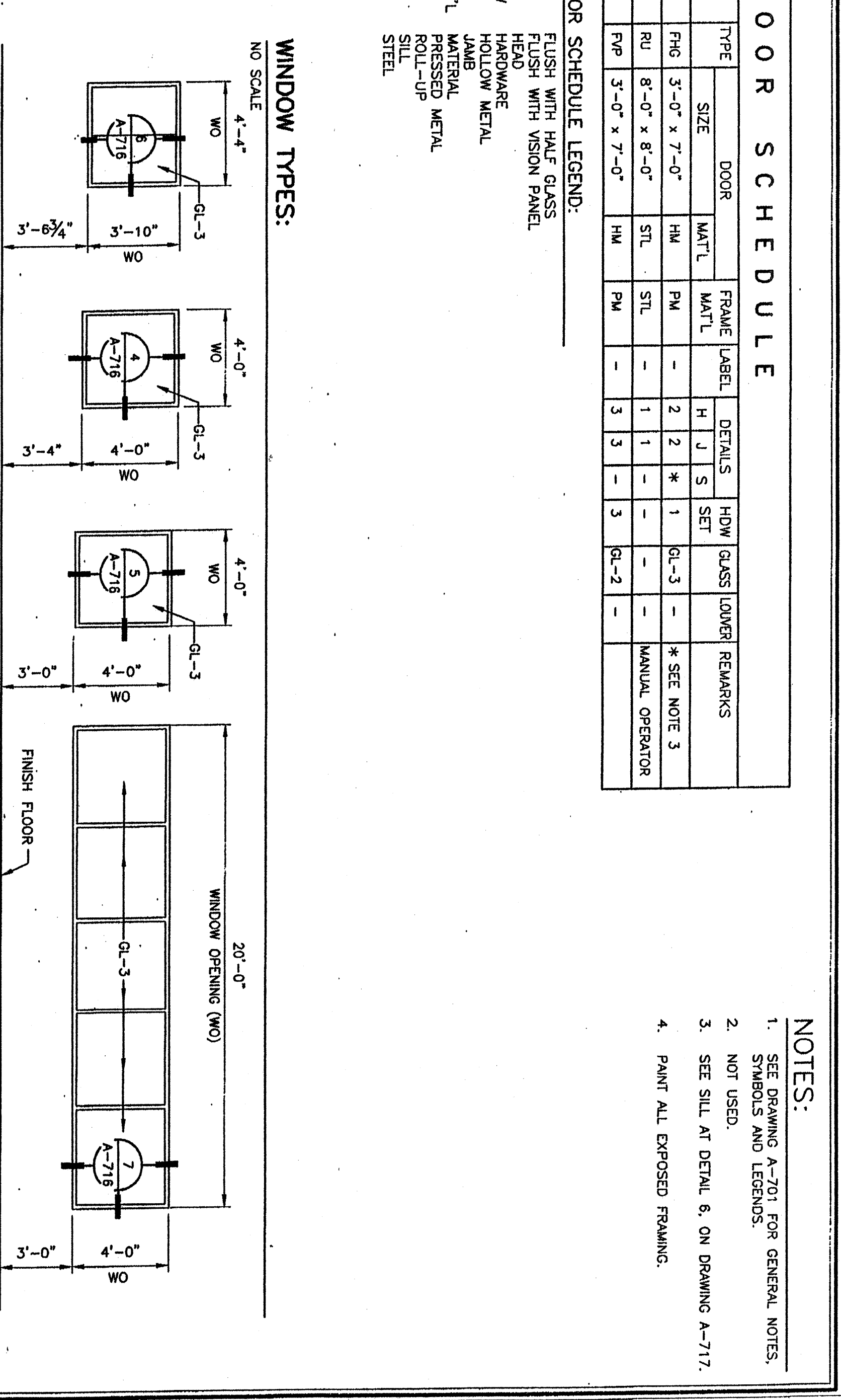
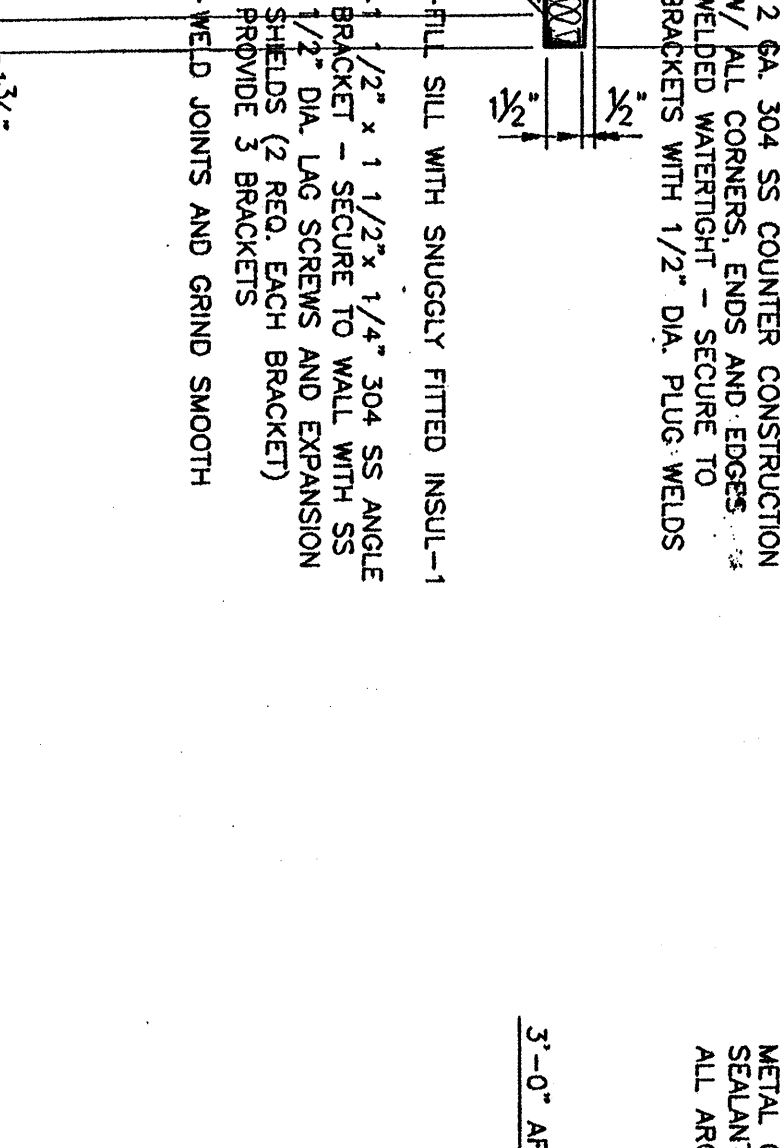
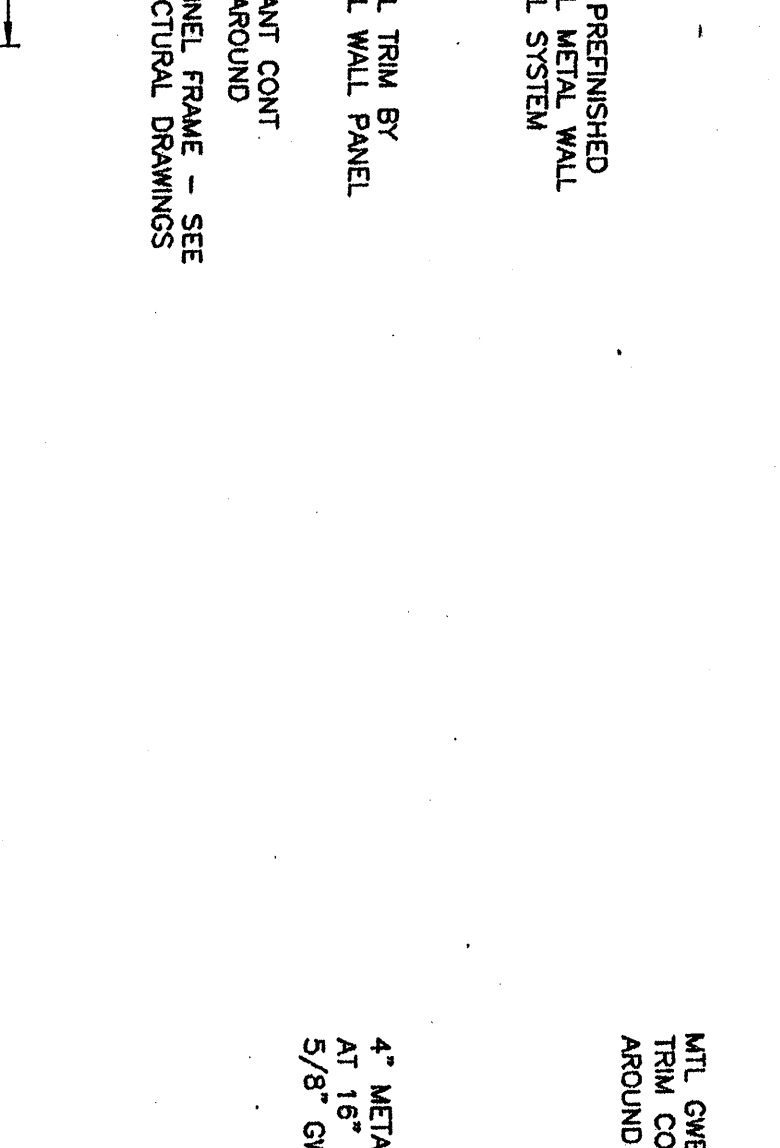
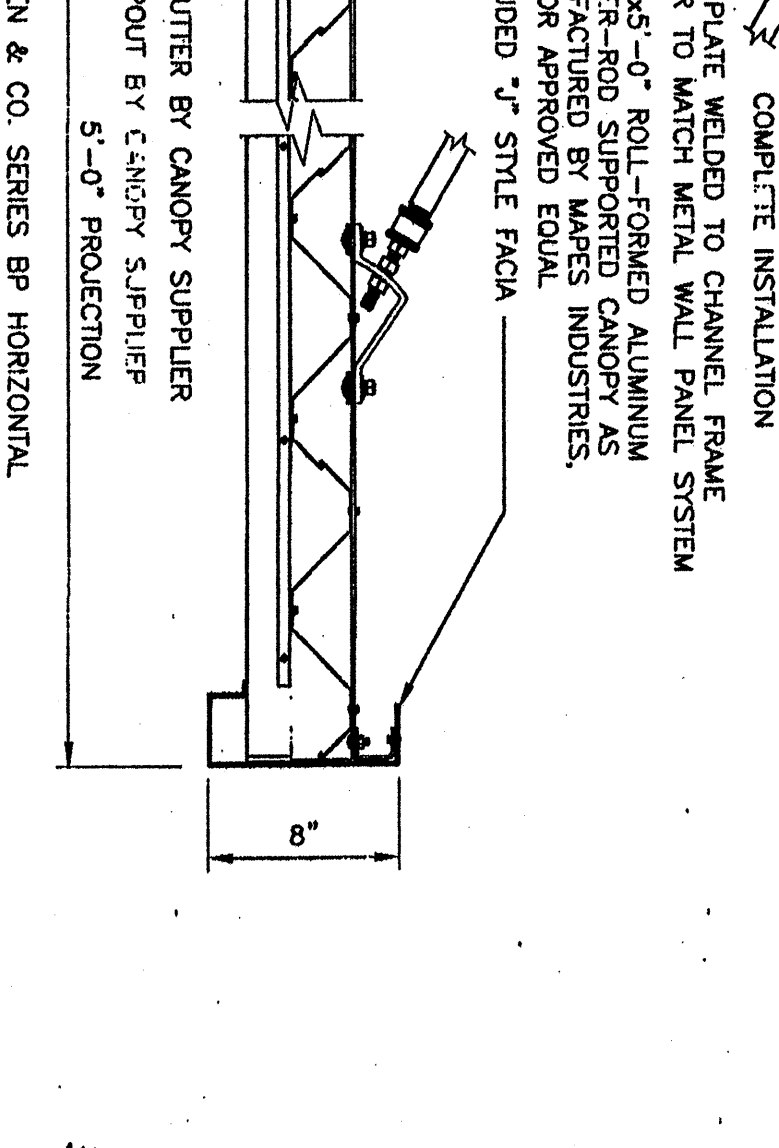
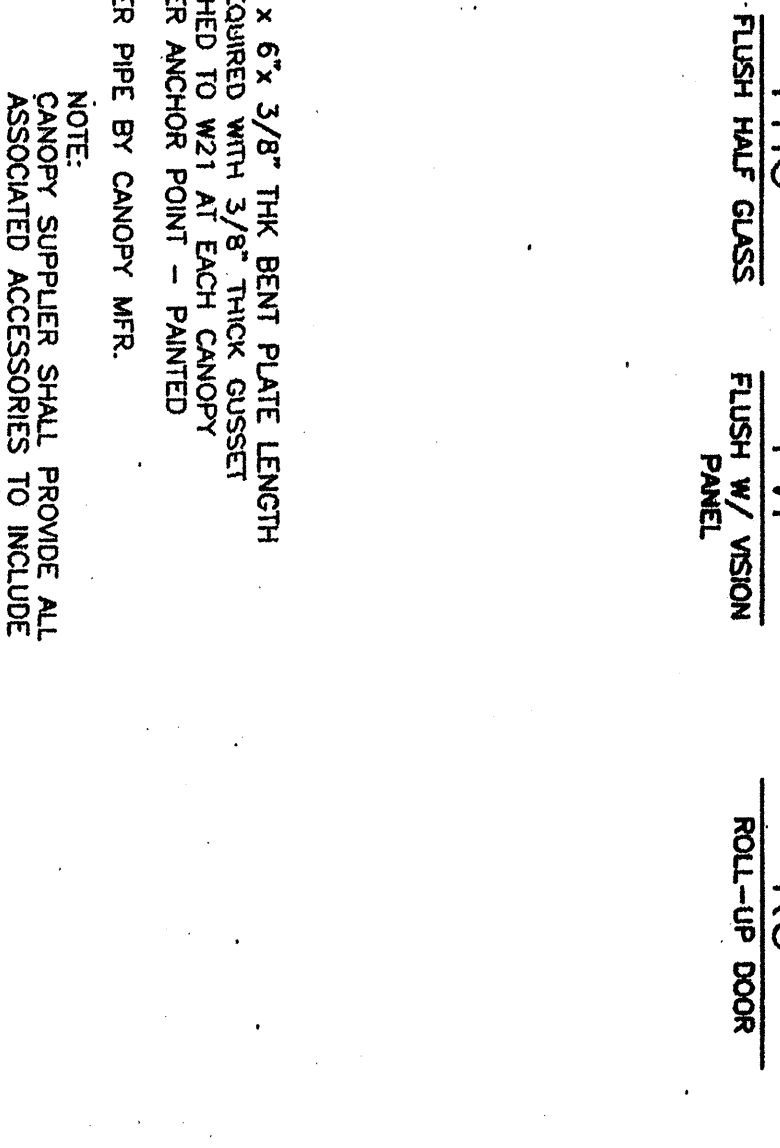


FINISH SCHEDULE

| ROOM | FLOOR | BASE | WALLS | CEILING | REFERENCE |
|------------|-------|------|-------|---------|-----------|
| TOL ROOM | SC | CMU | P-1 | EC | |
| PATCH ROOM | VC1 | RB | OMB-1 | P-3 | |
| STAR | SC | | OMB-1 | P-3 | EC |

DOOR SCHEDULE

| MARK | TYPE | SIZE | DOOR | FRAME | DETAILS | HOW | GLASS | LOWER | REMARKS |
|------|------|---------------|------|-------|-----------|-----|-------|-------|-----------------|
| TR1 | FLG | 3'-0" x 7'-0" | MATL | MATL | H J S SET | | GL-3 | | * SEE NOTE 3 |
| TR2 | RU | 8'-0" x 8'-0" | STL | STL | | | | | MANUAL OPERATOR |
| DT1 | FLP | 3'-0" x 7'-0" | MATL | MATL | | | GL-2 | | |



NOTES:
1. SEE DRAWING A-717 FOR GENERAL NOTES, SYMBOLS AND LEGENDS.
2. NOT USED.
3. SEE SILL AT DETAIL 6, ON DRAWING A-717.
4. PAINT ALL EXPOSED FRAMING.

16-FEB-2005 ISSUED FOR BID/CONSTRUCTION - STAGE 1 PACKAGE

LOCKWOOD GREENE ENGINEERING & CONSTRUCTION

LOCKWOOD GREENE ENGINEERING & CONSTRUCTION

PHASE VII MARINE MAINTENANCE FACILITY NORTH CAROLINA DEPARTMENT OF TRANSPORTATION MANN'S HARBOR, NC

