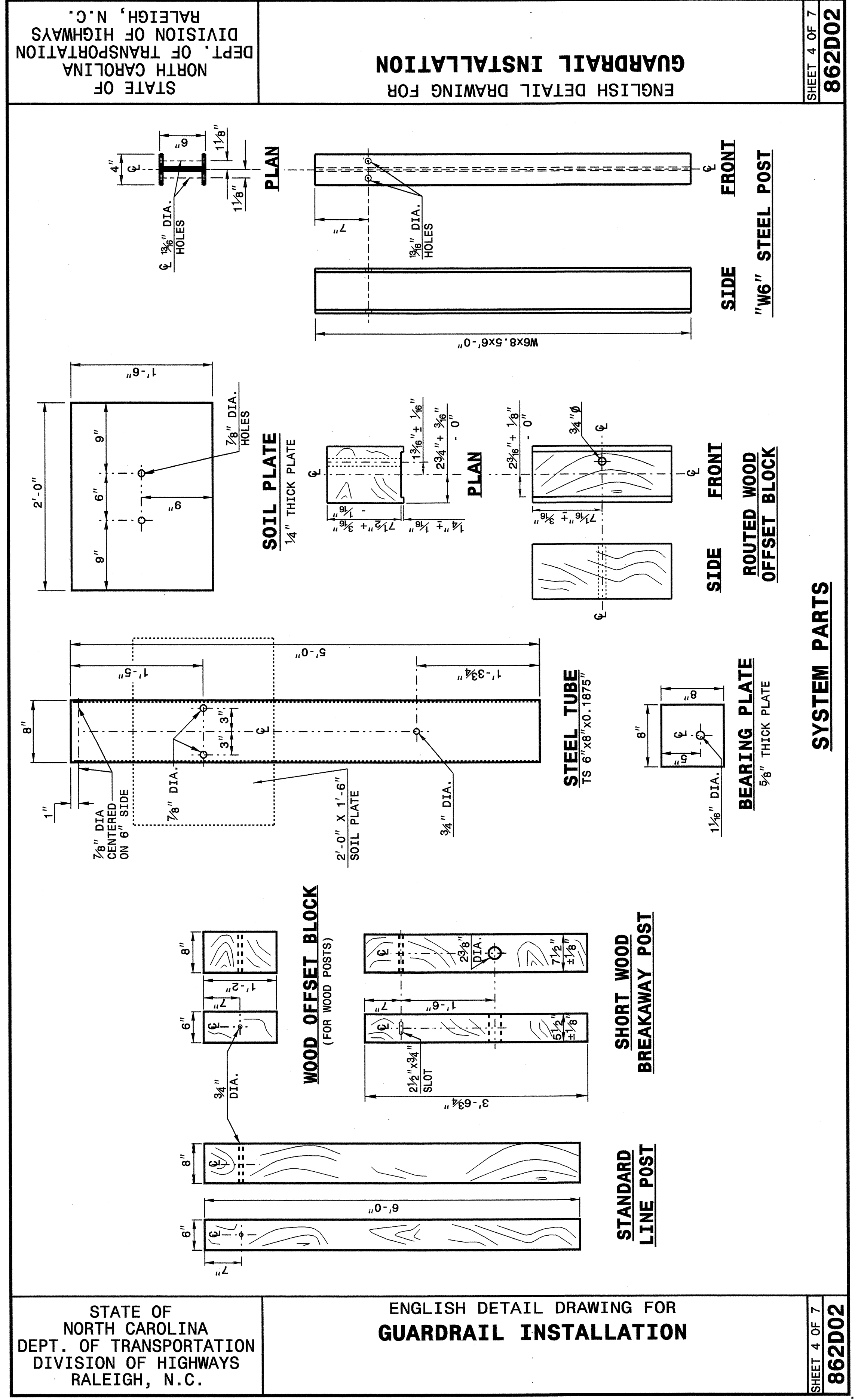


STATE OF NORTH CAROLINA DEPT. OF TRANSPORTATION DIVISION OF HIGHWAYS RALEIGH, N.C.

ENGLISH DETAIL DRAWING FOR GUARDRAIL INSTALLATION

SHEET 3 OF 7 862D02



STATE OF NORTH CAROLINA DEPT. OF TRANSPORTATION DIVISION OF HIGHWAYS RALEIGH, N.C.

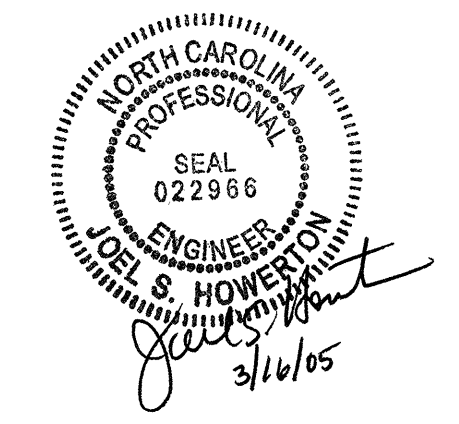
ENGLISH DETAIL DRAWING FOR GUARDRAIL INSTALLATION

SHEET 4 OF 7 862D02

DESIGN SERVICES UNIT  
STANDARDS AND SPECIAL DESIGN  
Office 919-250-4128 FAX 919-250-4119

**SEE PLATE FOR TITLE**

ORIGINAL BY: 2002 STD.862.02 DATE: 02-09-03  
 MODIFIED BY: E.E. WARD DATE: 4-29-04  
 CHECKED BY: [Signature] DATE: 4-29-04  
 FILE SPEC.: U691/stds/02todetail/english/86202/862d02.dgn



23-APR-2004 11:01:13 s:\server-d\stds\02\stds to Special Details\english\86202\0862d02.dgn