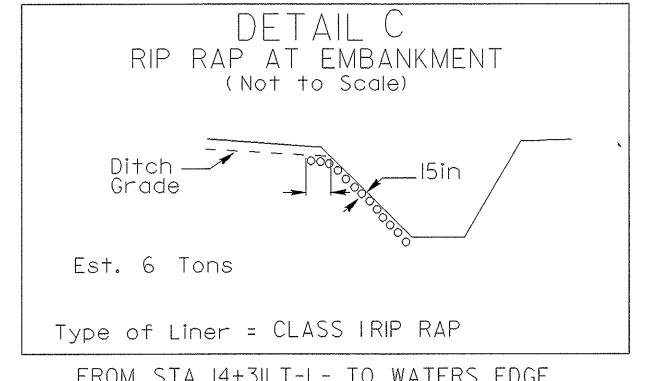
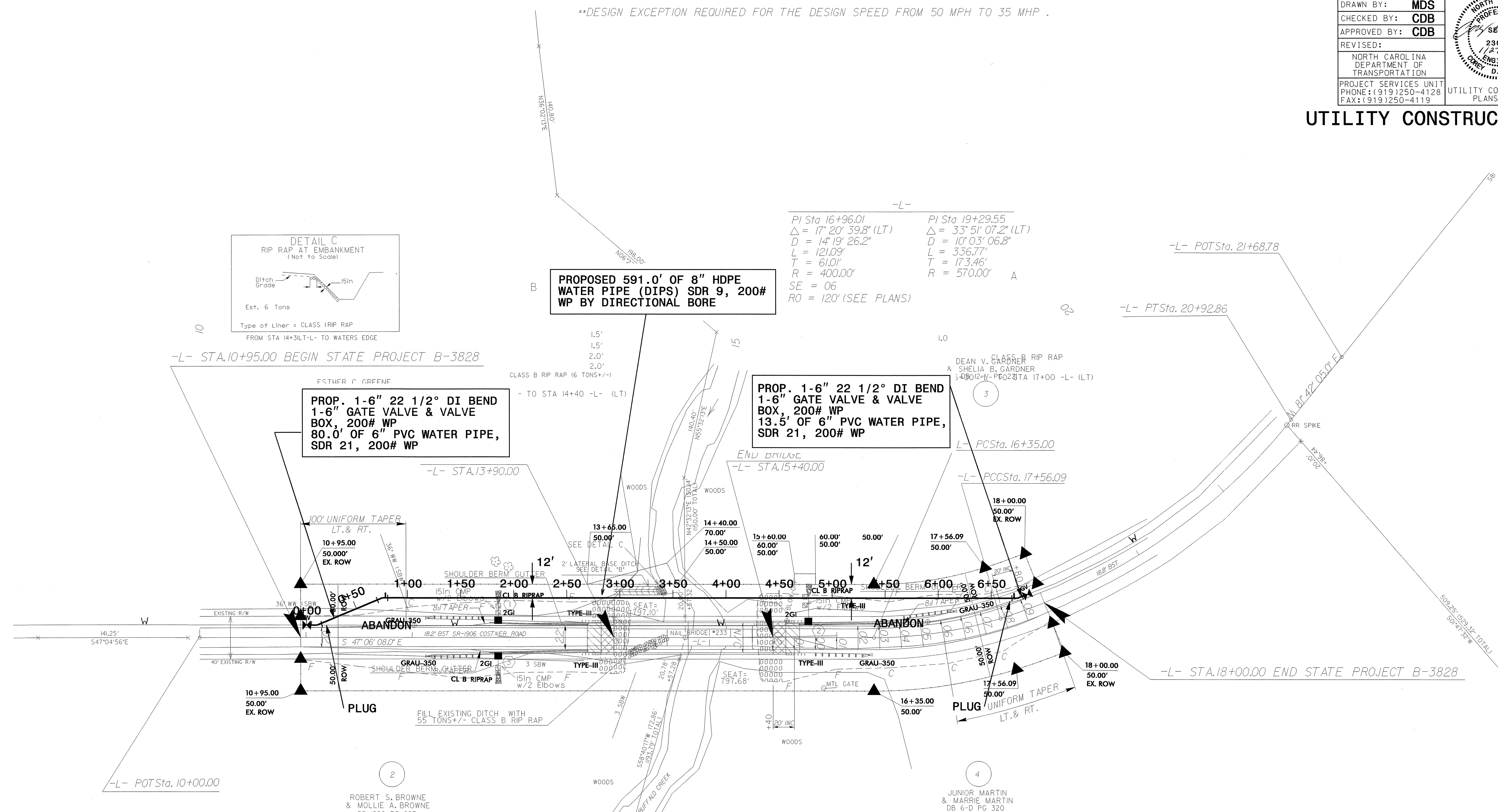


PROJECT REFERENCE NO.	SHEET NO.
B-3828	UC-2
DESIGNED BY: MDS	
DRAWN BY: MDS	
CHECKED BY: CDB	
APPROVED BY: CDB	
REVISED:	
NORTH CAROLINA DEPARTMENT OF TRANSPORTATION	
PROJECT SERVICES UNIT PHONE: (919) 250-4128 FAX: (919) 250-4119	
UTILITY CONSTRUCTION PLANS ONLY	

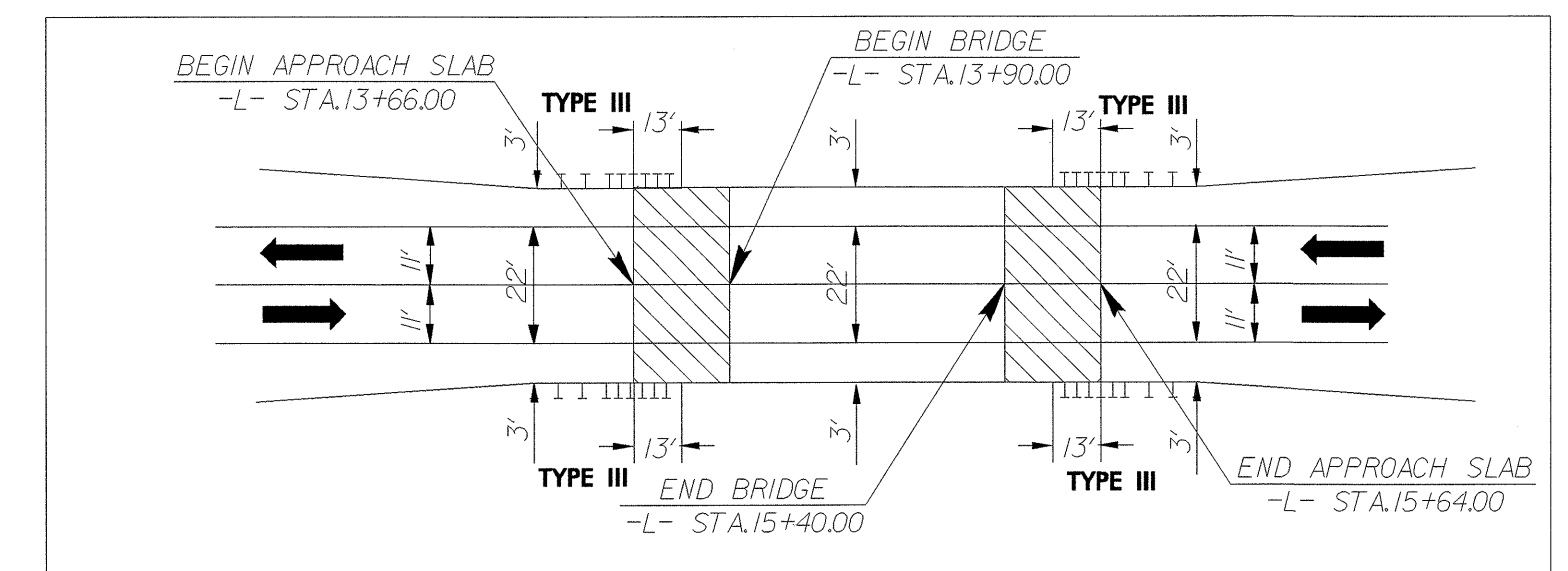
UTILITY CONSTRUCTION

**DESIGN EXCEPTION REQUIRED FOR THE DESIGN SPEED FROM 50 MPH TO 35 MPH.

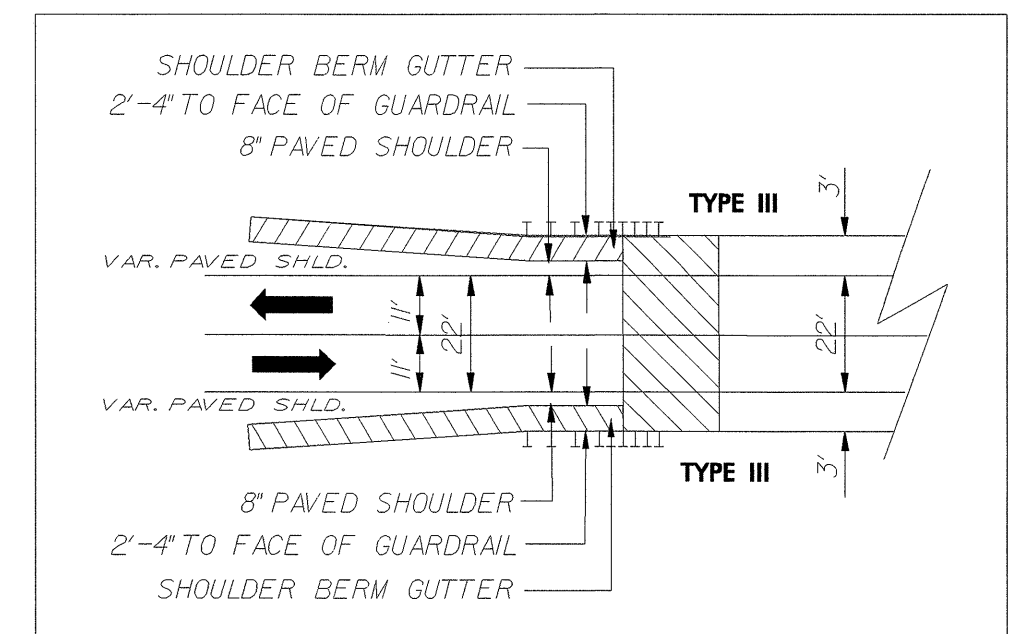


$PI\ Sta\ 16+96.01$
 $\Delta = 17' 20' 39.8" (LT)$
 $D = 14' 19' 26.2"$
 $L = 121.09'$
 $T = 61.01'$
 $R = 400.00'$
 $SE = 06$
 $RO = 120' (SEE\ PLANS)$

$PI\ Sta\ 19+29.55$
 $\Delta = 33' 51' 07.2" (LT)$
 $D = 10' 03' 06.8"$
 $L = 336.77'$
 $T = 173.46'$
 $R = 570.00'$



SKETCH SHOWING RELATIONSHIP OF BRIDGE TO PAVEMENT AND SHOULDERS



DETAIL OF PAVED SHOULDER AND SHOULDER BERM GUTTER

- NOTES:
- FOR PROFILE SEE SHEET 5
 - FOR STRUCTURE PLANS, SEE SHEET S-1 THRU S-4

5/14/95