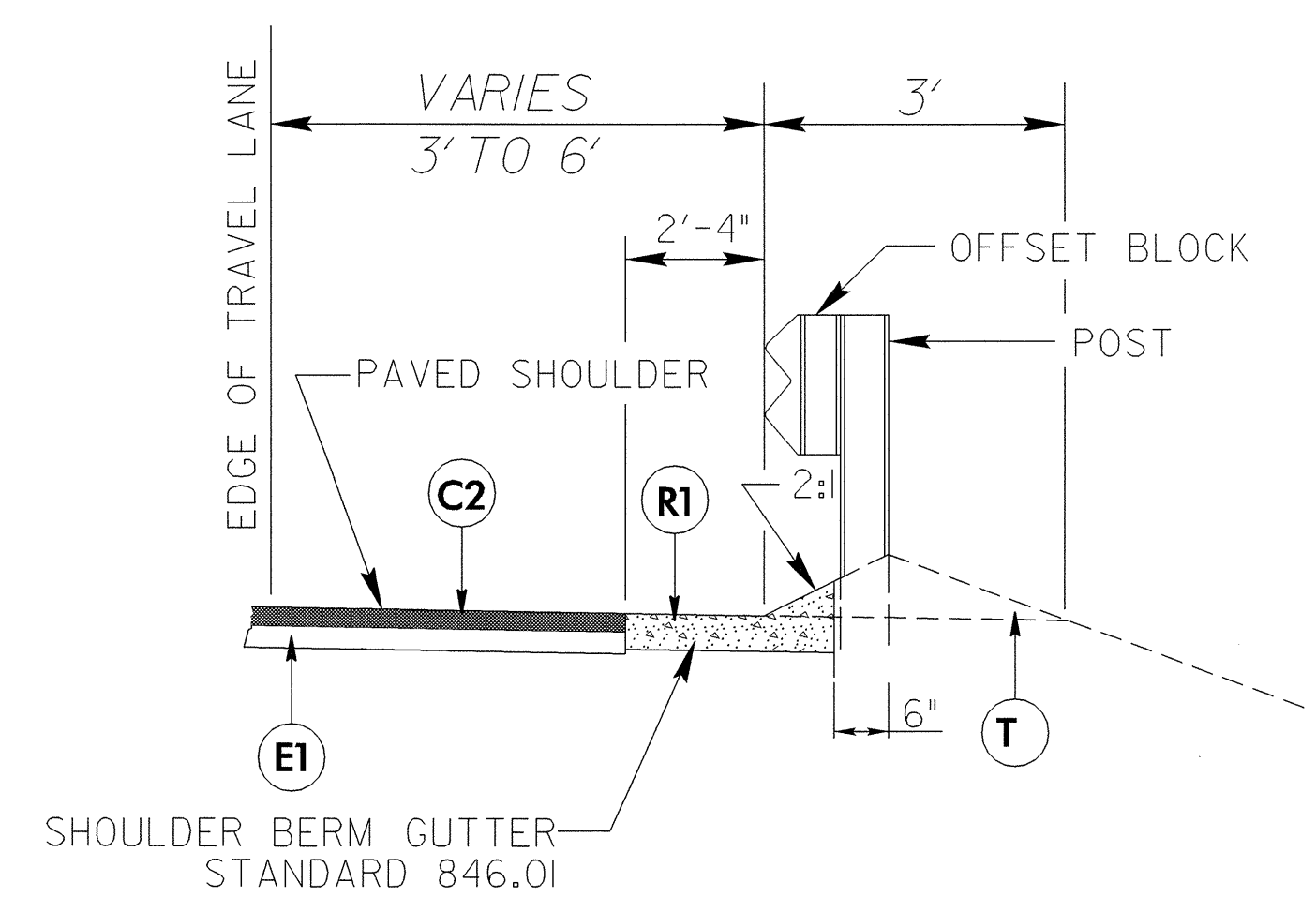
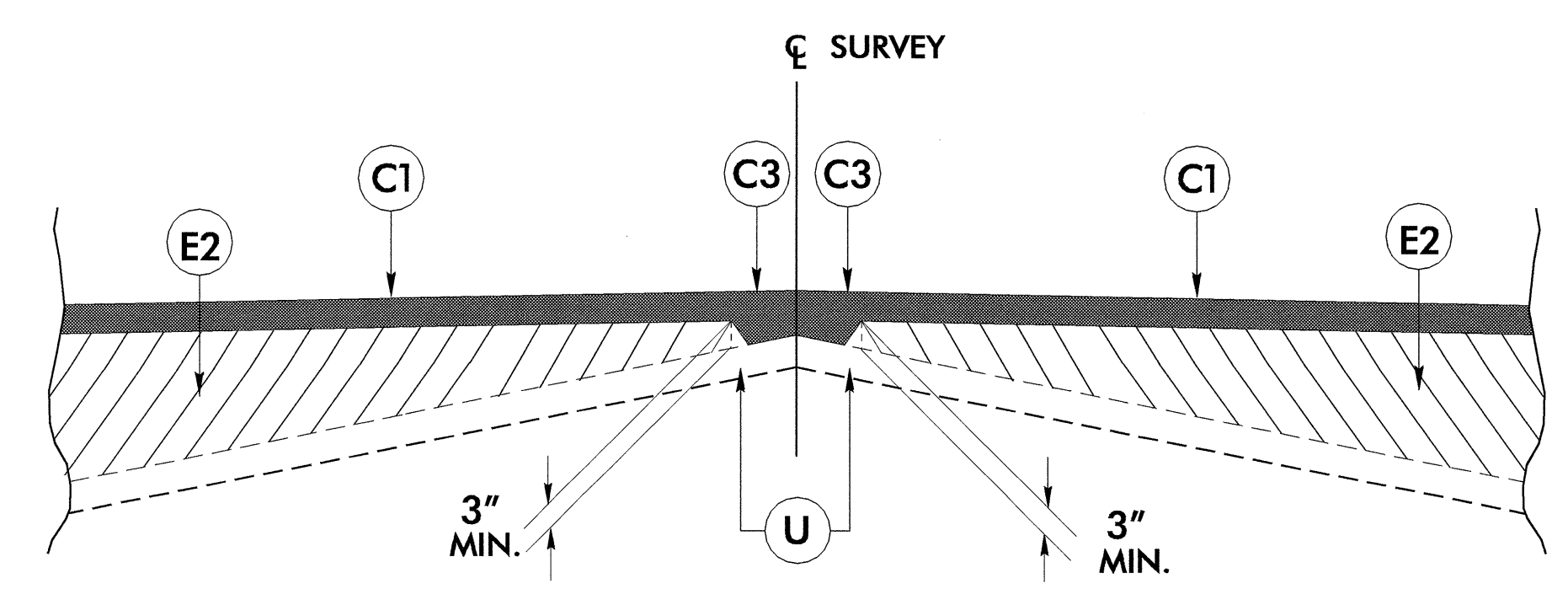


FINAL PAVEMENT SCHEDULE	
C1	PROP. APPROX. 1 1/4" ASPHALT CONCRETE SURFACE COURSE, TYPE SF9.5A, AT AN AVERAGE RATE OF 137.50 LBS. PER SQ. YD.
C2	PROP. APPROX. 2 1/2" ASPHALT CONCRETE SURFACE COURSE, TYPE SF9.5A, AT AN AVERAGE RATE OF 137.50 LBS. PER SQ. YD. IN EACH OF TWO LAYERS.
C3	PROP. VAR. DEPTH ASPHALT CONCRETE SURFACE COURSE, TYPE SF9.5A, AT AN AVERAGE RATE OF 110 LBS. PER SQ. YD. PER 1" DEPTH. TO BE PLACED IN LAYERS NOT TO EXCEED 1 1/4" IN DEPTH.
E1	PROP. APPROX. 3" ASPHALT CONCRETE BASE COURSE, TYPE B25.0B, AT AN AVERAGE RATE OF 342 LBS. PER SQ. YD.
E2	PROP. VAR. DEPTH ASPHALT CONCRETE BASE COURSE, TYPE B25.0B, AT AN AVERAGE RATE OF 114 LBS. PER SQ. YD. PER 1" DEPTH. TO BE PLACED IN LAYERS NOT LESS THAN 3" IN DEPTH OR GREATER THAN 5 1/2" IN DEPTH.
R1	SHOULDER BERM GUTTER
T	EARTH MATERIAL.
U	EXISTING PAVEMENT.
W	VARIABLE DEPTH ASPHALT PAVEMENT.

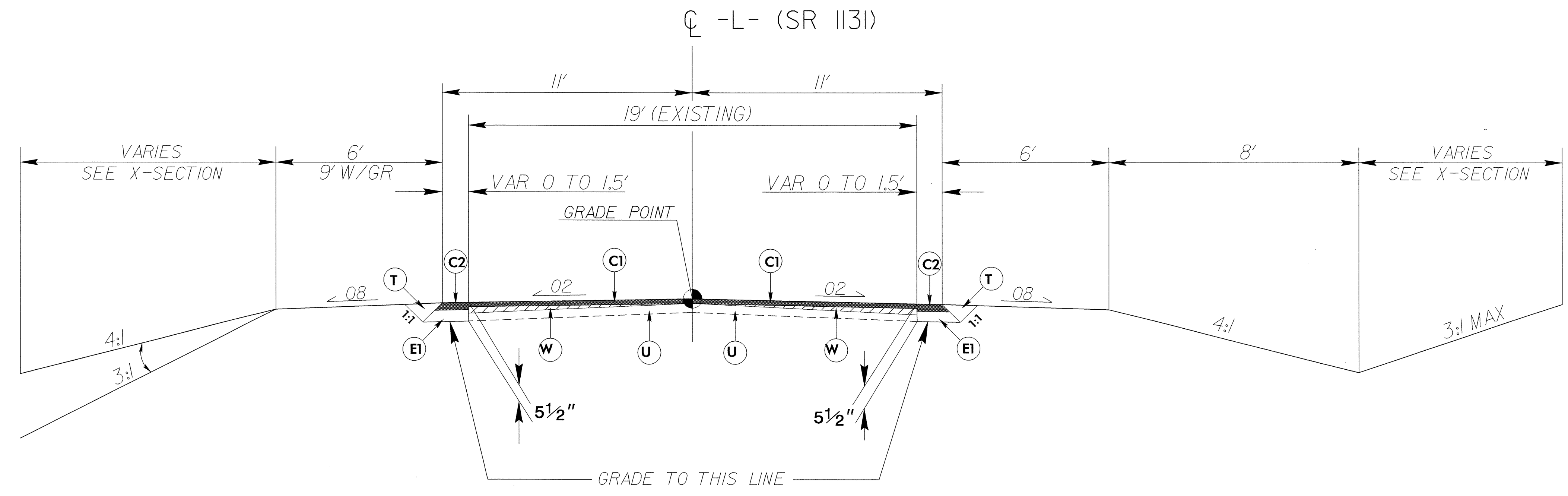
NOTE: PAVEMENT EDGE SLOPES ARE 1:1 UNLESS SHOWN OTHERWISE.



**DETAIL SHOWING SHOULDER BERM GUTTER**  
USE WITH TYPICAL SECTION NO. 2



**Detail Showing Method of Wedging**  
USE WITH TYPICAL SECTION NO. 1



**TYPICAL SECTION NO. 1**

USE TYPICAL SECTION NO. 1

- L- STA. 18+00.00 TO STA. 18+50.00,  
TRANSITION FROM EXIST. TO TYPICAL SECTION 1
- L- STA. 18+50.00 TO STA. 20+50.00
- L- STA. 29+00.00 TO STA. 30+00.00
- L- STA. 30+00.00 TO STA. 30+50.00,  
TRANSITION FROM TYPICAL SECTION 1 TO EXIST.