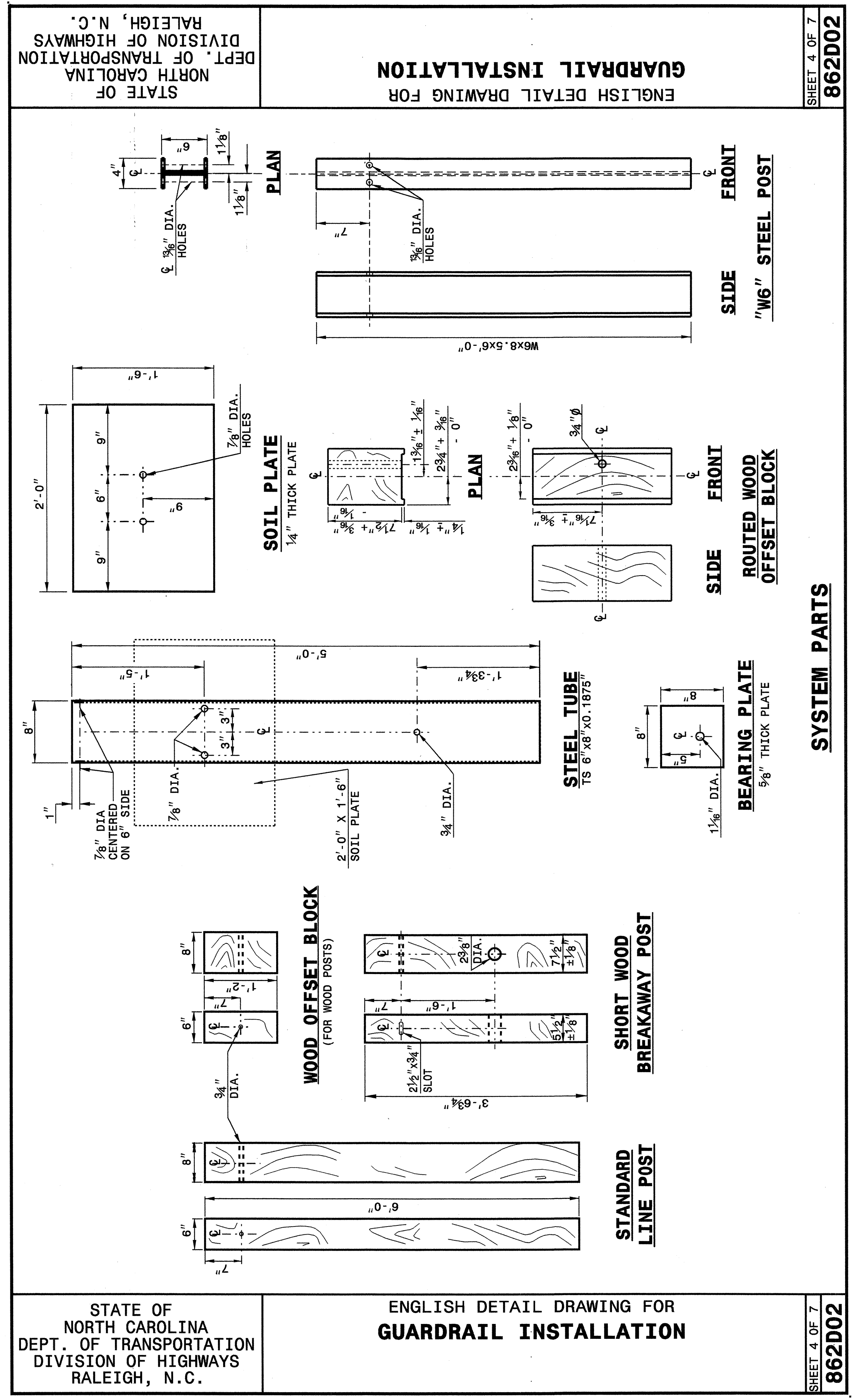


STATE OF NORTH CAROLINA DEPT. OF TRANSPORTATION DIVISION OF HIGHWAYS RALEIGH, N.C.

ENGLISH DETAIL DRAWING FOR GUARDRAIL INSTALLATION

SHEET 3 OF 7 862D02



STATE OF NORTH CAROLINA DEPT. OF TRANSPORTATION DIVISION OF HIGHWAYS RALEIGH, N.C.

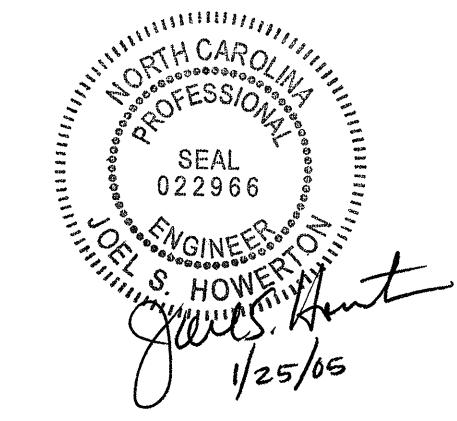
ENGLISH DETAIL DRAWING FOR GUARDRAIL INSTALLATION

SHEET 4 OF 7 862D02

DESIGN SERVICES UNIT  
STANDARDS AND SPECIAL DESIGN  
Office 919-250-4128 FAX 919-250-4119

SEE PLATE FOR TITLE

ORIGINAL BY: 2002 STD. 862.02 DATE: 02-09-03  
MODIFIED BY: E.E. WARD DATE: 02-09-03  
CHECKED BY: *Joel S. Howerton* DATE: 4-29-04  
FILE SPEC.: /usr/stds/02detdetail/english/86202/862d02.dgn



23-APR-2004 11:01 W:\Special\_Details\erjward\stds\02\stds to Special\_Details\english\86202\0862d02.dgn erjward AT 05212260 5/14/05