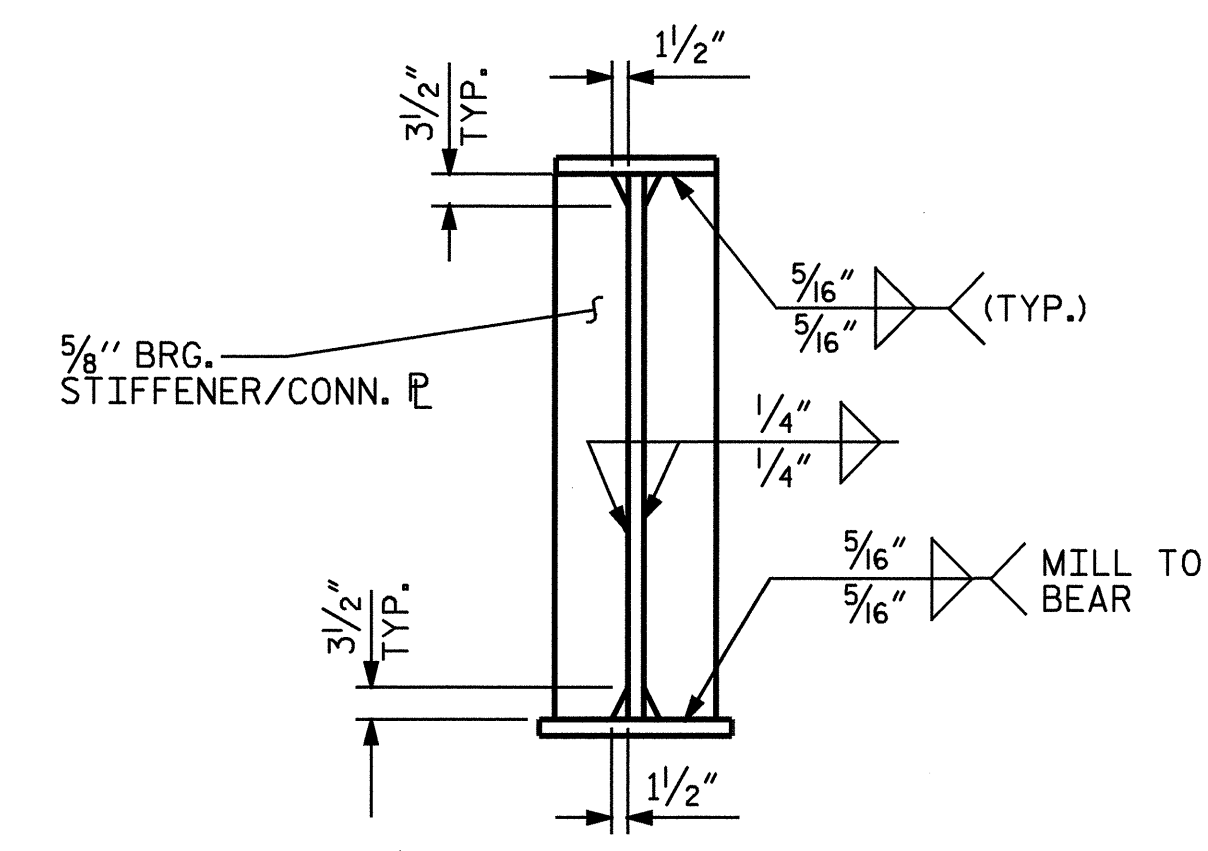
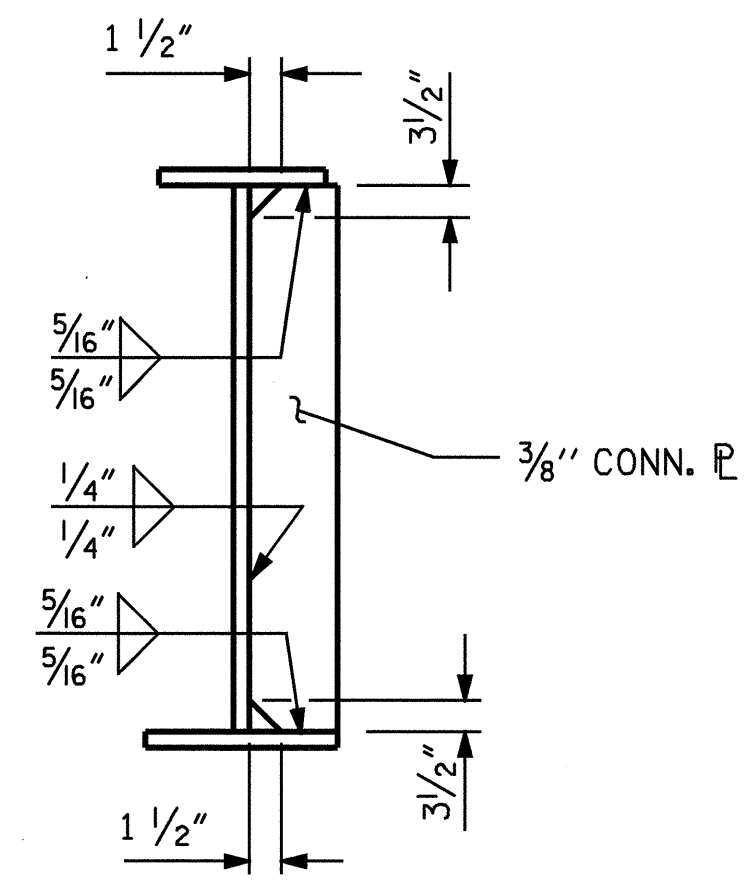


TYPICAL END BENT DIAPHRAGM

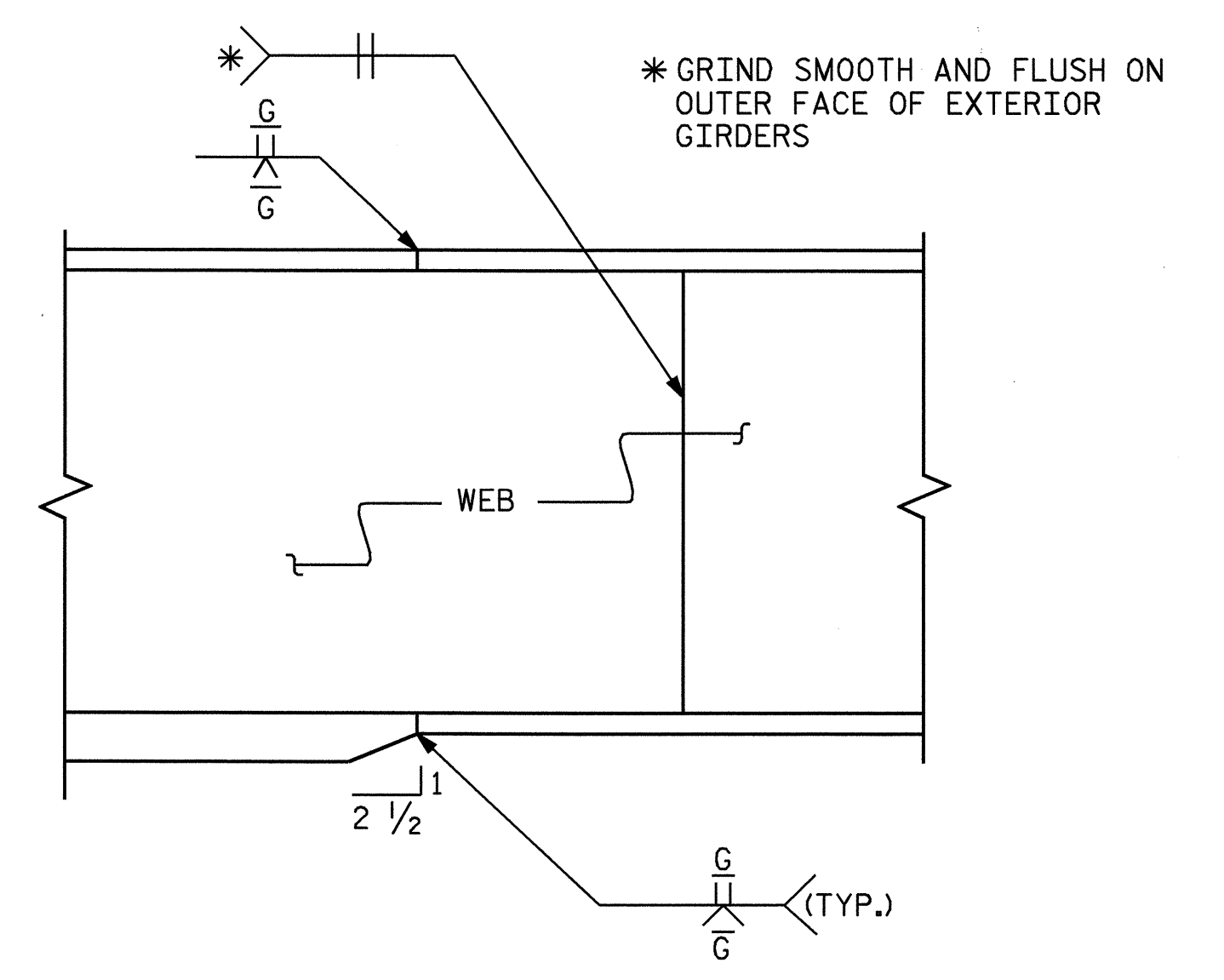


BEARING STIFFENER @ END BENTS

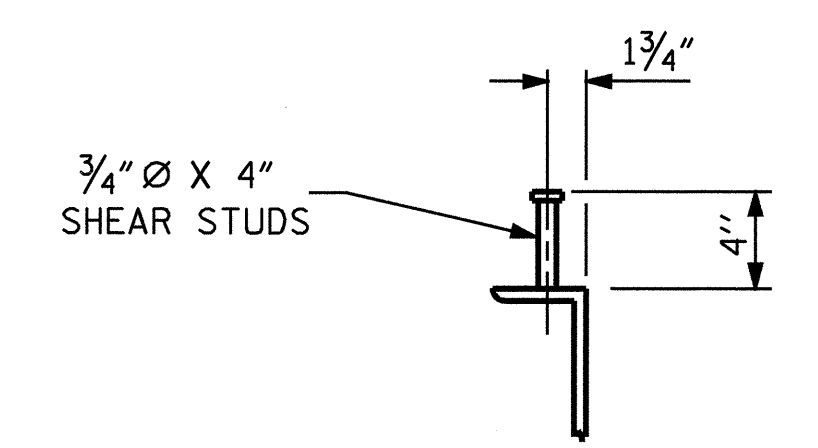
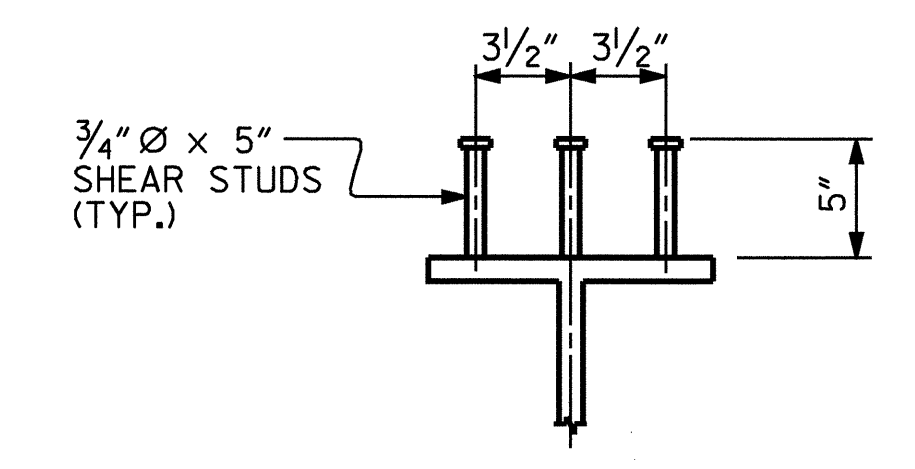
NOTE: BEARING STIFFENER MAY REQUIRE COPING IF WIDER THAN BOTTOM FLANGE TO AVOID INTERFERENCE WITH THE ANCHOR BOLTS.



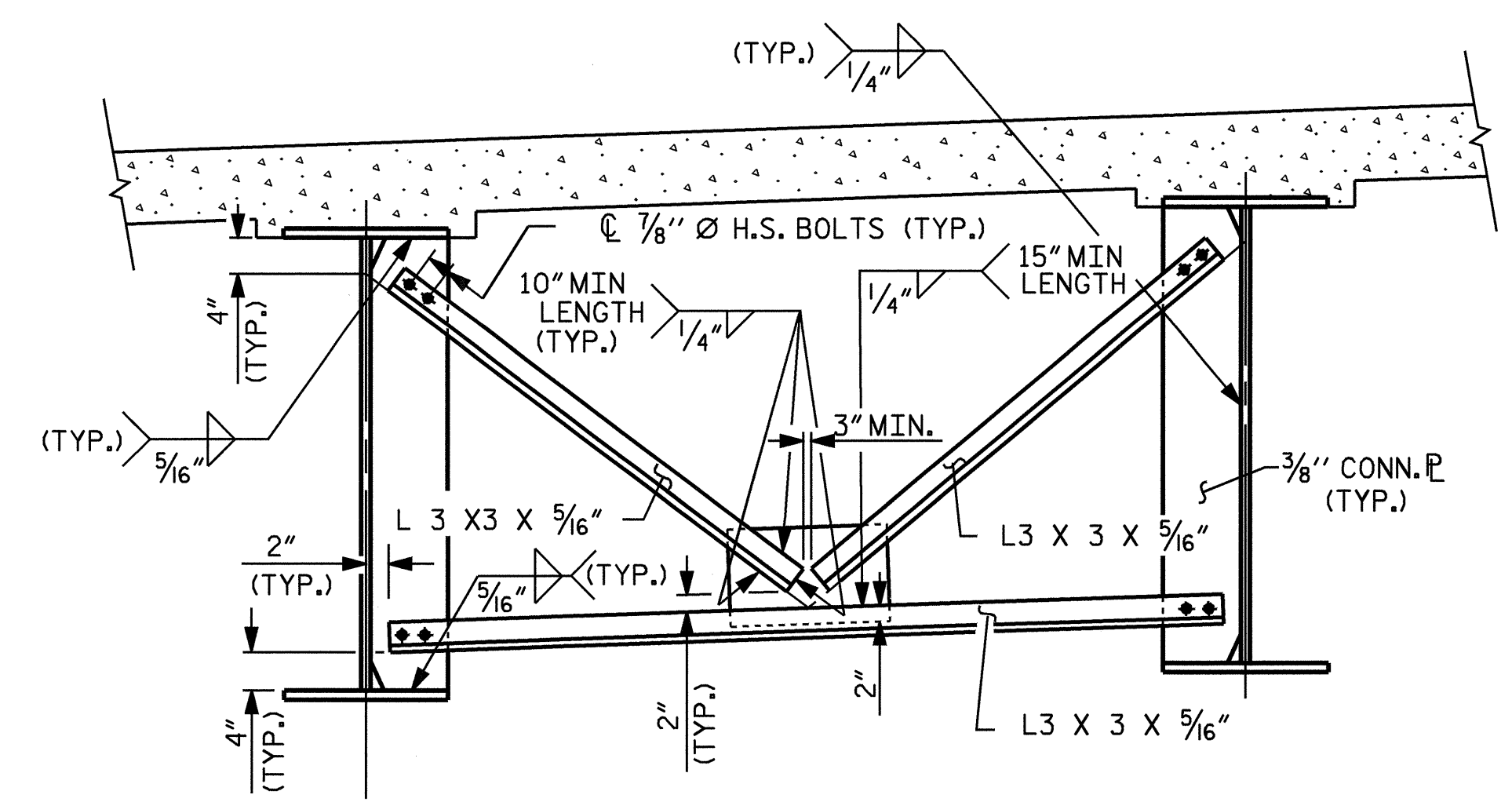
INTERMEDIATE DIAPHRAGM CONNECTOR PLATE



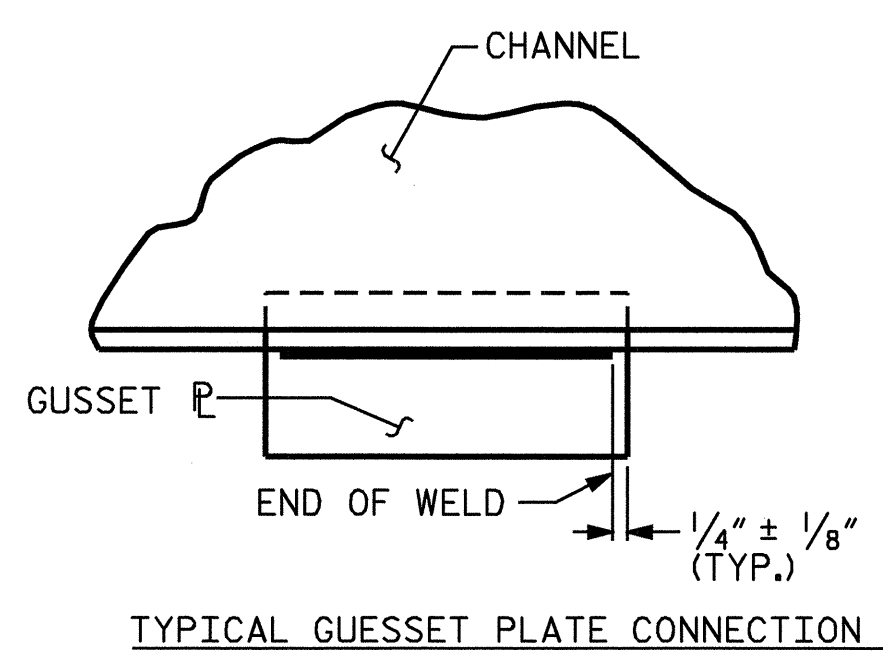
**ELEVATION
TYPICAL FLANGE AND WEB BUTT JOINT**



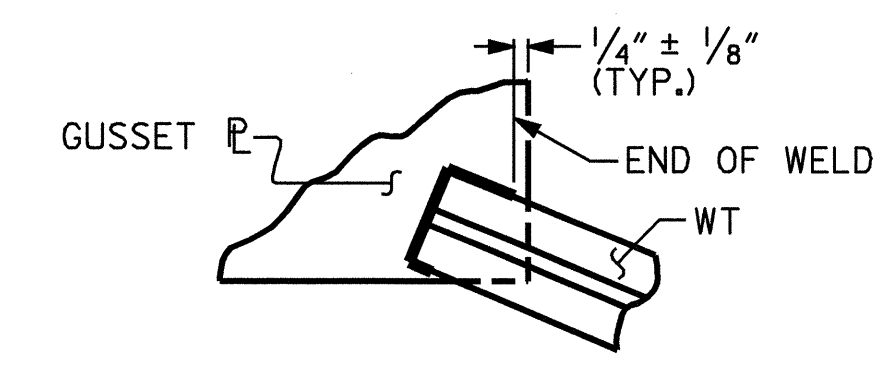
SHEAR STUD DETAILS



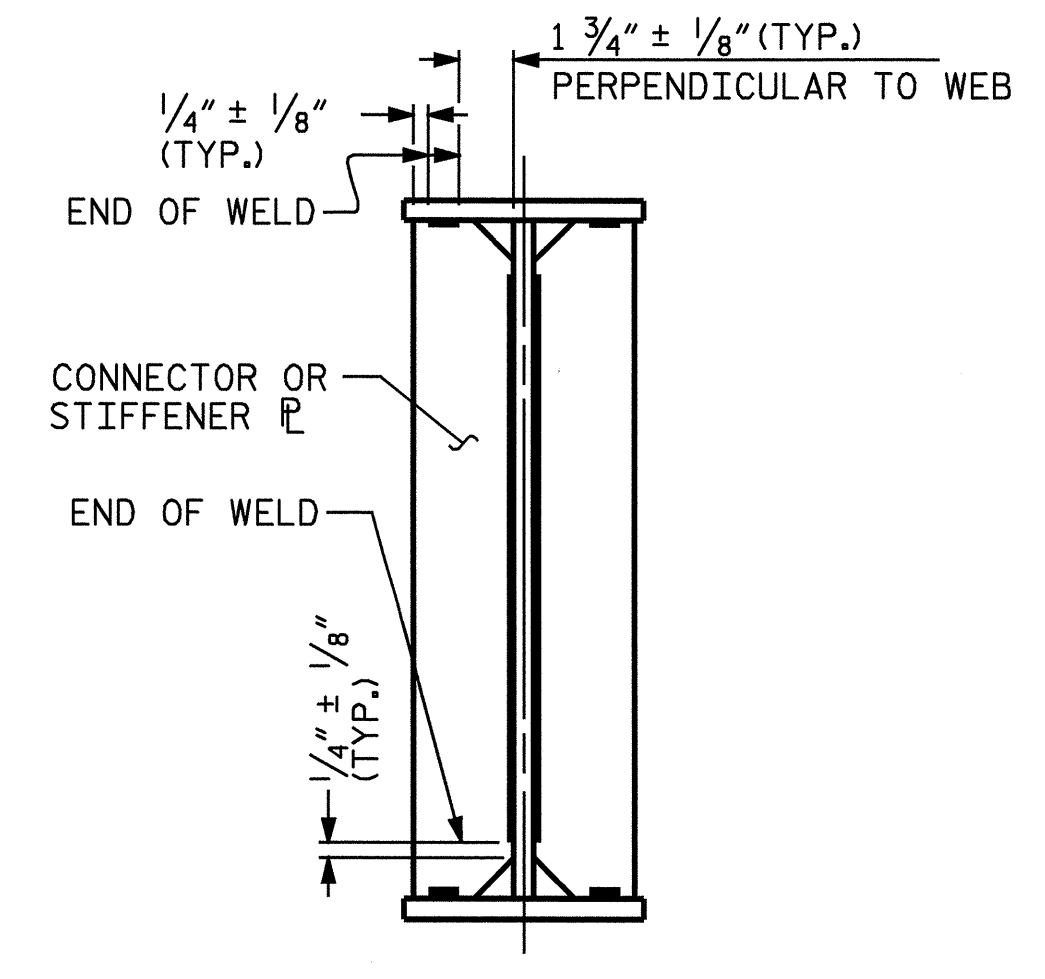
TYPICAL INTERMEDIATE DIAPHRAGM



TYPICAL GUSSET PLATE CONNECTION



TYPICAL "TEE" TO GUSSET PLATE CONNECTION



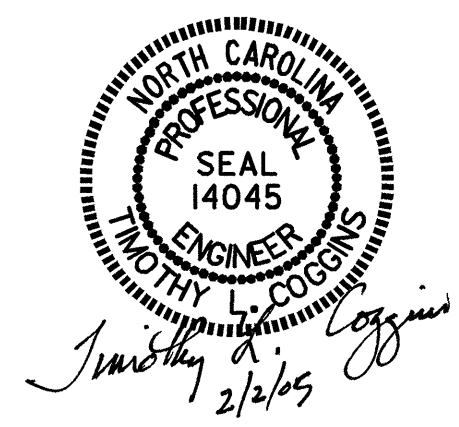
TYPICAL STIFFENER OR CONNECTOR PLATE CONNECTIONS

WELD TERMINATION DETAILS

PROJECT NO. B-4327
WILSON COUNTY
STATION: 23+80.00 -L-

SHEET 2 OF 3

STATE OF NORTH CAROLINA
DEPARTMENT OF TRANSPORTATION
RALEIGH
SUPERSTRUCTURE
STRUCTURAL STEEL
DETAILS



REVISIONS						SHEET NO.	
NO.	BY:	DATE:	NO.	BY:	DATE:	S-8	
1			3			TOTAL SHEETS 24	
2			4				