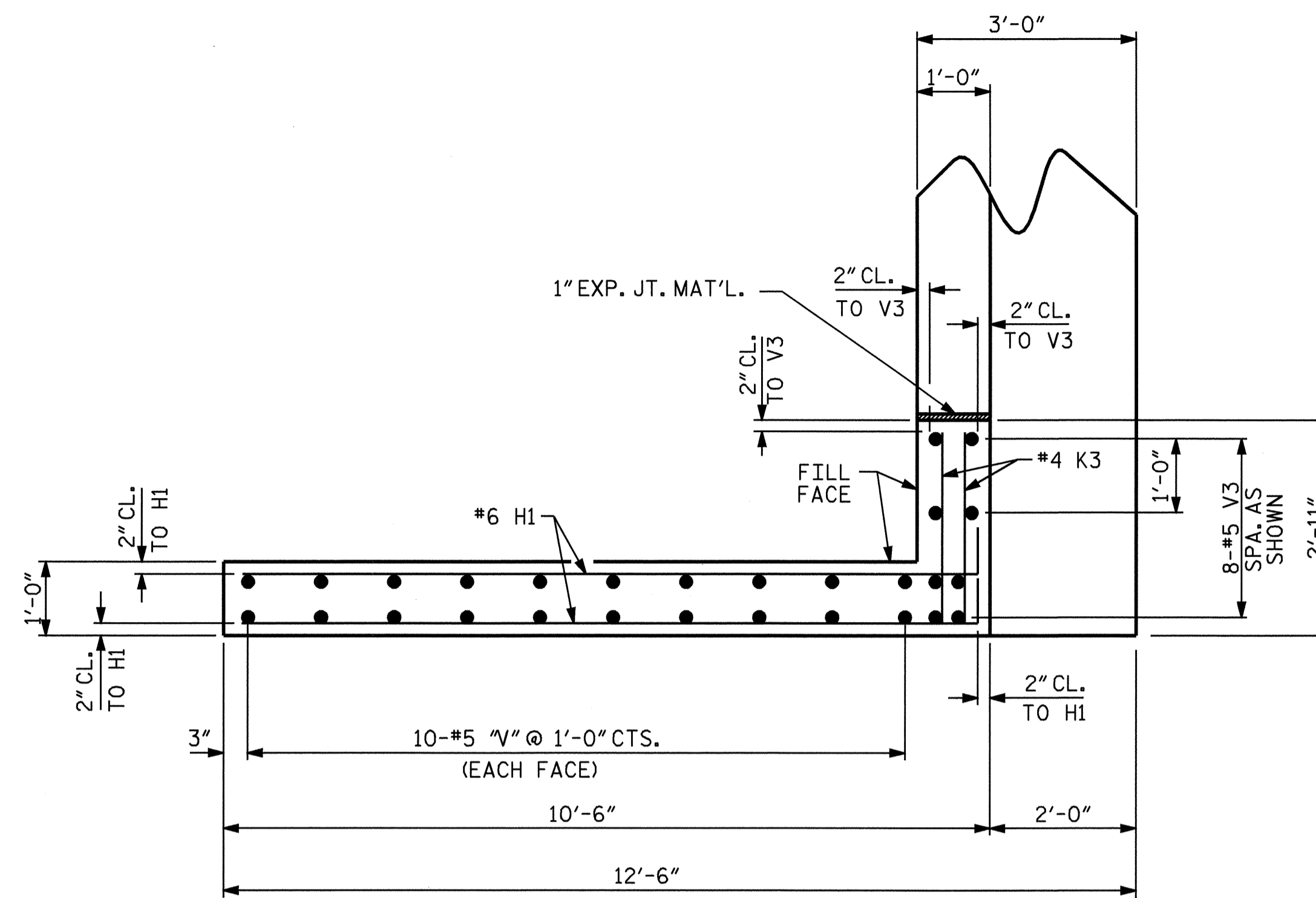
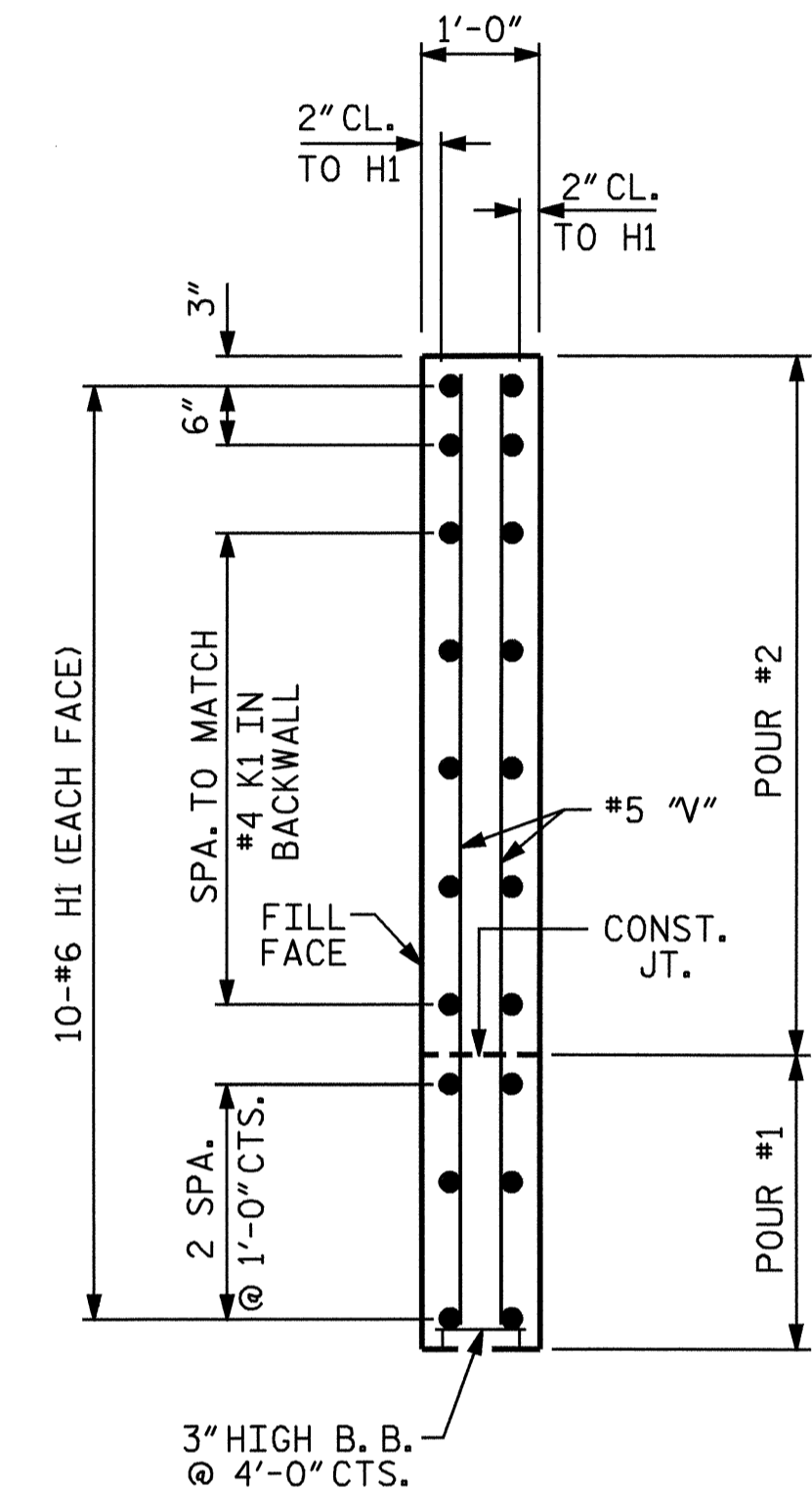


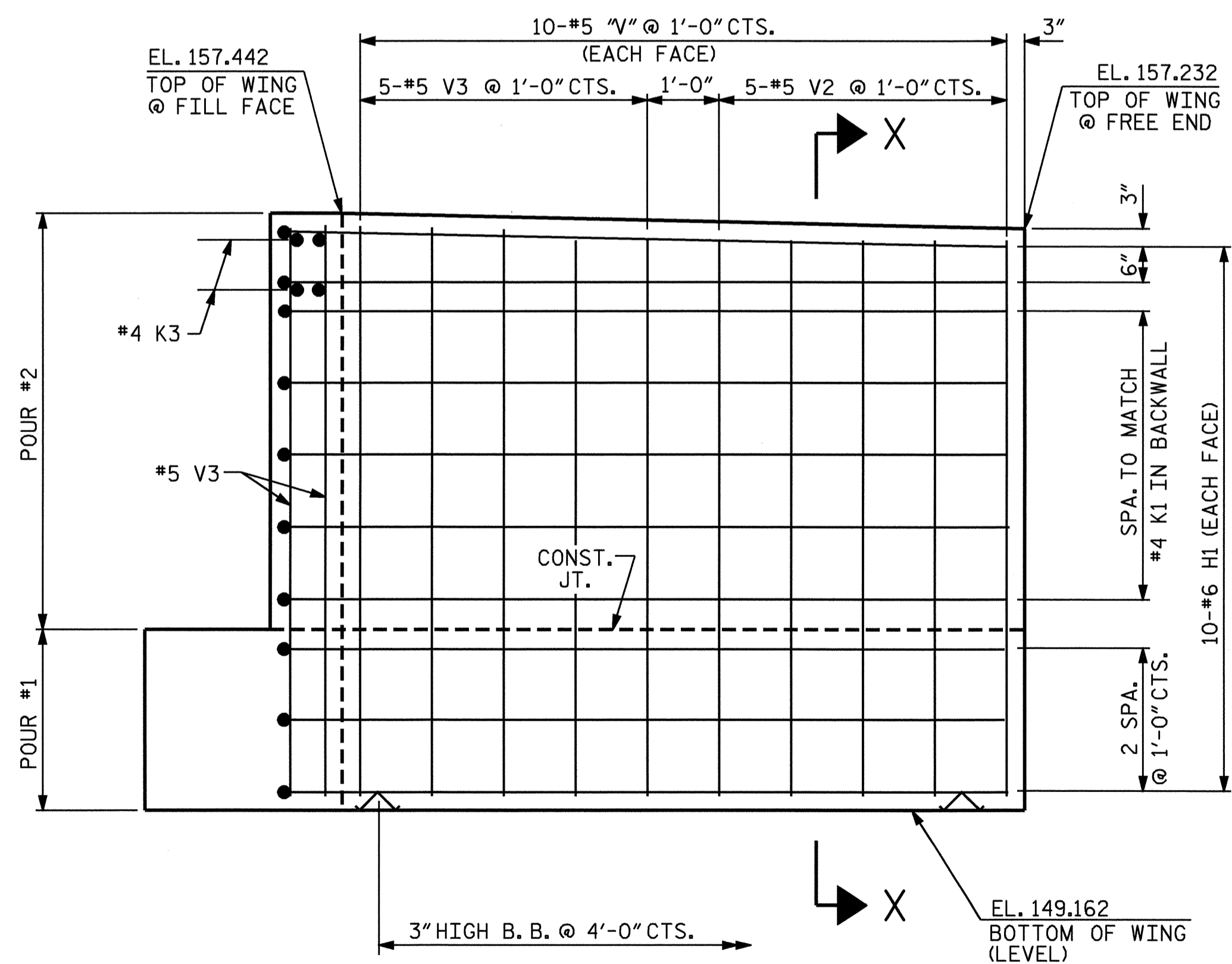
PLAN OF LEFT WING W1



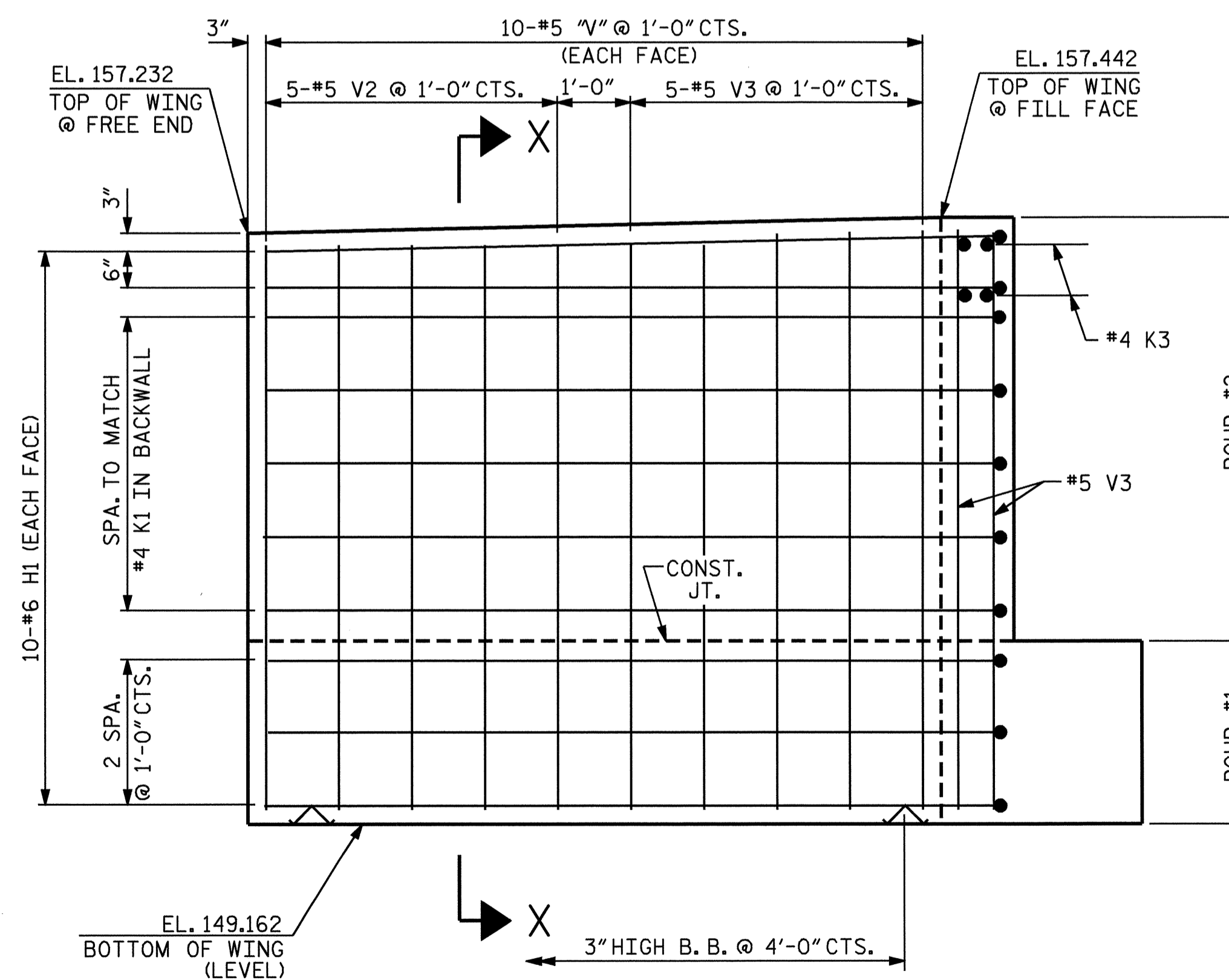
PLAN OF RIGHT WING W2



SECTION X-X



ELEVATION OF LEFT WING W1



ELEVATION OF RIGHT WING W2

PROJECT NO. B-4327
 WILSON COUNTY
 STATION: 23+80.00 -L-

SHEET 2 OF 3

STATE OF NORTH CAROLINA
 DEPARTMENT OF TRANSPORTATION
 RALEIGH

SUBSTRUCTURE
 END BENT #1



DRAWN BY: PEGGY ADKINS DATE: 11-04
 CHECKED BY: G. KOUCHEKI DATE: 11-04

02-FEB-2005 08:41
 W:\squad\b4327\padklns\MICROS\B4327-SD-E1_01.dgn
 padklns

REVISIONS						SHEET NO.
NO.	BY:	DATE:	NO.	BY:	DATE:	S-15
1			3			TOTAL SHEETS
2			4			24