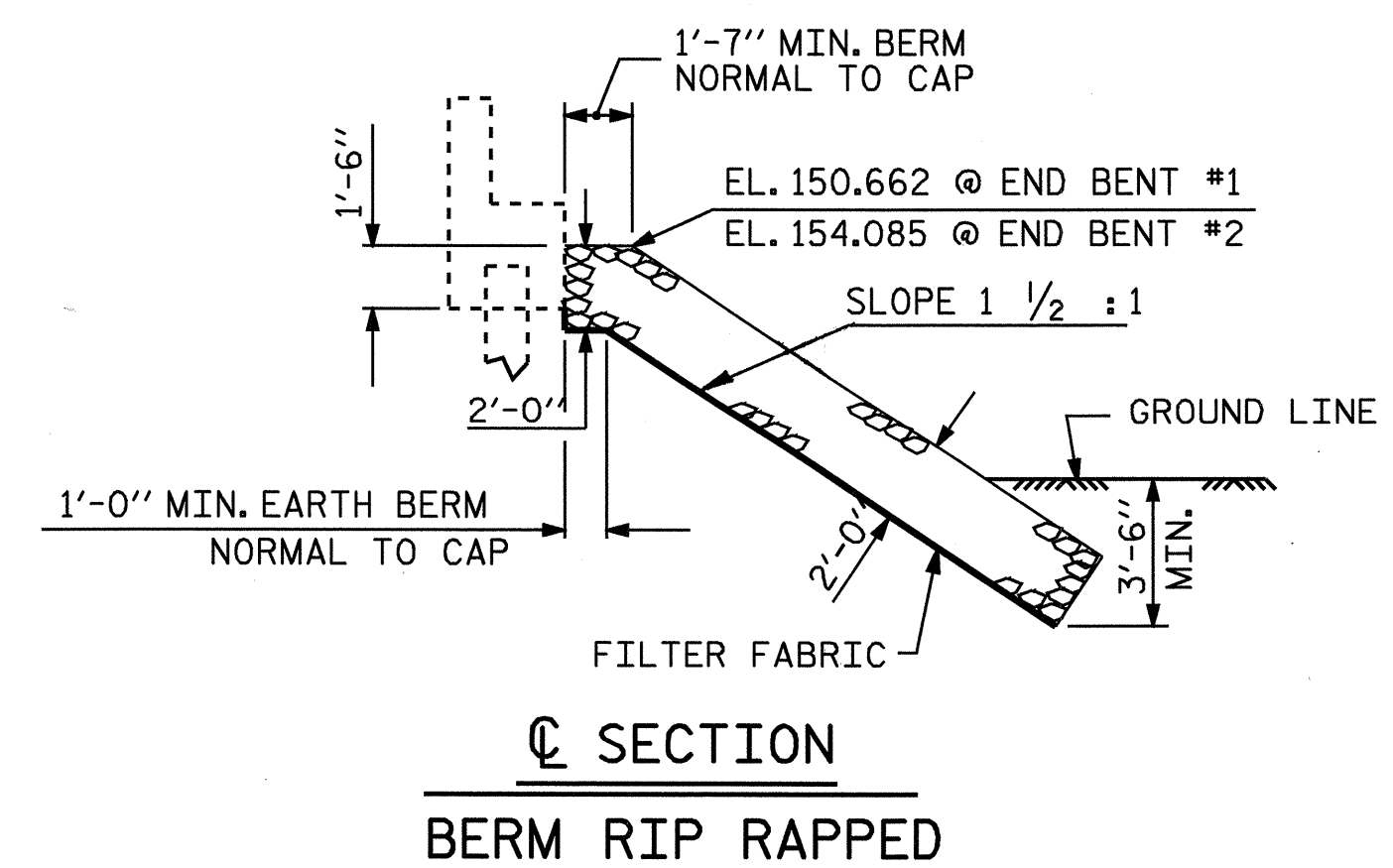
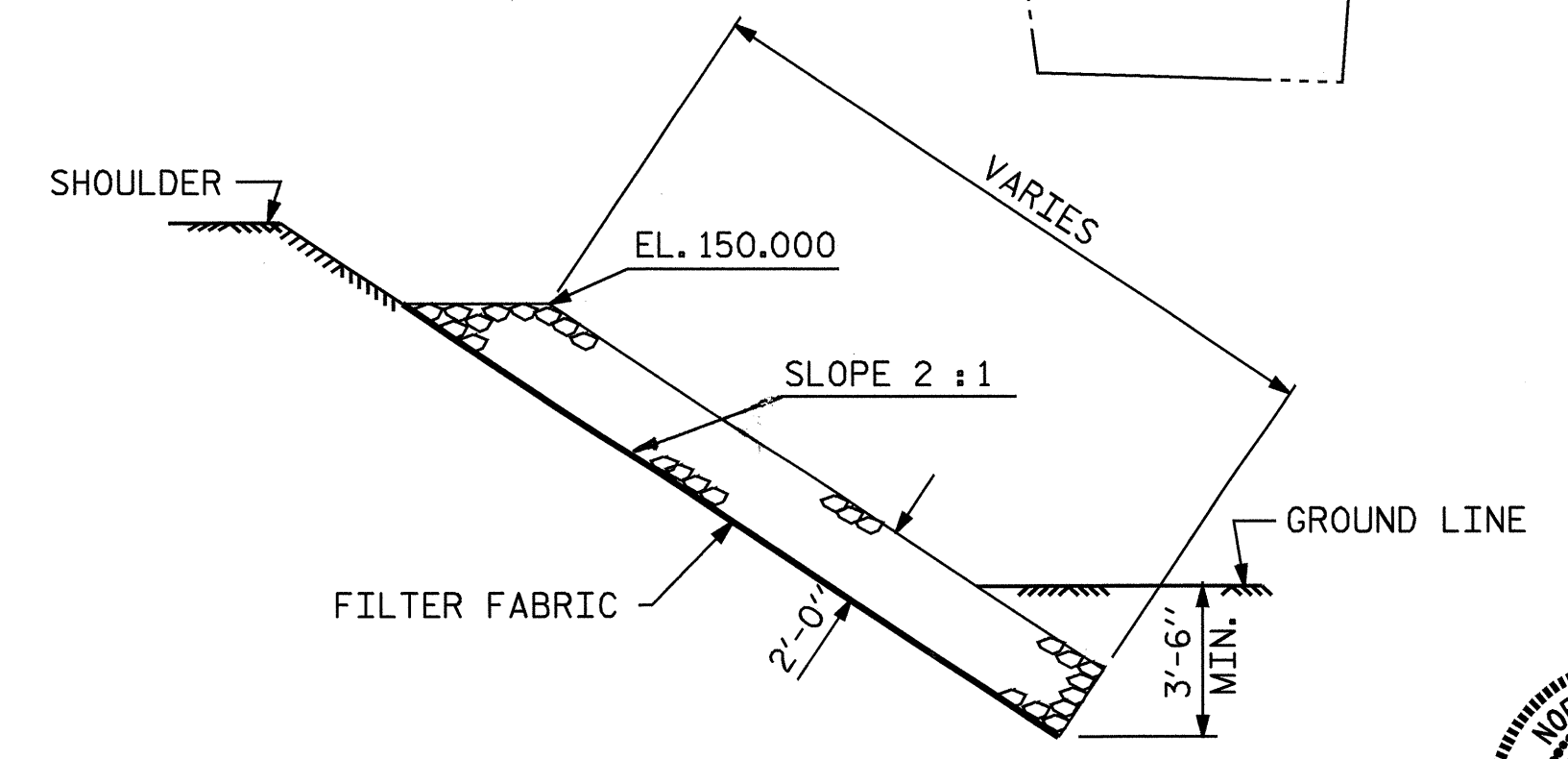


PLAN

ESTIMATED QUANTITIES		
BRIDGE @ STA. 23+80.00 -L-	PLAIN RIP RAP CLASS II (2'-0" THICK)	FILTER FABRIC FOR DRAINAGE
	TONS	SQUARE YARDS
END BENT #1	103	114
END BENT #2	115	128



SECTION C-C
BERM RIP RAPPED



SECTION C-C

PROJECT NO. B-4327
WILSON COUNTY
 STATION: 23+80.00 -L-

STATE OF NORTH CAROLINA
 DEPARTMENT OF TRANSPORTATION
 RALEIGH

STANDARD
 RIP RAP DETAILS



REVISIONS						SHEET NO. S-20
NO.	BY:	DATE:	NO.	BY:	DATE:	
1			3			TOTAL SHEETS 24
2			4			

ASSEMBLED BY : PEGGY ADKINS DATE : 10-04
 CHECKED BY : T. AVERETTE DATE : 10-04
 DRAWN BY : FCJ 2/88 REV. 7/17/98 REK/RWW
 CHECKED BY : ARB 8/88 REV. 8/16/99 RWW/LES
 REV. 10/17/00 RWW/LES