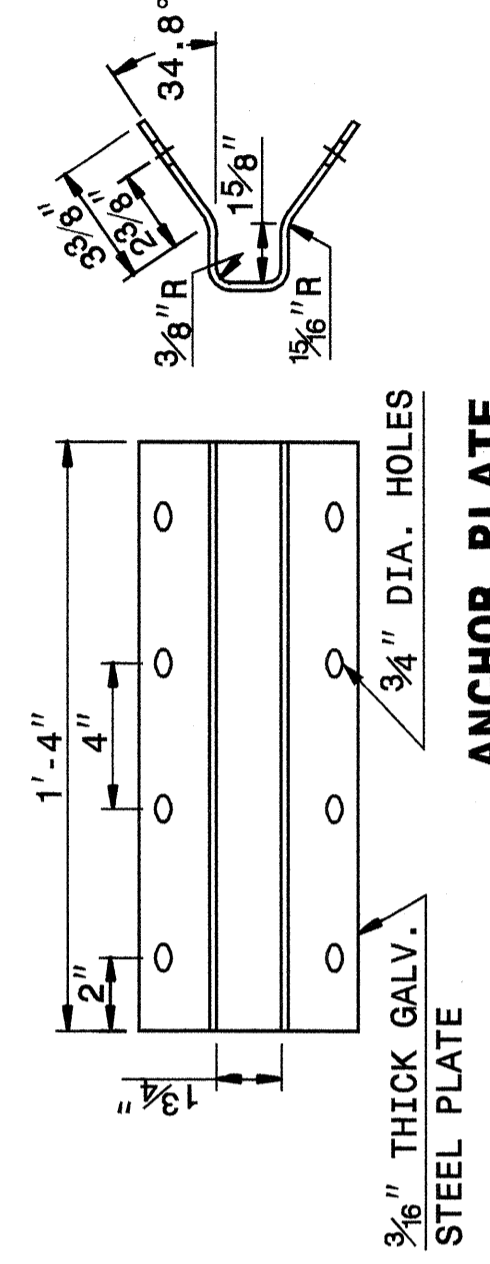
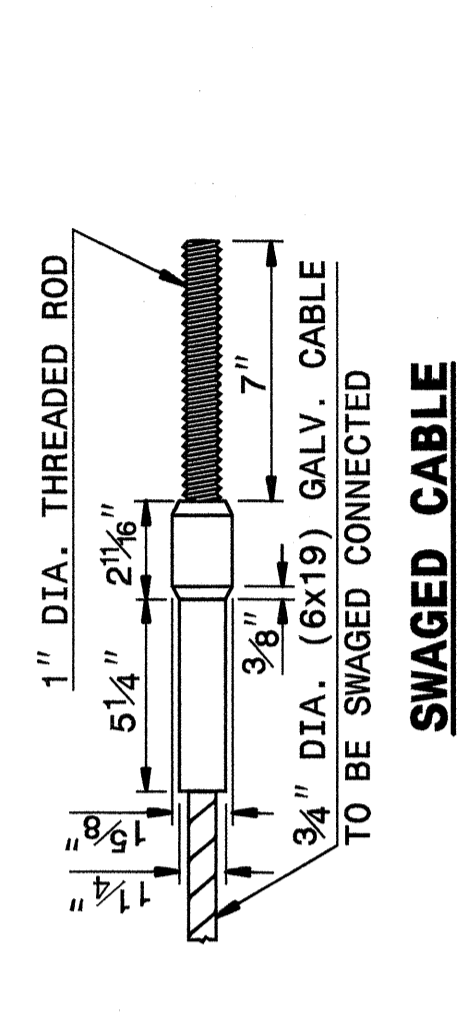
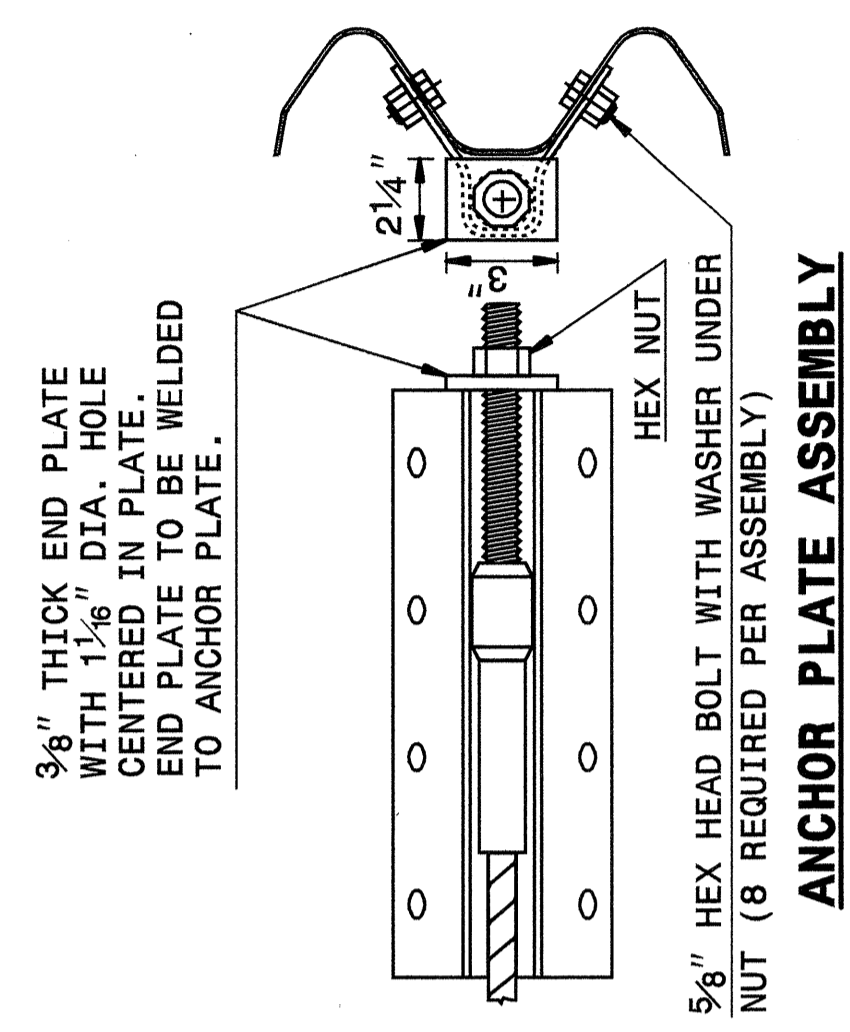


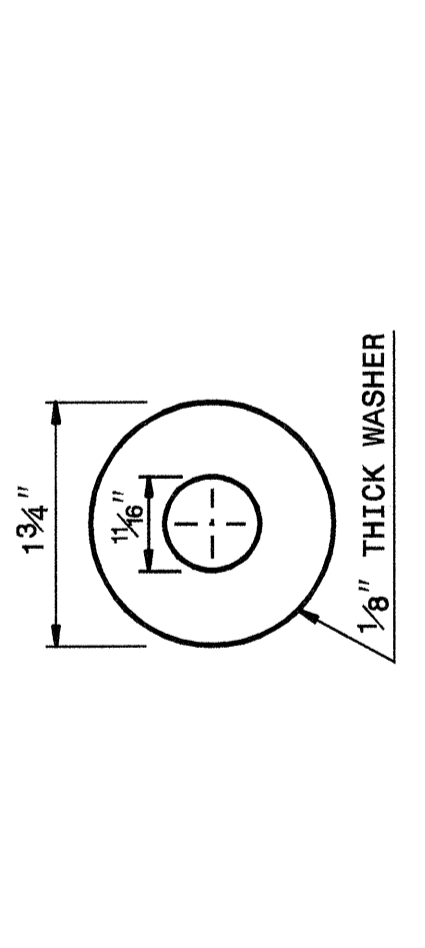
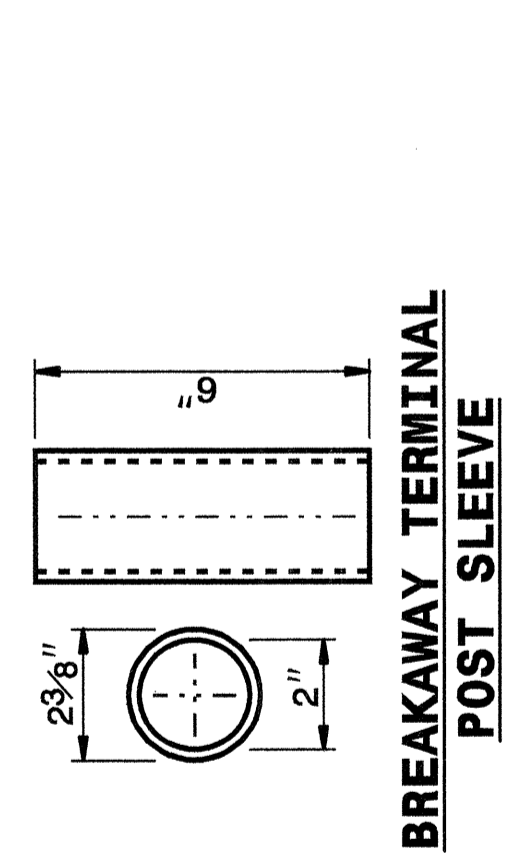
STATE OF NORTH CAROLINA DEPT. OF TRANSPORTATION DIVISION OF HIGHWAYS RALEIGH, N.C.

ENGLISH DETAIL DRAWING FOR GUARDRAIL INSTALLATION

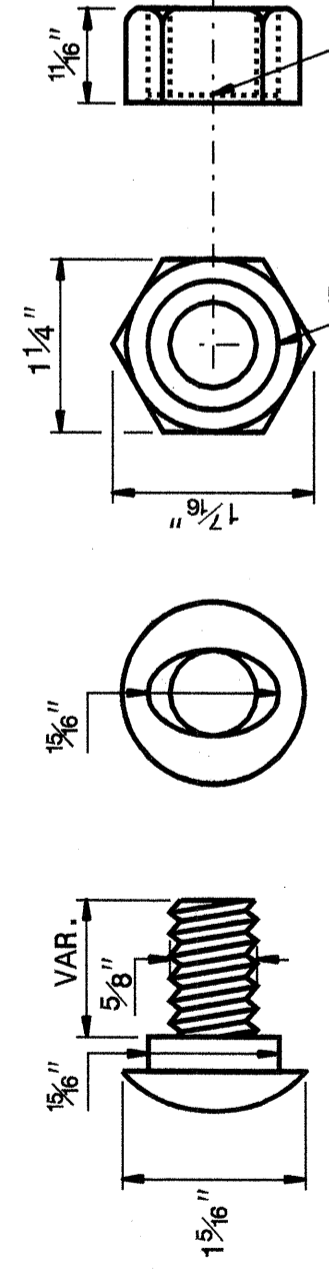
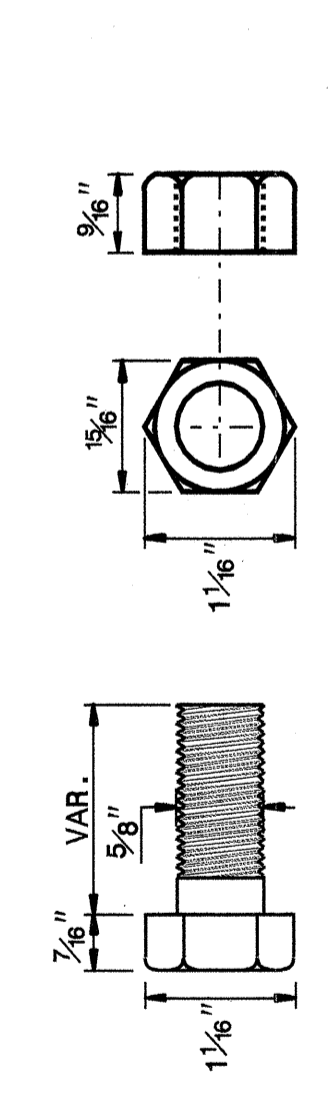
SHEET 5 OF 7 862D02



CABLE ASSEMBLY



STANDARD WASHER: TYPICAL USE UNDER NUT WITH WOOD POST



SYSTEM PARTS

STATE OF NORTH CAROLINA DEPT. OF TRANSPORTATION DIVISION OF HIGHWAYS RALEIGH, N.C.

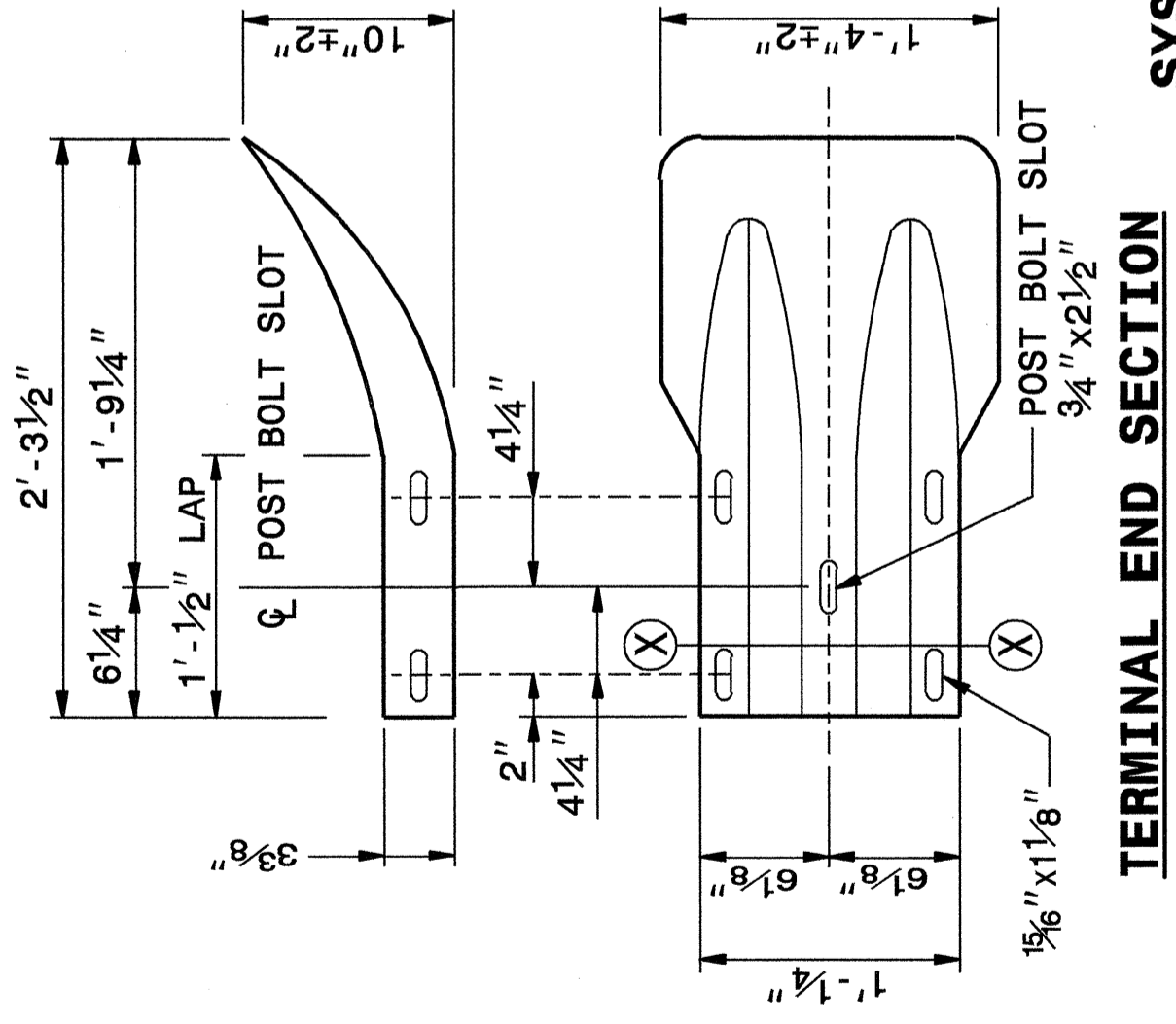
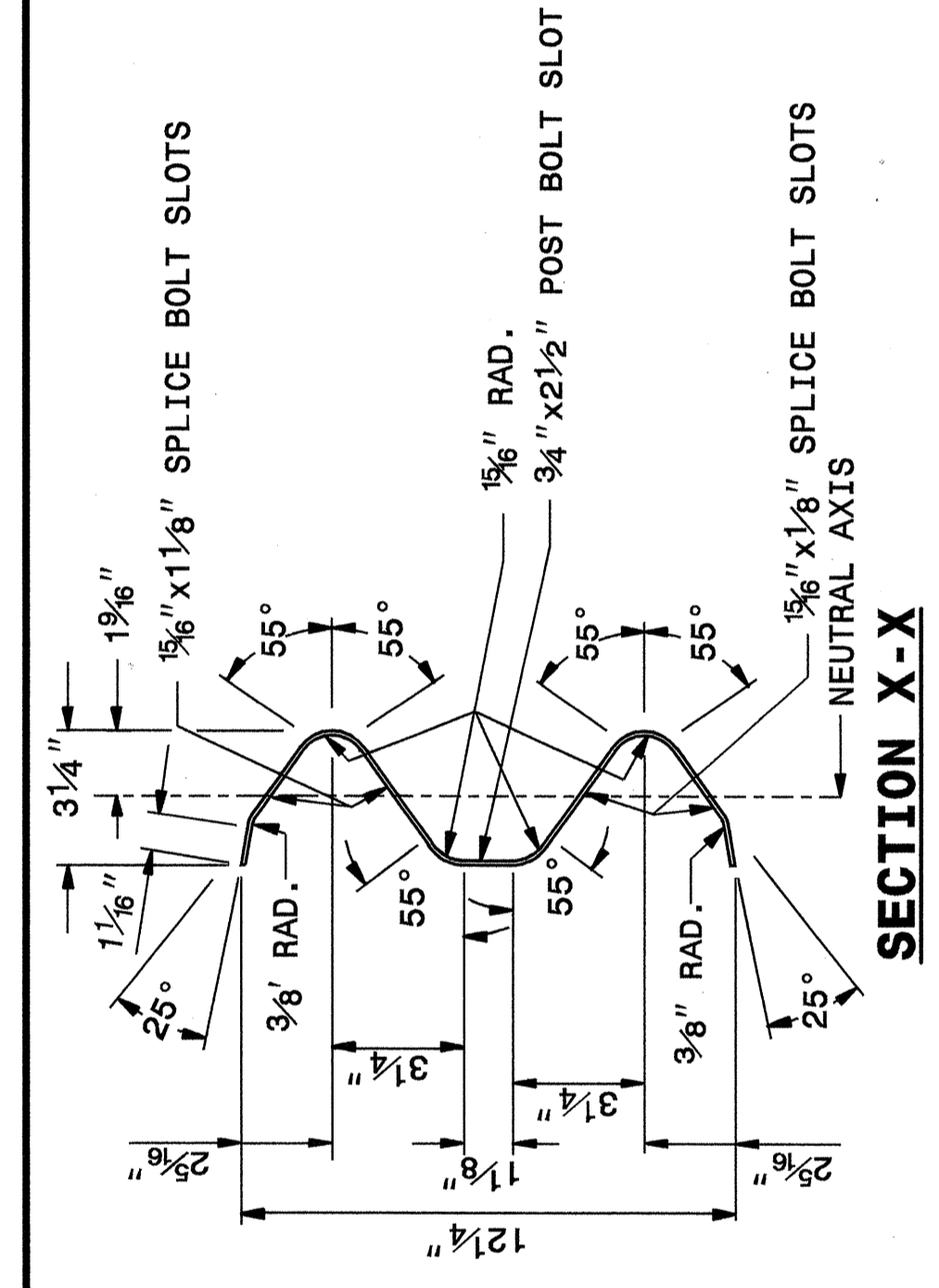
ENGLISH DETAIL DRAWING FOR GUARDRAIL INSTALLATION

SHEET 5 OF 7 862D02

STATE OF NORTH CAROLINA DEPT. OF TRANSPORTATION DIVISION OF HIGHWAYS RALEIGH, N.C.

ENGLISH DETAIL DRAWING FOR GUARDRAIL INSTALLATION

SHEET 6 OF 7 862D02



TYPICAL END SHOE

SYSTEM PARTS - GENERAL USE

DESIGN SERVICES UNIT
STANDARDS AND SPECIAL DESIGN
Office 919-250-4128 FAX 919-250-4119

SEE PLATE FOR TITLE

ORIGINAL BY: 2002 STD.862.02 DATE:
MODIFIED BY: E.E. WARD DATE: 02-09-03
CHECKED BY: [Signature] DATE: 4-29-04
FILE SPEC.: /usr/stds/02todetail/english/86202/862d02.dgn



25-APR-2004 10:01
M:\Special Details\guardrail\stds\02\stds to Special Details\english\86202\0862d02.dgn
ericward