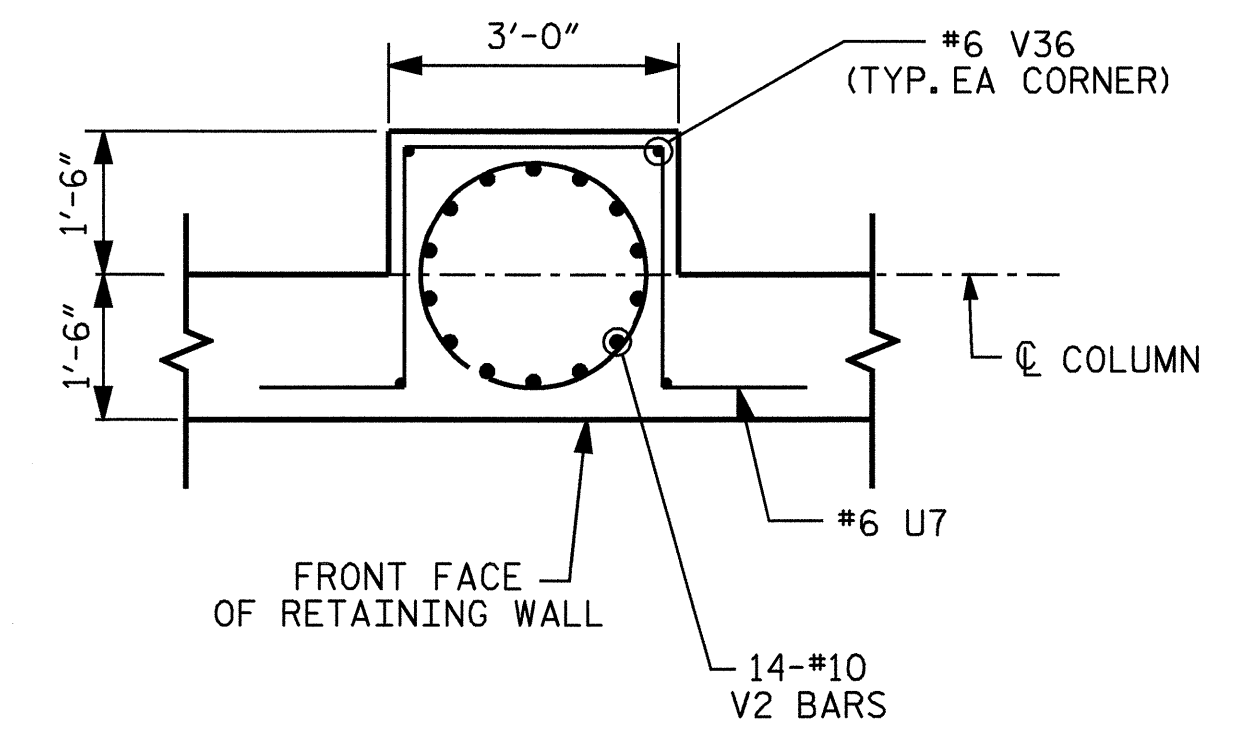
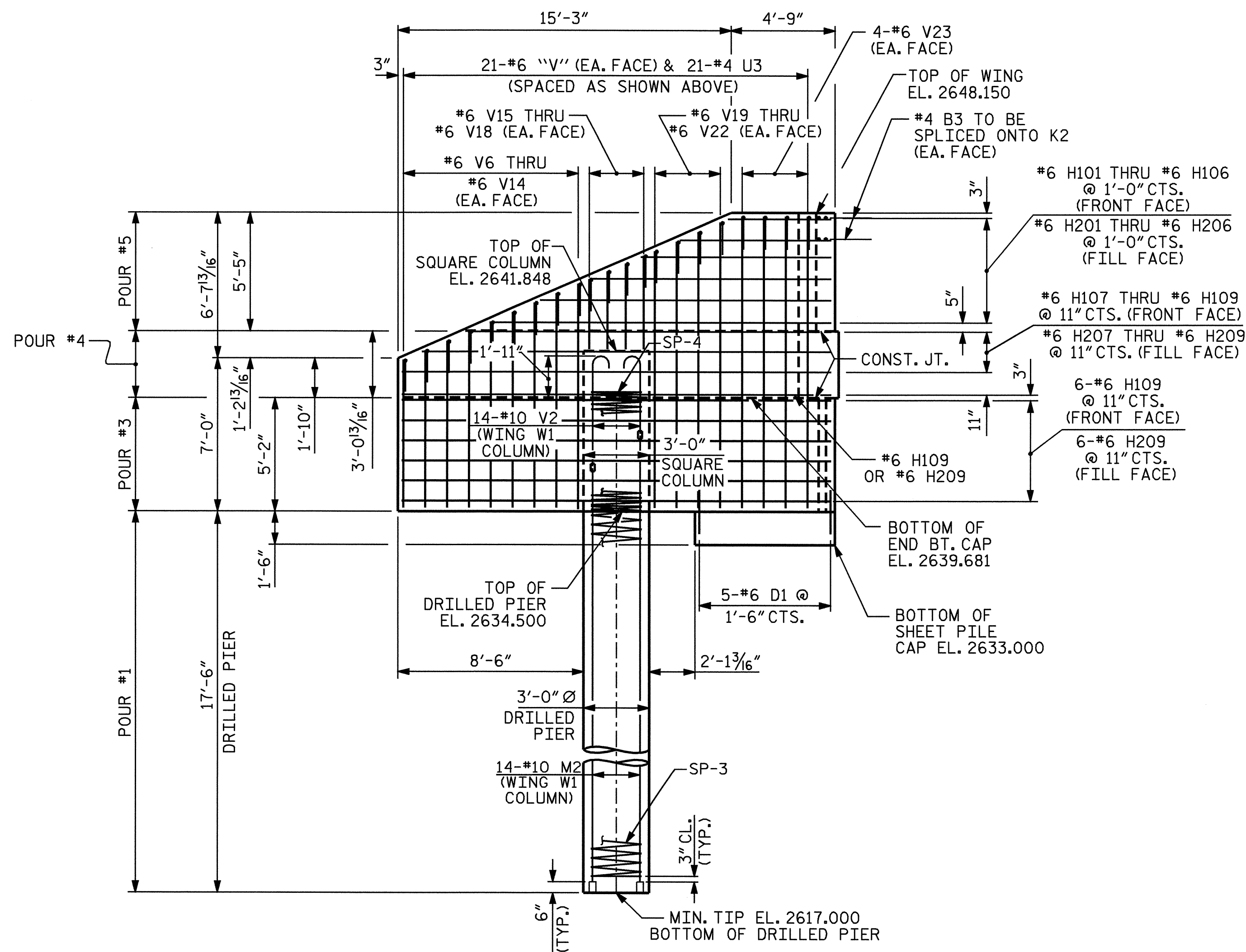


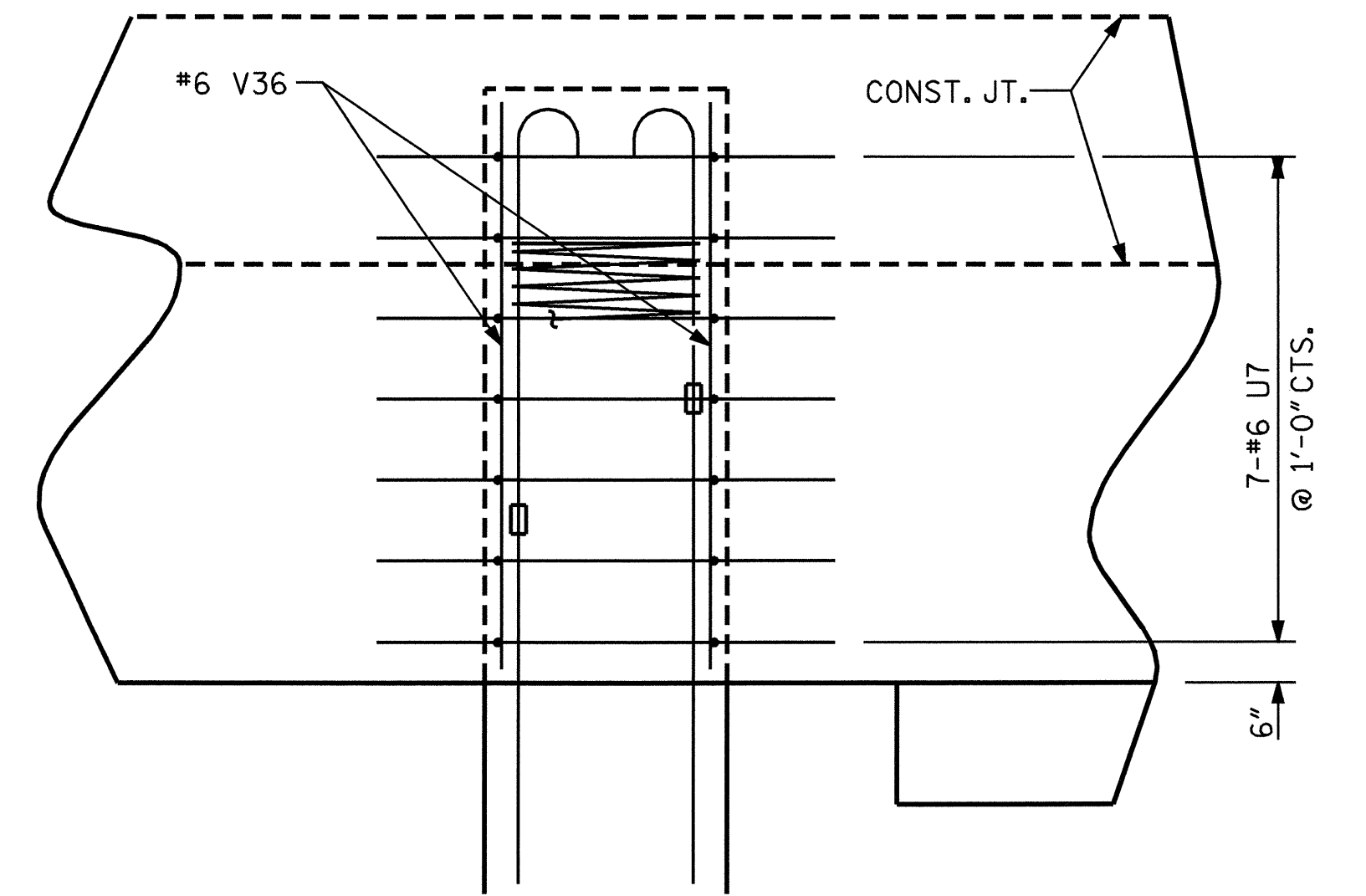
PLAN - WING WALL (W1)



PLAN - SQUARE COLUMN (W1)



ELEVATION - WING WALL (W1)



ELEVATION - SQUARE COLUMN (W1)

PROJECT NO. B-3922
WATAUGA COUNTY
 STATION: 11+06.50 -L-

SHEET 3 OF 6

STATE OF NORTH CAROLINA
 DEPARTMENT OF TRANSPORTATION
 RALEIGH

SUBSTRUCTURE
 END BENT No.2



REVISIONS						SHEET NO.
NO.	BY:	DATE:	NO.	BY:	DATE:	S-31
1			3			TOTAL SHEETS
2			4			41

DRAWN BY : A. V. ROYAL DATE : 2/05
 CHECKED BY : M. BRITT DATE : 2/16/05