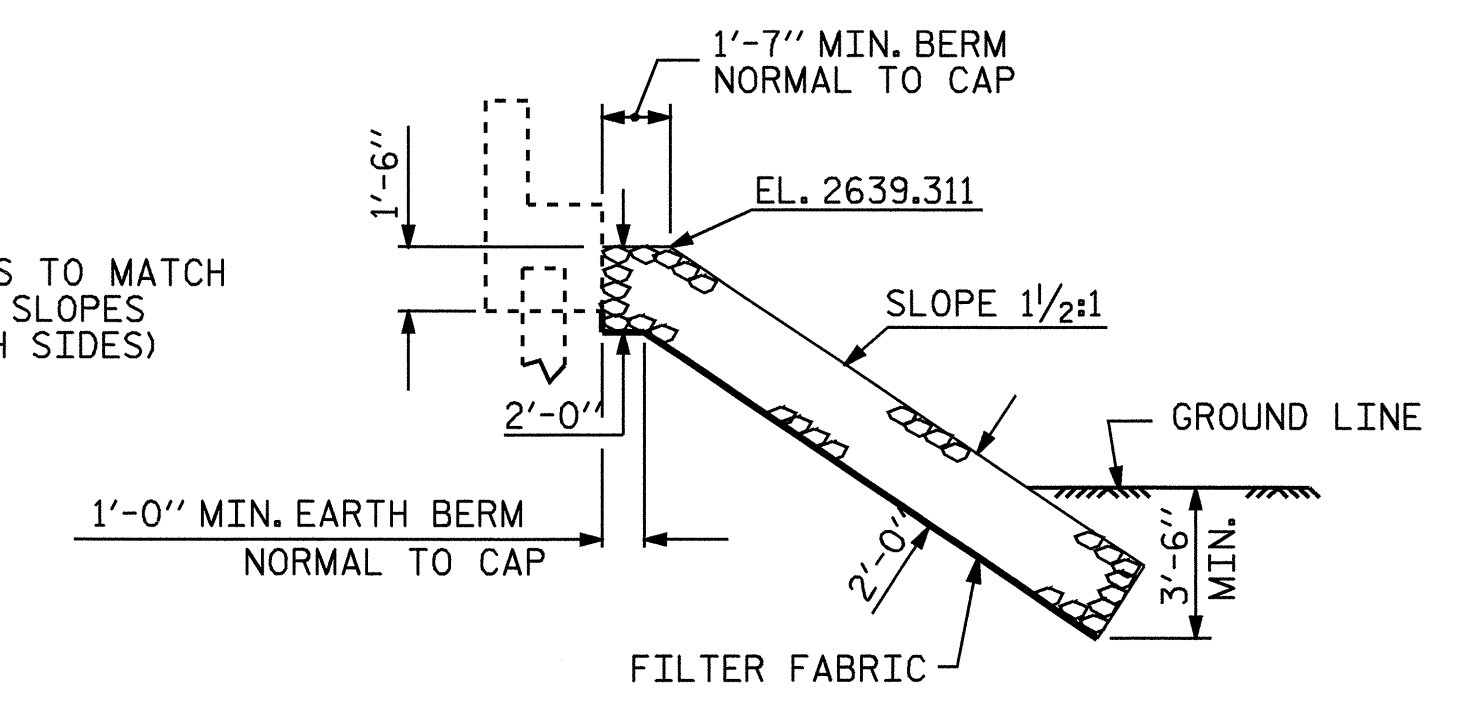
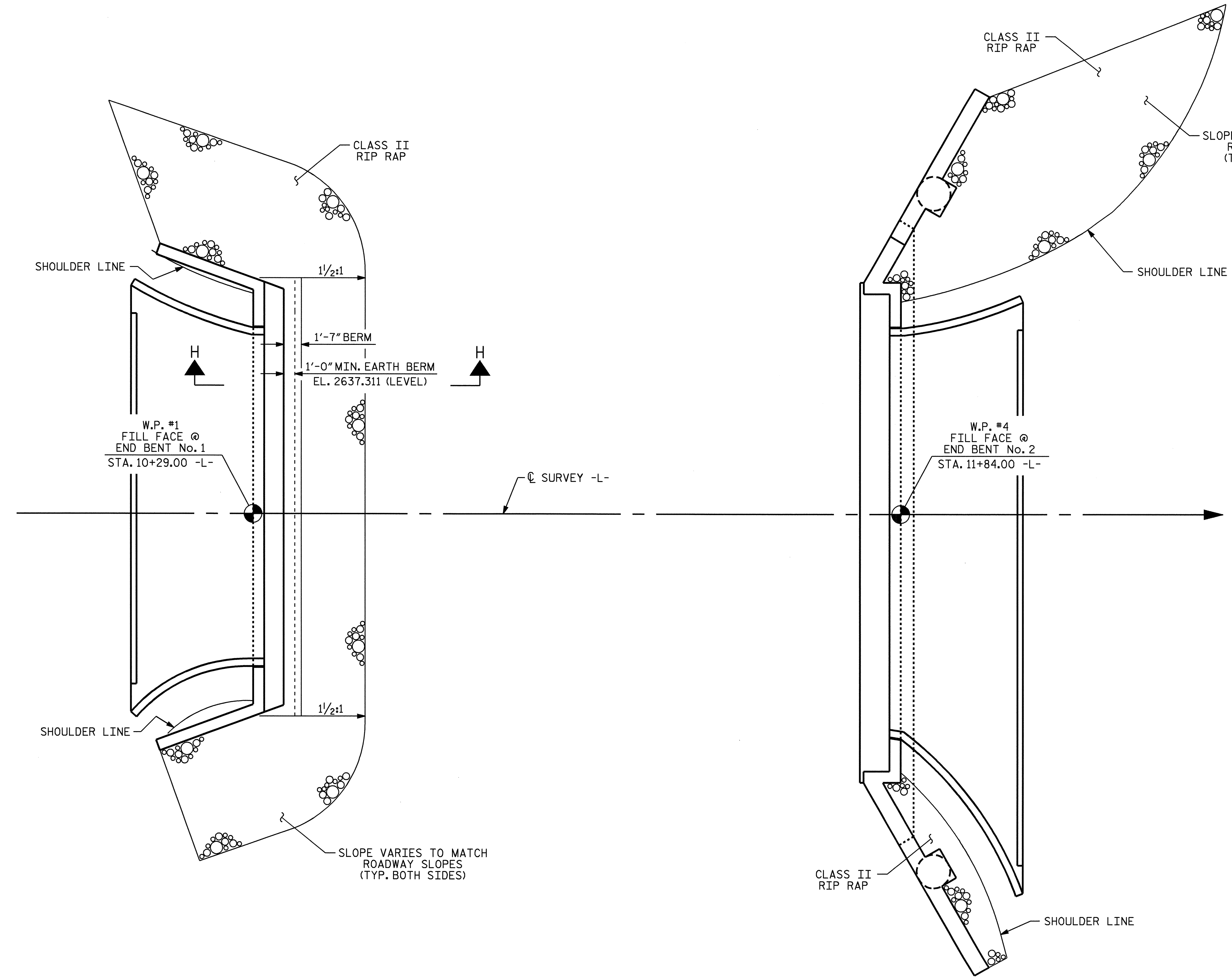
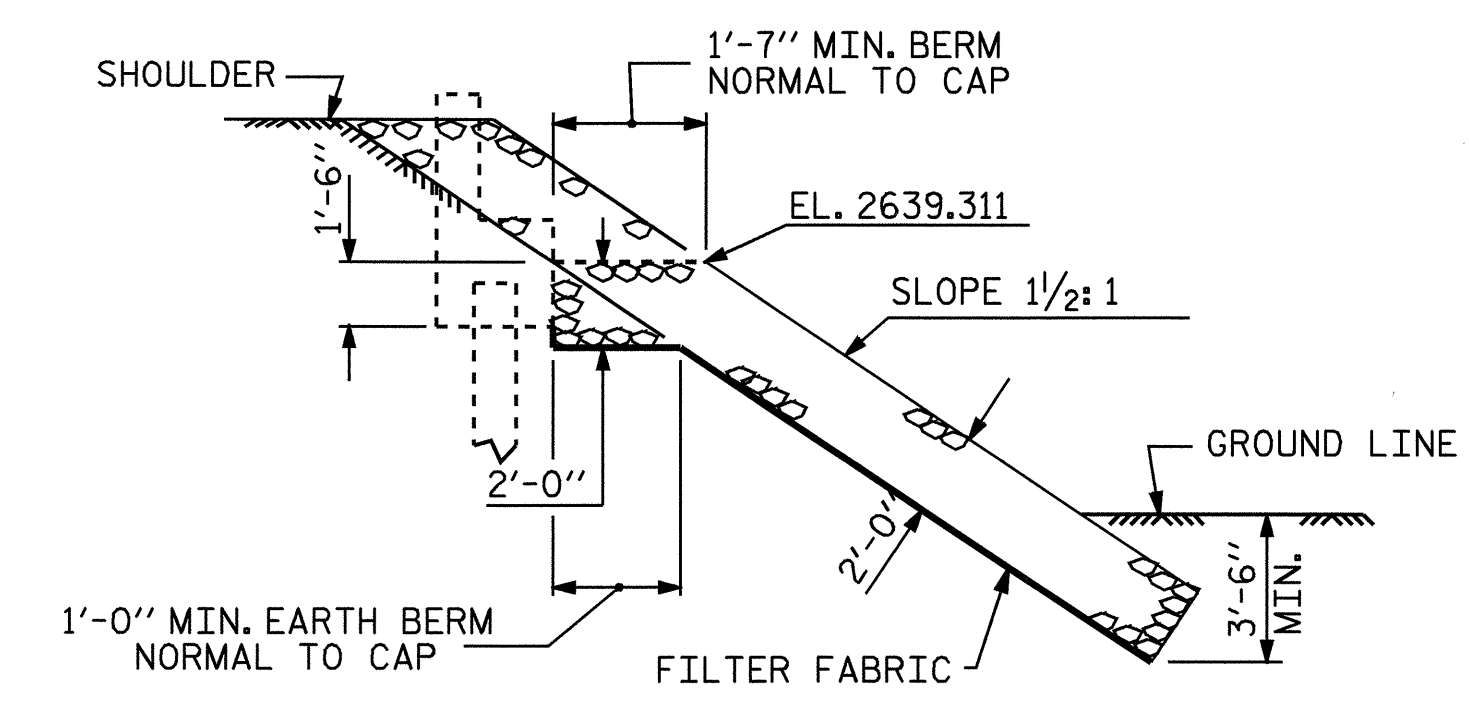


**NOTES :**

PLACE RIP RAP TO LIMITS OF EMBANKMENT DISTURBED BY CONSTRUCTION AT THE DIRECTION OF THE ENGINEER.



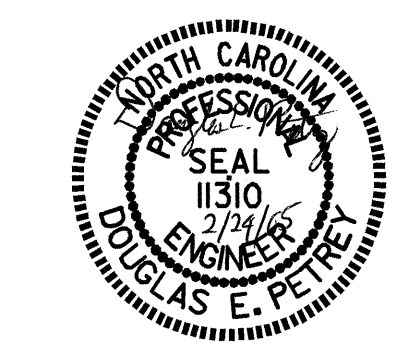
**SECTION C-C**  
BERM RIP RAPPED @ END BENT No. 1



**SECTION H-H**

ESTIMATED QUANTITIES		
BRIDGE @ STA. 11+06.50 -L-	PLAIN RIP RAP CLASS II	FILTER FABRIC FOR DRAINAGE
	TONS	SQUARE YARDS
END BENT No. 1	115	128
END BENT No. 2	58	65

PROJECT NO. B-3922  
WATAUGA COUNTY  
 STATION: 11+06.50 -L-



STATE OF NORTH CAROLINA  
 DEPARTMENT OF TRANSPORTATION  
 RALEIGH  
**STANDARD**  
**== RIP RAP DETAILS ==**

ASSEMBLED BY : B.N. GRADY	DATE : 1/05
CHECKED BY : A.R. CHESSON	DATE : 1/05
DRAWN BY : FCJ 2/88	REV. 7/17/98 REK/RWW
CHECKED BY : ARB 8/88	REV. 8/16/99 RWW/LES
	REV. 10/17/00 RWW/LES

**PLAN OF RIP RAP**

REVISIONS						SHEET NO.
NO.	BY:	DATE:	NO.	BY:	DATE:	S-35
1			3			TOTAL SHEETS
2			4			41

24-FEB-2005 10:56  
 W:\squadw\B3922\bgrady\MonitorStation\B3922\_SD\_RR\_01.DGN  
 achesson

SKREW 90°

STD. NO. RR2