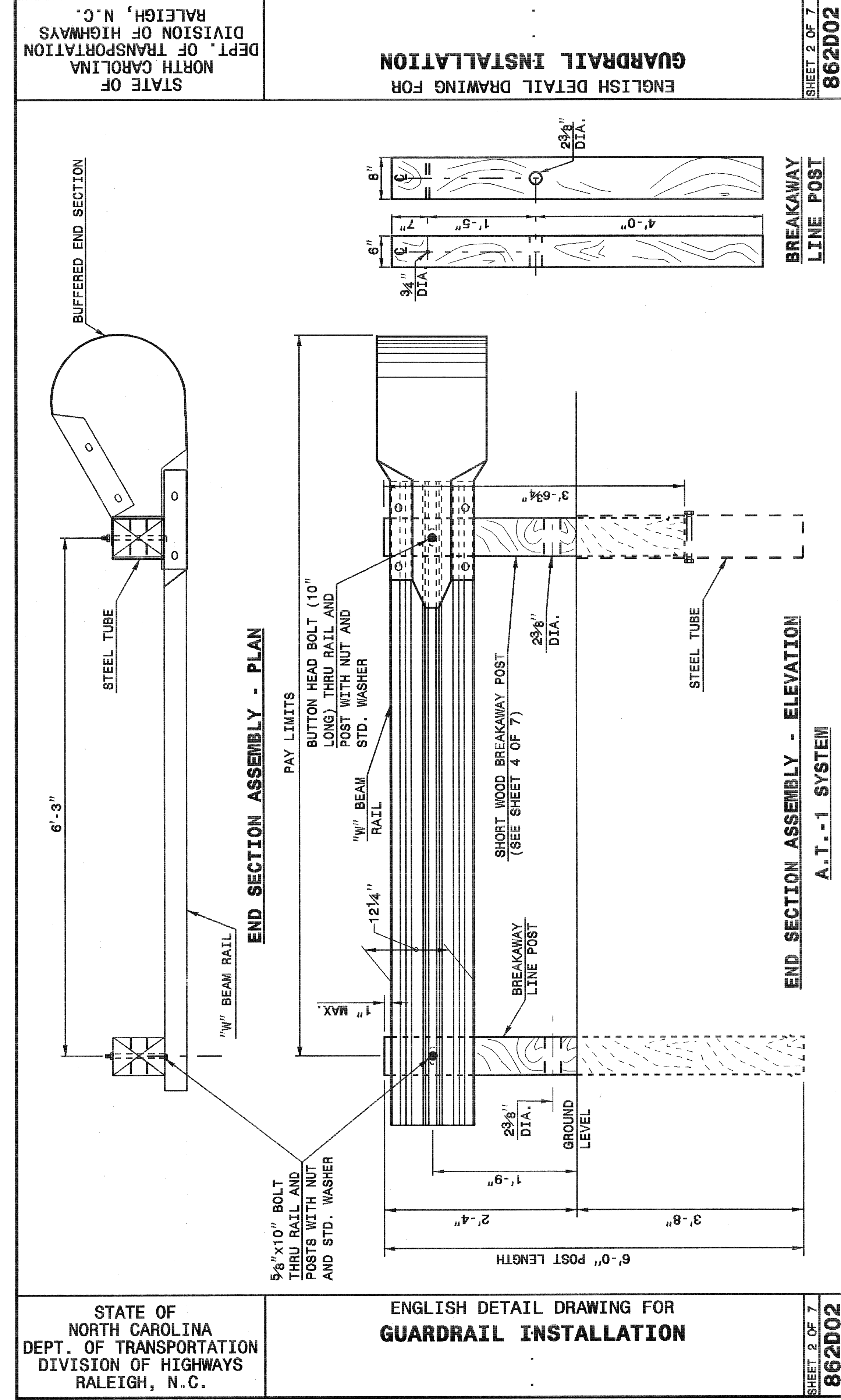
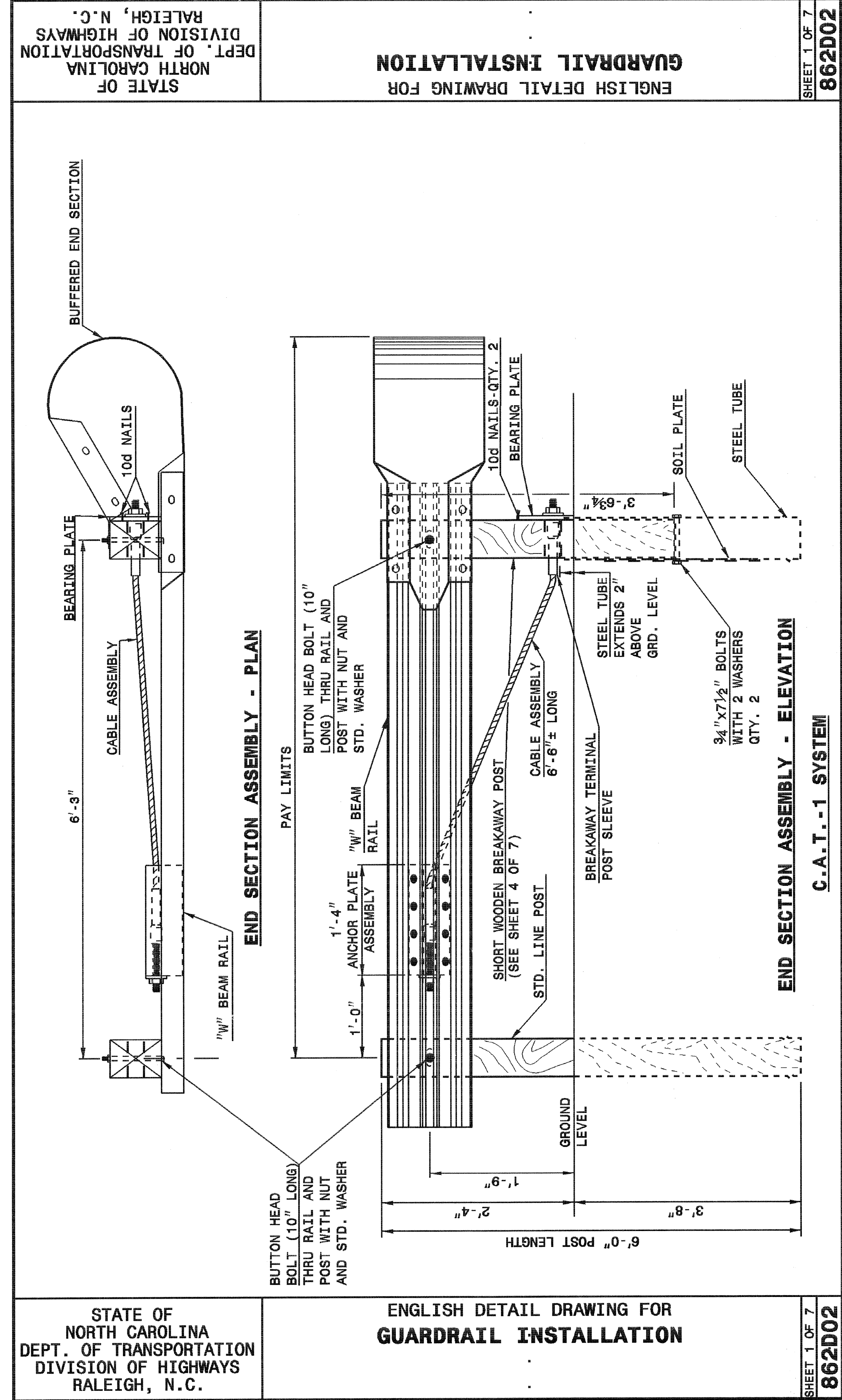


22-MAY-2003 13:39  
 W:\Special\_Details\reviewer\dstds\02\stds to Special\_Details\english\86202\0862d02.dgn  
 ericward RI\_DSZLZ60



DESIGN SERVICES UNIT  
STANDARDS AND SPECIAL DESIGN  
Office 919-250-4126 FAX 919-250-4119

**SEE PLATE FOR TITLE**

ORIGINAL BY: 2002 STD. 862.02 DATE:  
 MODIFIED BY: E.E. WARD DATE: 02-09-03  
 CHECKED BY: DATE:  
 FILE SPEC.: /usr/stds/02todetail/english/86202/862d02.dgn