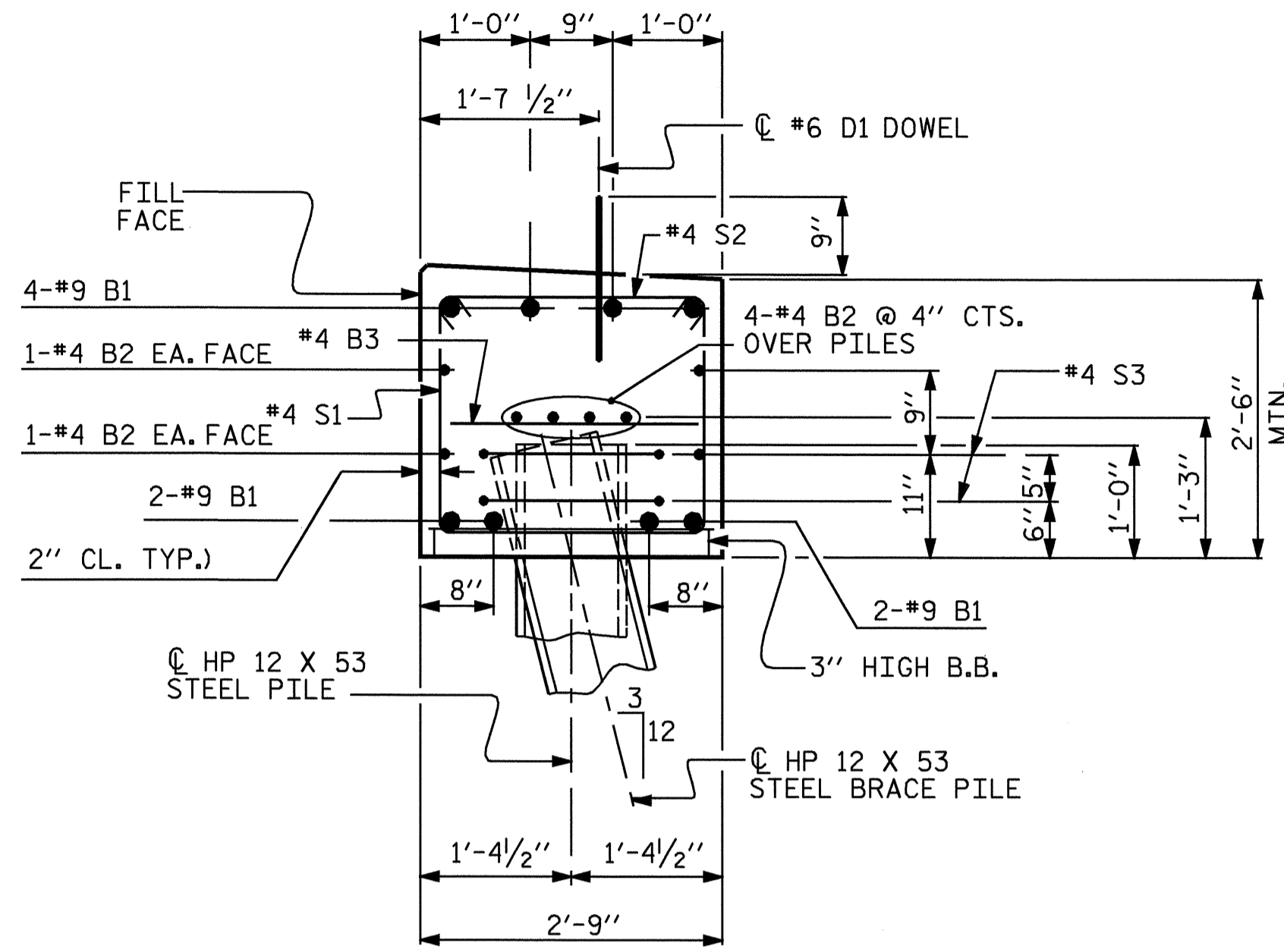


BAGGED STONE AND PIPE SHALL BE PLACED IMMEDIATELY AFTER COMPLETION OF END BENT EXCAVATION. PIPE MAY BE EITHER CONCRETE, CORRUGATED STEEL, CORRUGATED ALUMINUM ALLOY, OR CORRUGATED PLASTIC. PERFORATED PIPE WILL NOT BE ALLOWED.

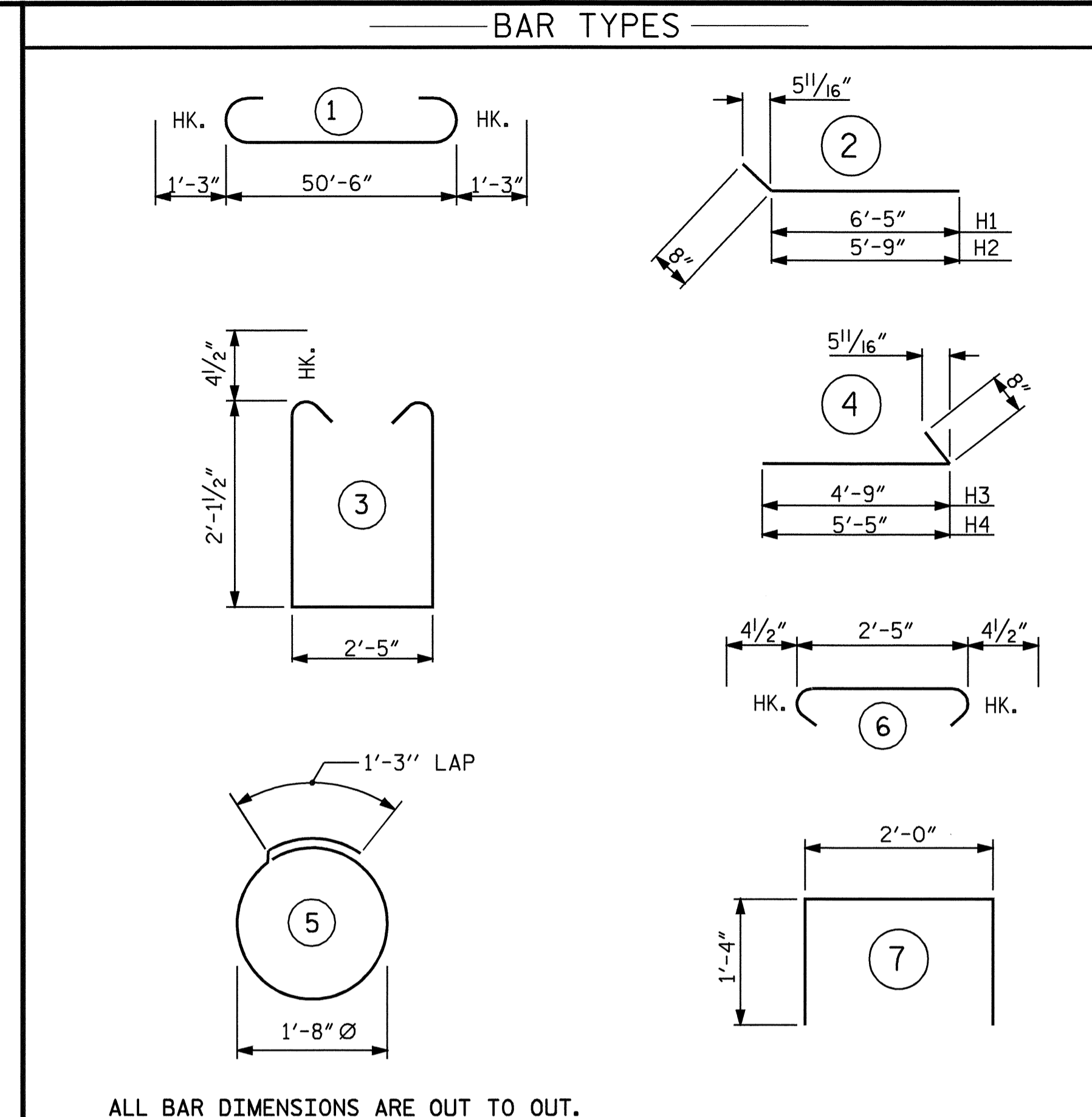
BAGGED STONE SHALL REMAIN IN PLACE UNTIL THE ENGINEER DIRECTS THAT IT BE REMOVED. THE CONTRACTOR SHALL REMOVE AND DISPOSE OF SILT ACCUMULATIONS AT BAGGED STONE WHEN SO DIRECTED BY THE ENGINEER. BAGS SHALL BE REMOVED AND REPLACED WHENEVER THE ENGINEER DETERMINES THAT THEY HAVE DETERIORATED AND LOST THEIR EFFECTIVENESS.

NO SEPARATE PAYMENT WILL BE MADE FOR THIS WORK AND THE ENTIRE COST OF THIS WORK SHALL BE INCLUDED IN THE UNIT CONTRACT PRICE BID FOR THE SEVERAL PAY ITEMS.

TEMPORARY DRAINAGE AT END BENT



SECTION A-A

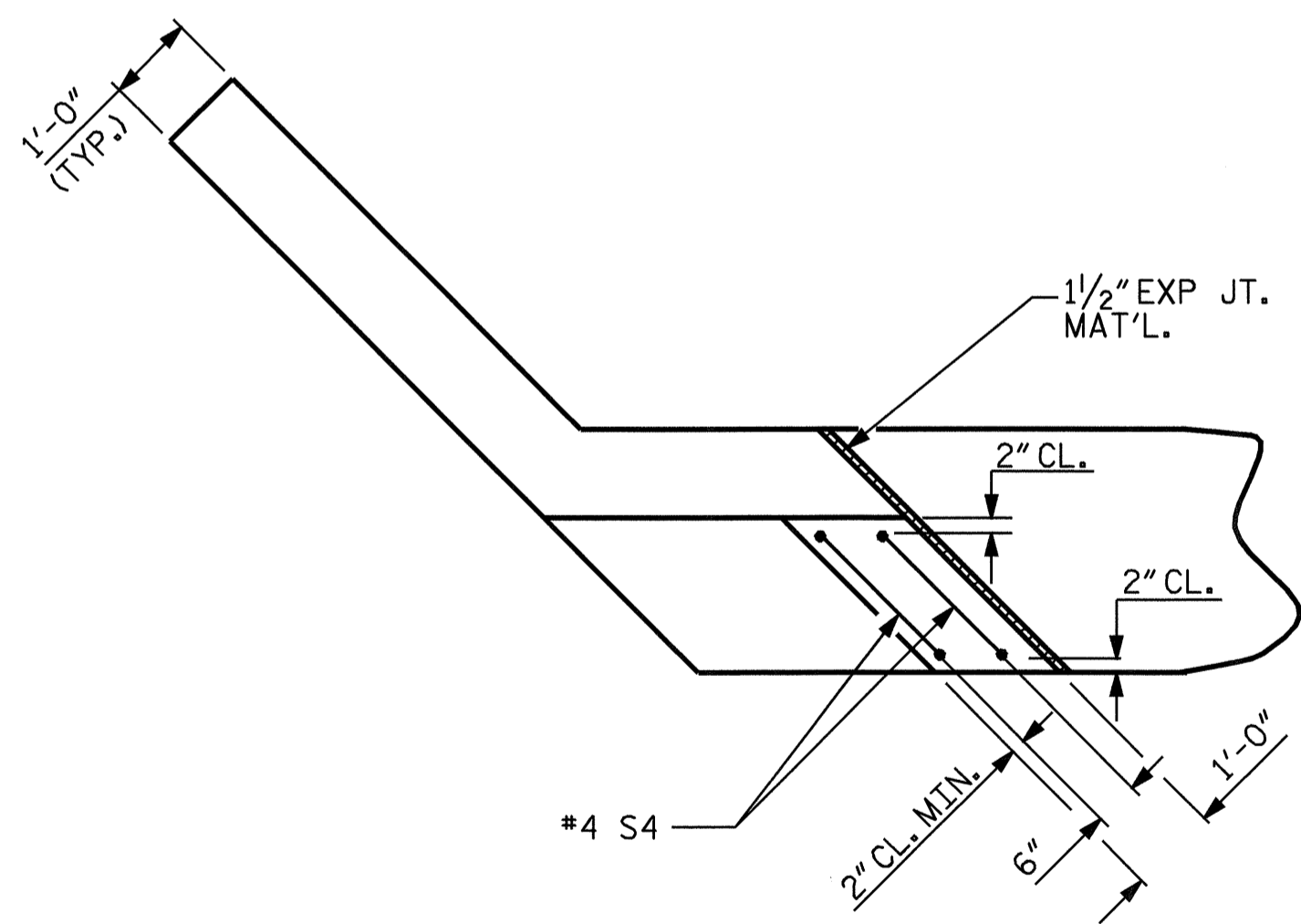


ALL BAR DIMENSIONS ARE OUT TO OUT.

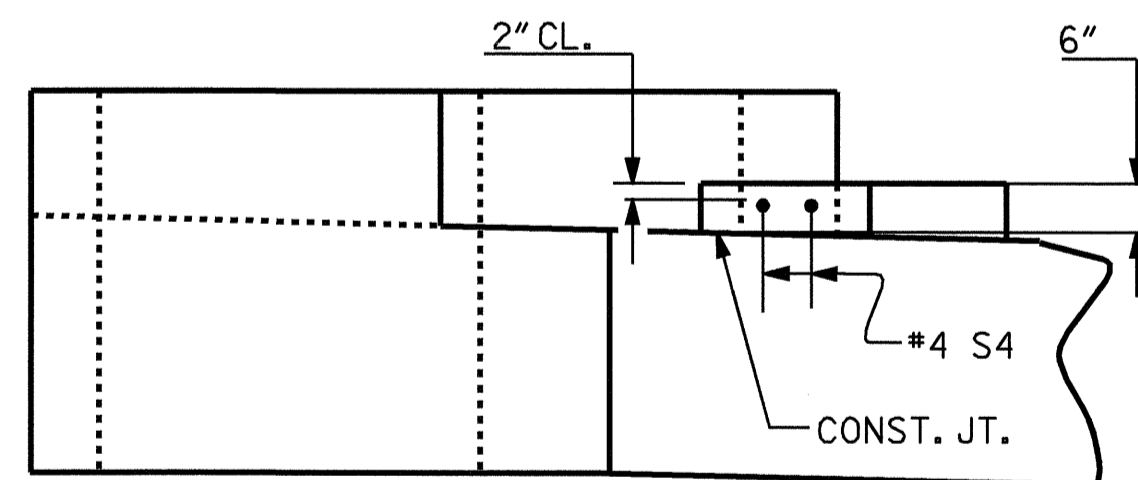
BILL OF MATERIAL

END BENT No. 2					
BAR	NO.	SIZE	TYPE	LENGTH	WEIGHT
B1	8	9	1	53'-0"	1442
B2	16	4	STR	26'-6"	283
B3	12	4	STR	2'-5"	19
D1	20	6	STR	1'-6"	45
H1	5	4	2	7'-1"	24
H2	5	4	2	6'-5"	21
H3	5	4	4	5'-5"	18
H4	5	4	4	6'-1"	20
K1	8	4	STR	3'-7"	19
S1	47	4	3	7'-5"	233
S2	47	4	6	3'-2"	99
S3	12	4	5	6'-6"	52
S4	4	4	7	4'-8"	12
V1	19	4	STR	3'-8"	47
V2	19	4	STR	3'-10"	49
REINFORCING STEEL				LBS.	2383

CLASS A CONCRETE BREAKDOWN:			
POUR #1	- (CAP&LOWER WINGS)	13.9	C.Y.
POUR #2	- (UPPER WINGS)	1.1	C.Y.
POUR #3	- (LATERAL GUIDES)	0.1	C.Y.
TOTAL		15.1	C.Y.
HP 12 X 53 STEEL PILES			
NO. = 6		LIN. FT. = 110	



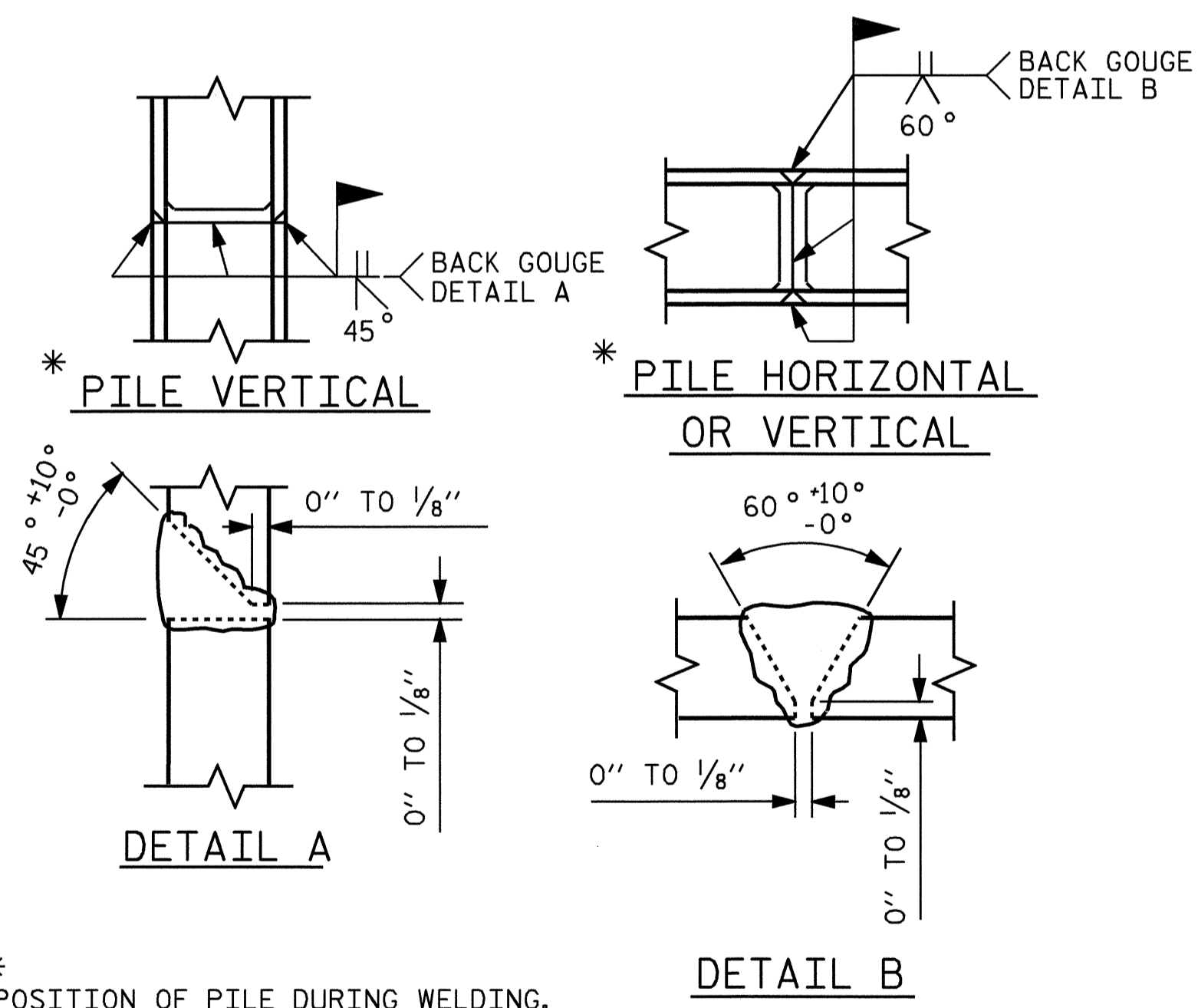
PLAN



ELEVATION

LATERAL GUIDE DETAILS

(EACH END SIMILAR)



PILE SPLICE DETAILS

PROJECT NO. B-3926
WATAUGA COUNTY
 STATION: 32+85.50 -L2-

SHEET 3 OF 3

STATE OF NORTH CAROLINA
 DEPARTMENT OF TRANSPORTATION
 RALEIGH

SUBSTRUCTURE
 END BENT No. 2



DRAWN BY : R. G. EMERSON DATE : 7/03
 CHECKED BY : B. N. GRADY DATE : 8/03

REVISIONS				SHEET NO.	
NO.	BY:	DATE:	NO.	BY:	DATE:
1			3		
2			4		
					TOTAL SHEETS
					36