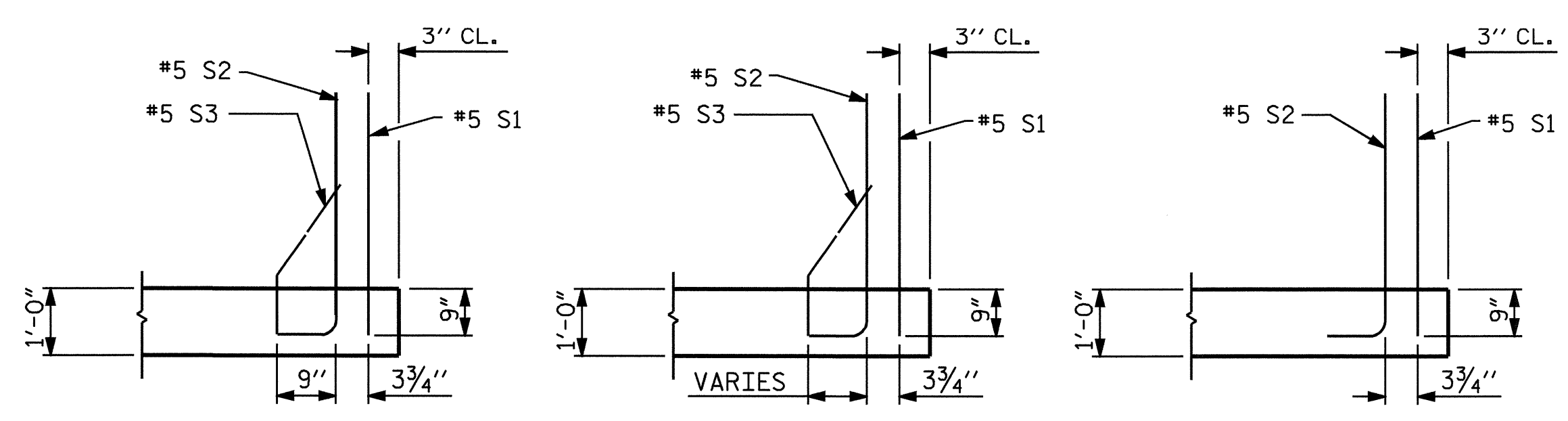


AT END BENT No. 1

AT END BENT No. 2

PLAN OF APPROACH SLABS

FOR REINFORCING STEEL IN BARRIER RAIL, SEE SHEET 3 OF 4.



SECTION K-K

SECTION L-L

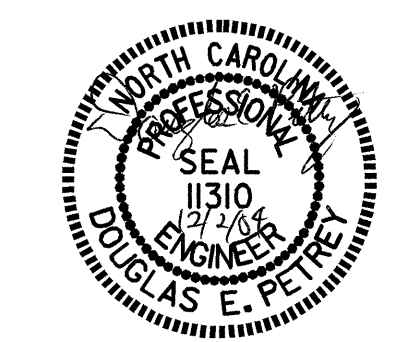
SECTION M-M

PROJECT NO. B-3926
WATAUGA COUNTY
 STATION: 32+85.50 -L2-

SHEET 1 OF 4

STATE OF NORTH CAROLINA
 DEPARTMENT OF TRANSPORTATION
 RALEIGH

BRIDGE APPROACH SLAB
 FOR PRESTRESSED CONCRETE
 CORED SLAB WITH
 BARRIER RAIL



DRAWN BY : B.N. GRADY DATE : 7/04
 CHECKED BY : A.R. CHESSON DATE : 8/04

REVISIONS						SHEET NO. S-33
NO.	BY:	DATE:	NO.	BY:	DATE:	
1			3			TOTAL SHEETS 36
2			4			