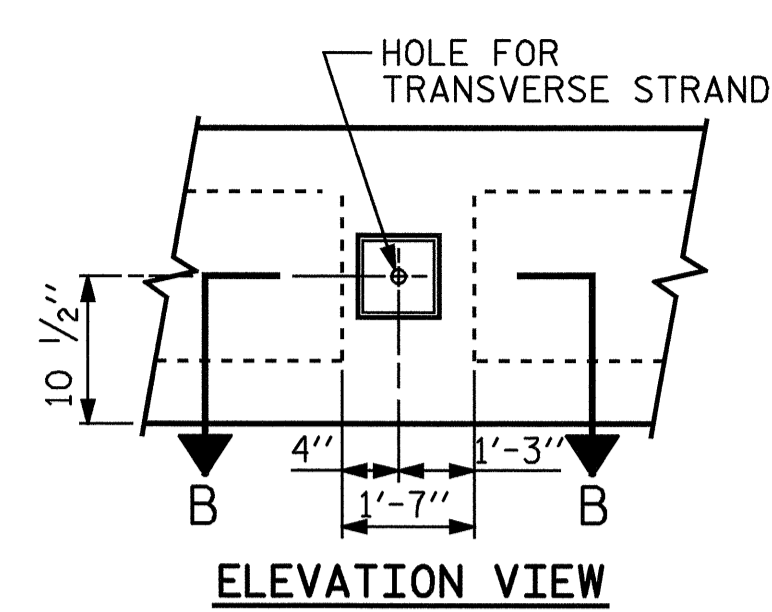
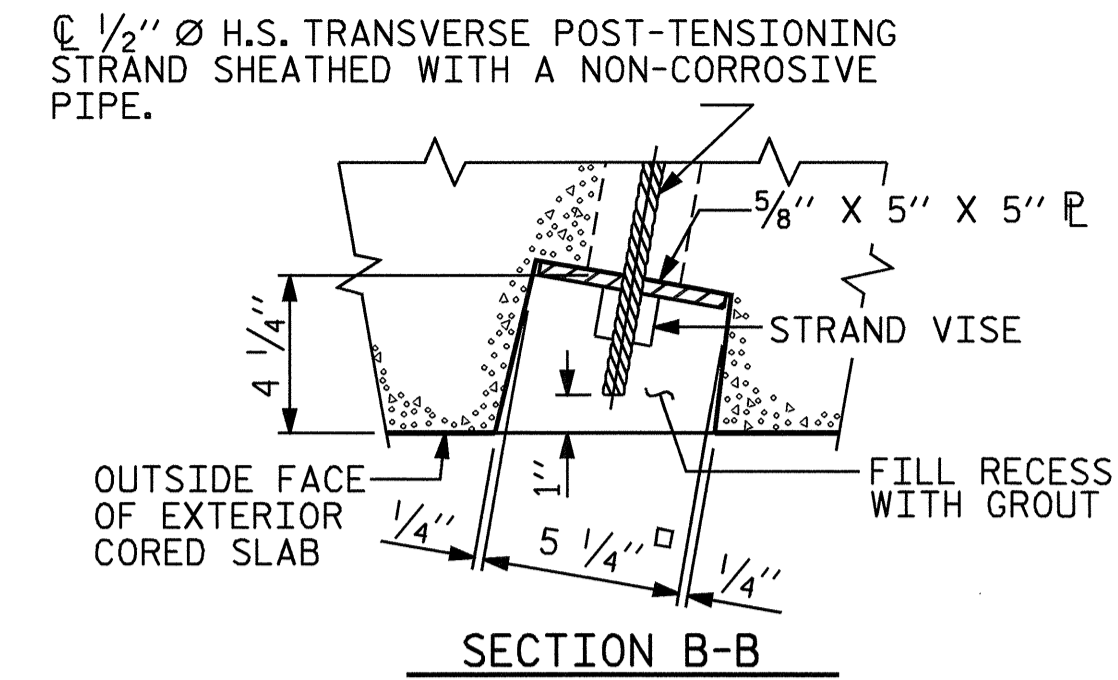


TYPICAL SECTION

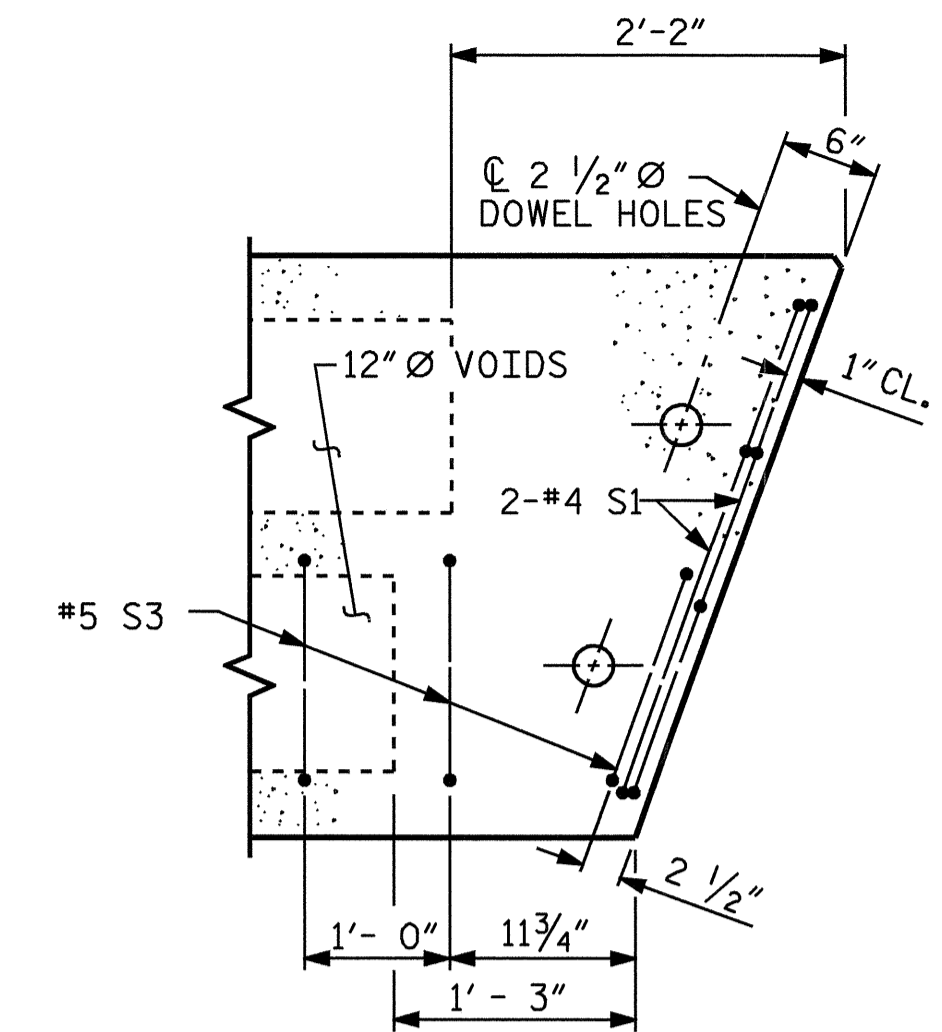


ELEVATION VIEW



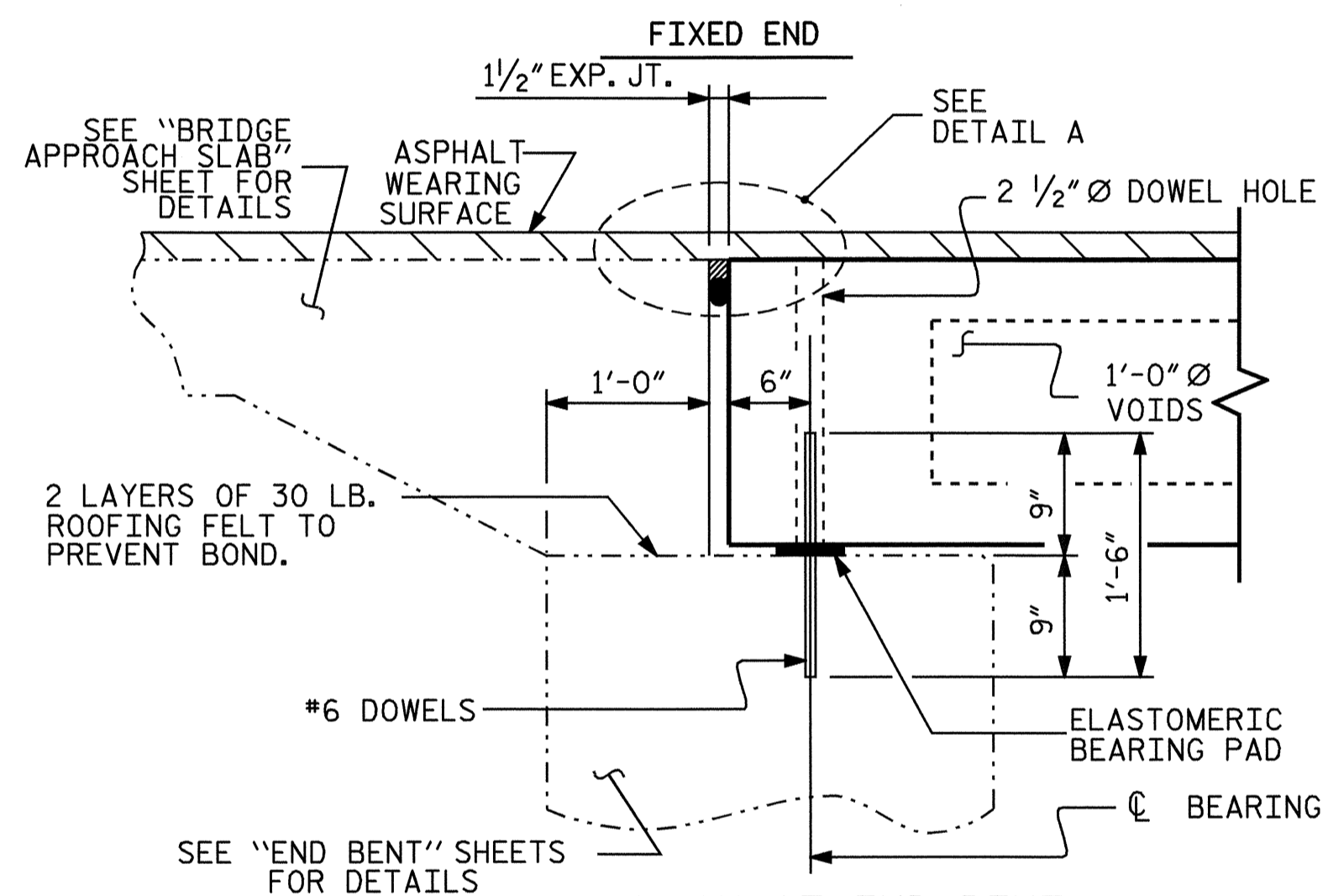
SECTION B-B

GRouted RECESS AT END OF POST-TENSIONED STRAND-CORED SLABS

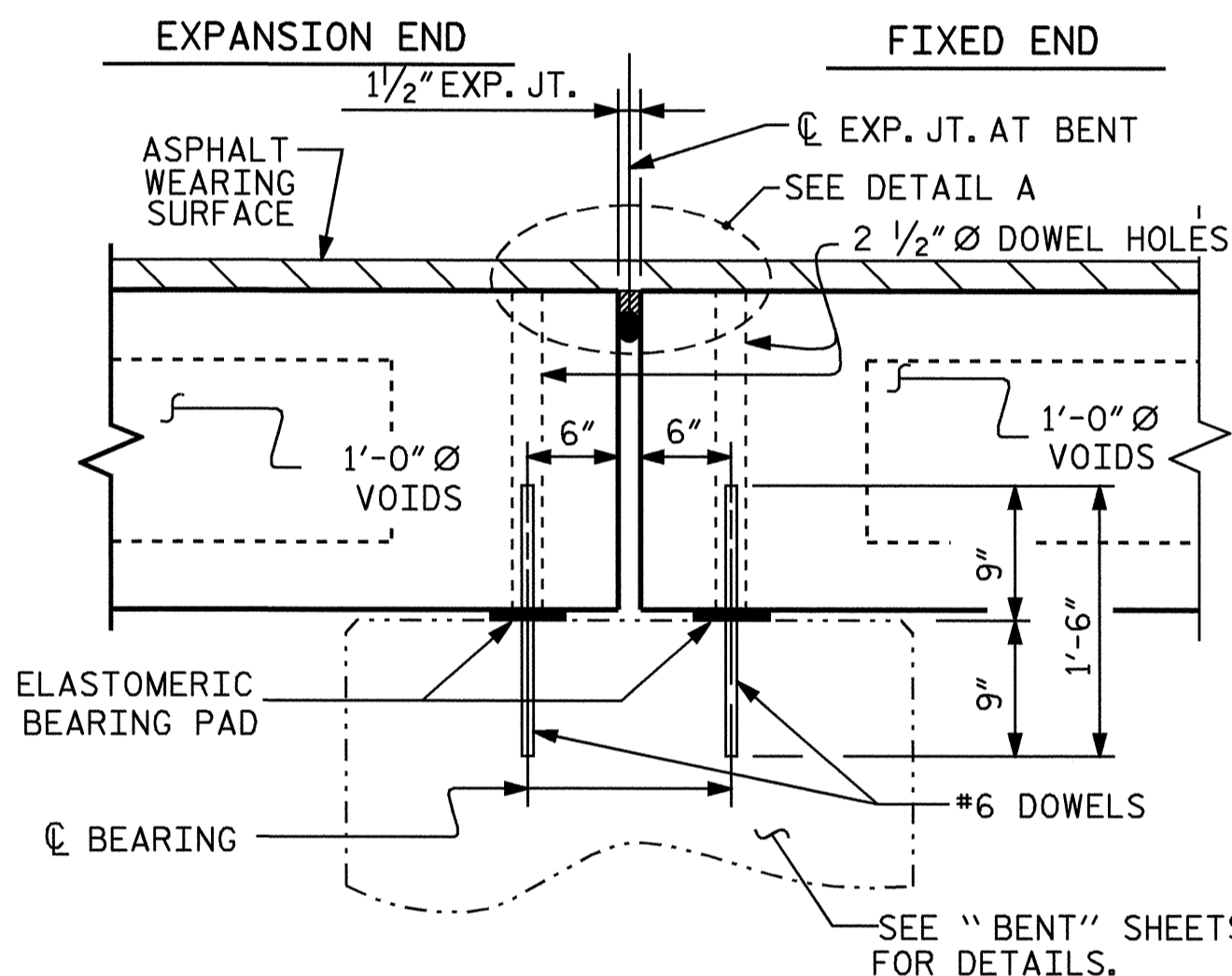


PART PLAN-EXTERIOR SECTION

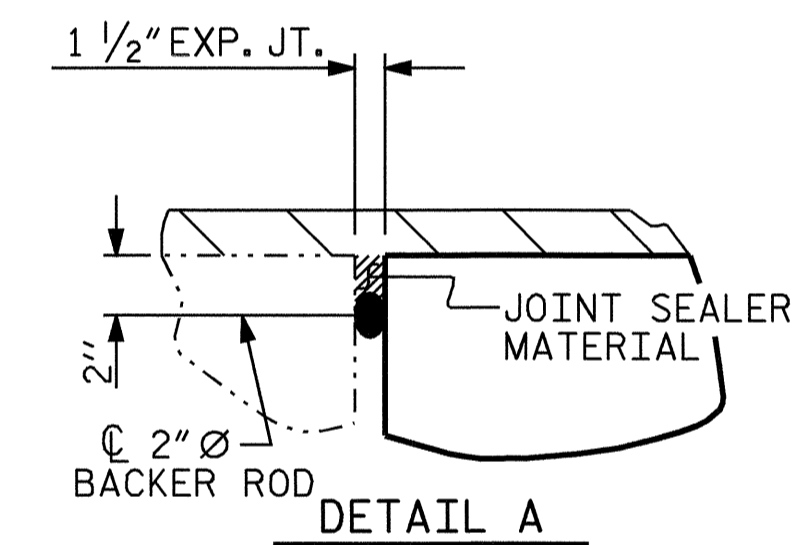
NOTE: EXTERIOR SECTION SHOWN-INTERIOR SECTION SIMILAR EXCEPT OMIT S3 BARS.



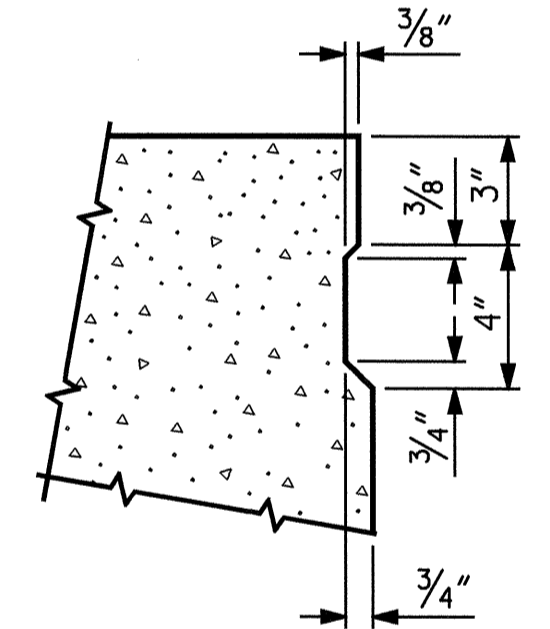
SECTION AT END BENT



SECTION AT BENT

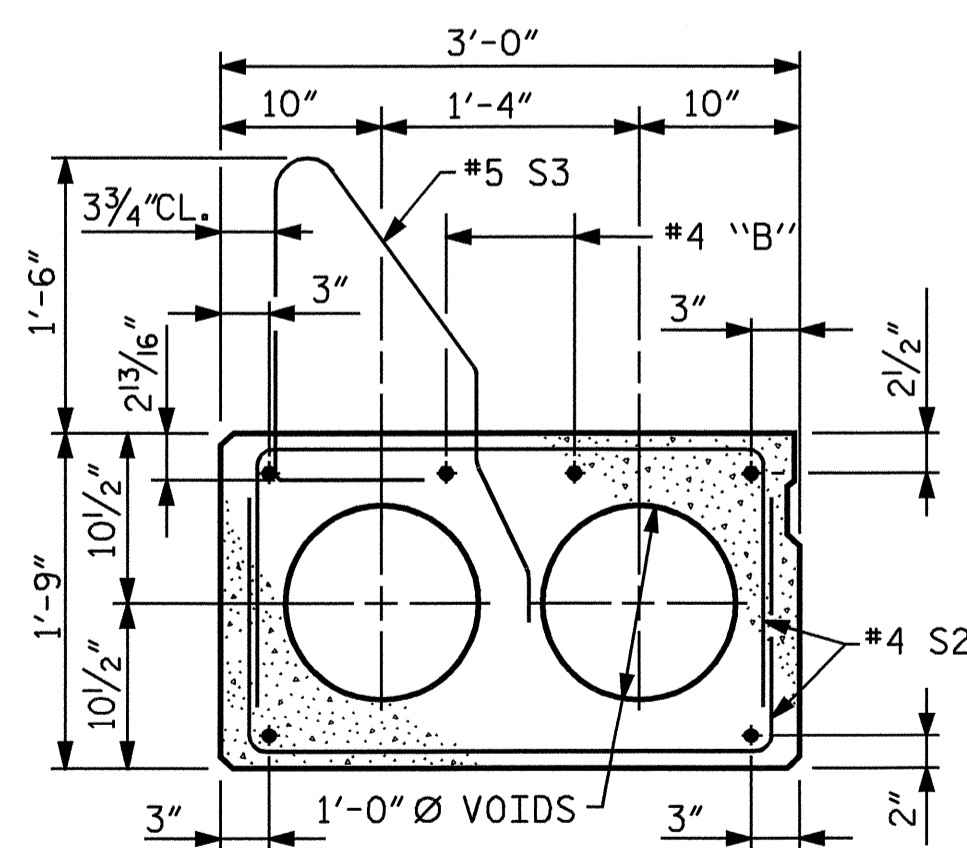


DETAIL A



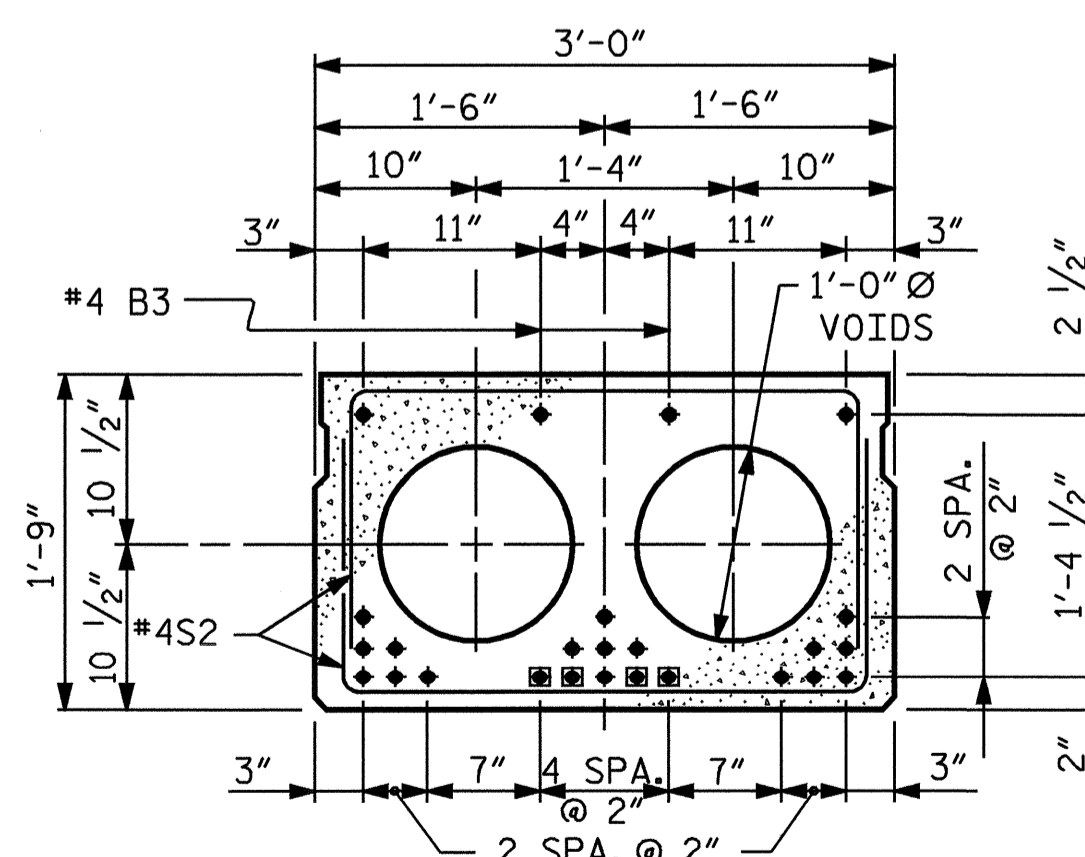
SHEAR KEY DETAIL

NOTE: OMIT SHEAR KEY ON OUTSIDE FACE OF EXTERIOR CORED SLABS.



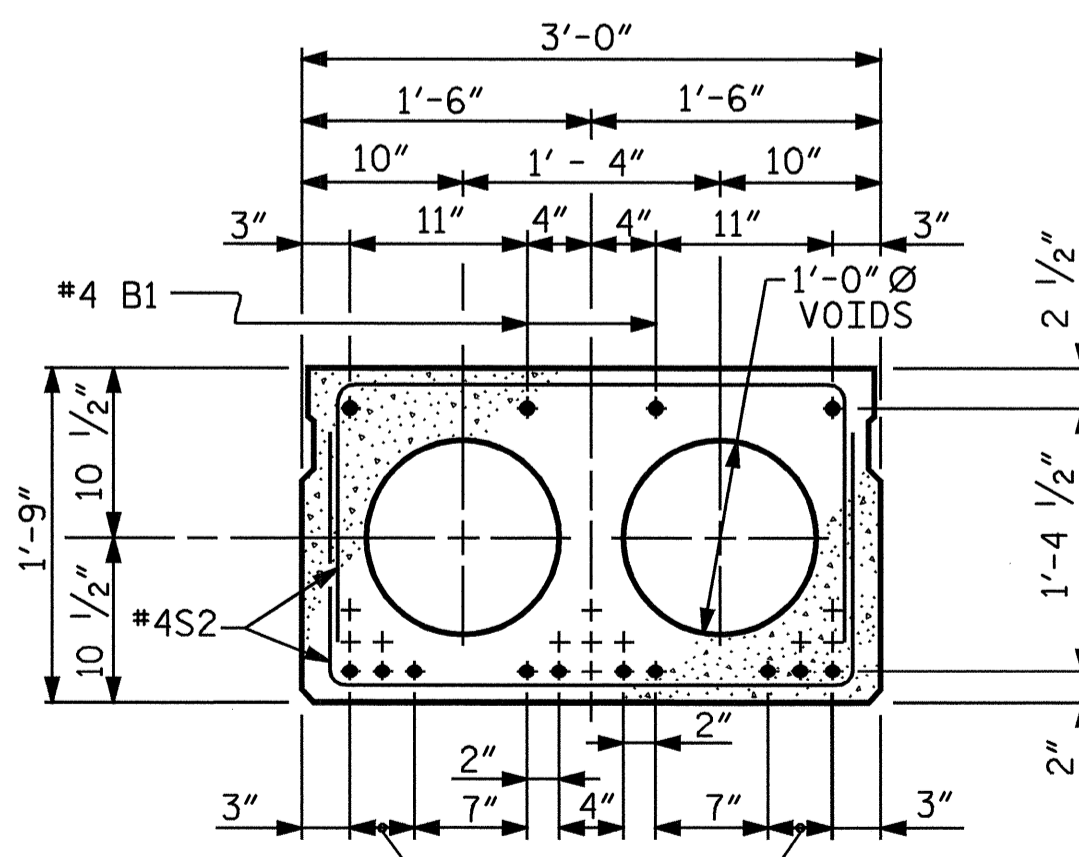
EXTERIOR SLAB SECTION

(FOR PRESTRESSED STRAND LAYOUT, SEE INTERIOR SLAB SECTIONS.)



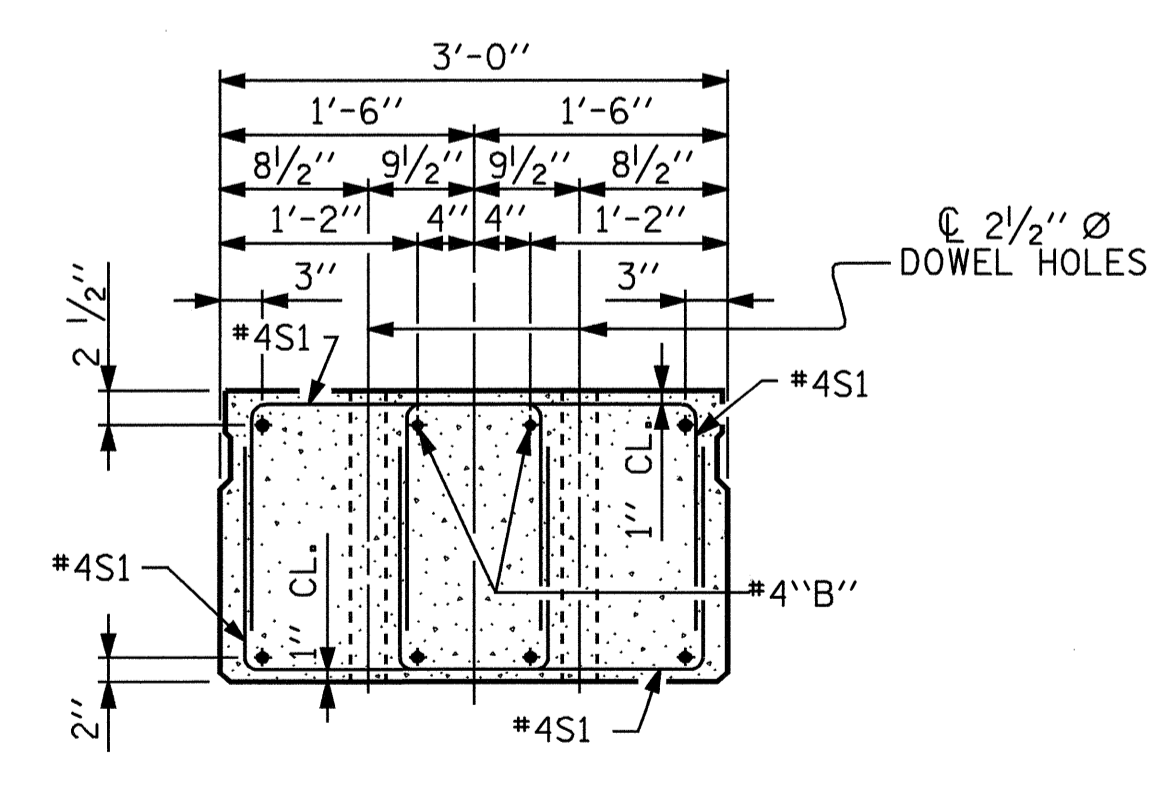
SPAN B INTERIOR SLAB SECTION

1/2" Ø LOW RELAXATION STRAND LAYOUT



SPAN A & C INTERIOR SLAB SECTION

1/2" Ø LOW RELAXATION STRAND LAYOUT



END ELEVATION

SHOWING PLACEMENT OF DOUBLE STIRRUPS AND LOCATION OF DOWEL HOLES. (STRAND LAYOUT NOT SHOWN.) INTERIOR SLAB SECTION SHOWN-EXTERIOR SLAB SECTION SIMILAR EXCEPT SHEAR KEY LOCATION.

ASSEMBLED BY :	H.T. BARBOUR	DATE :	7-15-04
CHECKED BY :	D.A. DAVENPORT	DATE :	7-04
DRAWN BY :	WJH 4/89	REV. 8/16/99	RWW/LES
CHECKED BY :	FCJ 5/89	REV. 10/17/00	RWW/LES
		REV. 7/10/01	RWW/LES

21-FEB-2005 07:27
W:\squad\B4260\barbarbour\Microstation\B-4260_sd_CS_01.dgn
cdavenport

PROJECT NO. B-4260
RUTHERFORD COUNTY
STATION: 16+23.47 -L-
SHEET 1 OF 5

STATE OF NORTH CAROLINA
DEPARTMENT OF TRANSPORTATION
RALEIGH

3'-0" X 1'-9"
PRESTRESSED CONCRETE
CORED SLAB UNIT

REVISIONS						SHEET NO.
NO.	BY:	DATE:	NO.	BY:	DATE:	S-4
1			3			TOTAL SHEETS 22
2			4			

