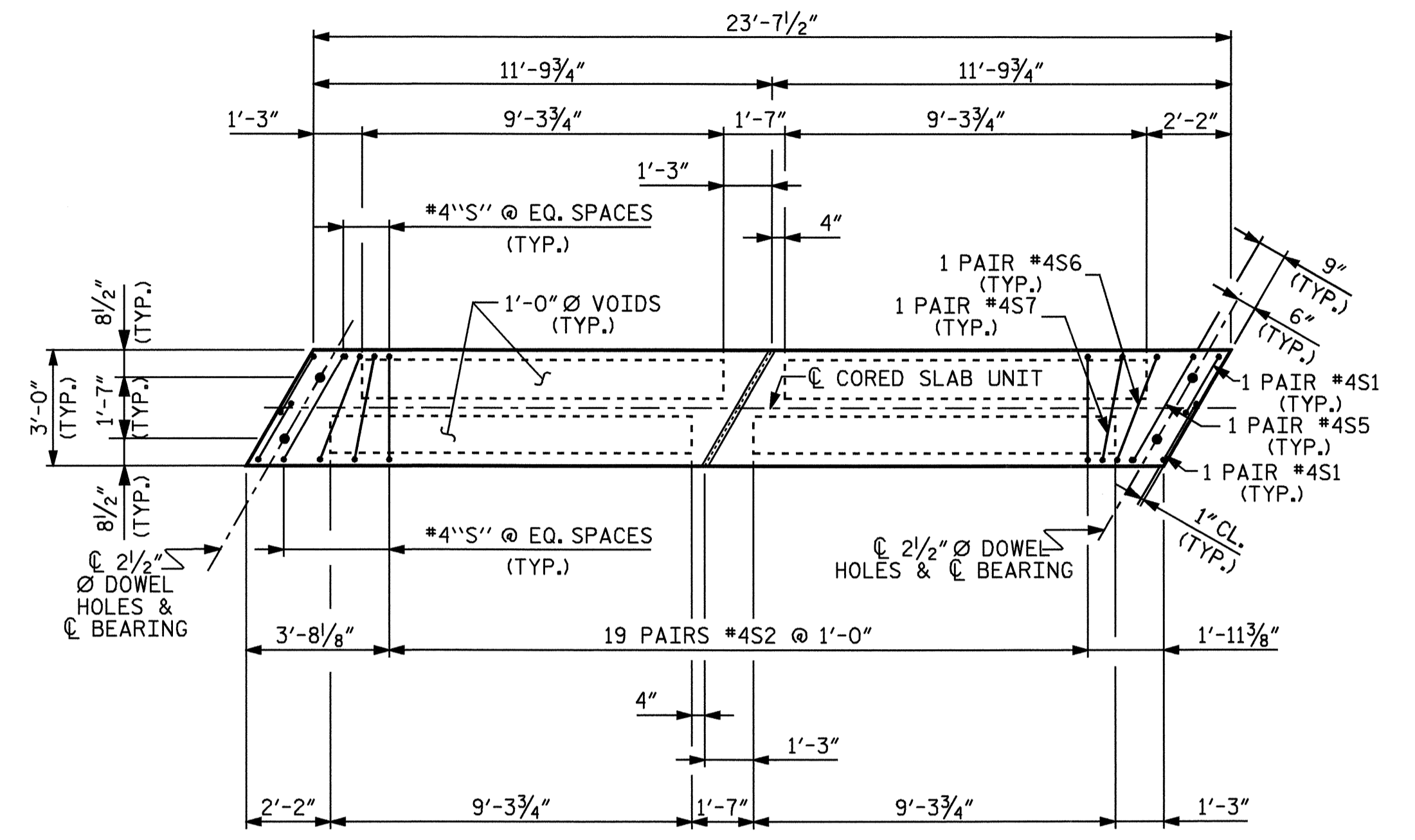
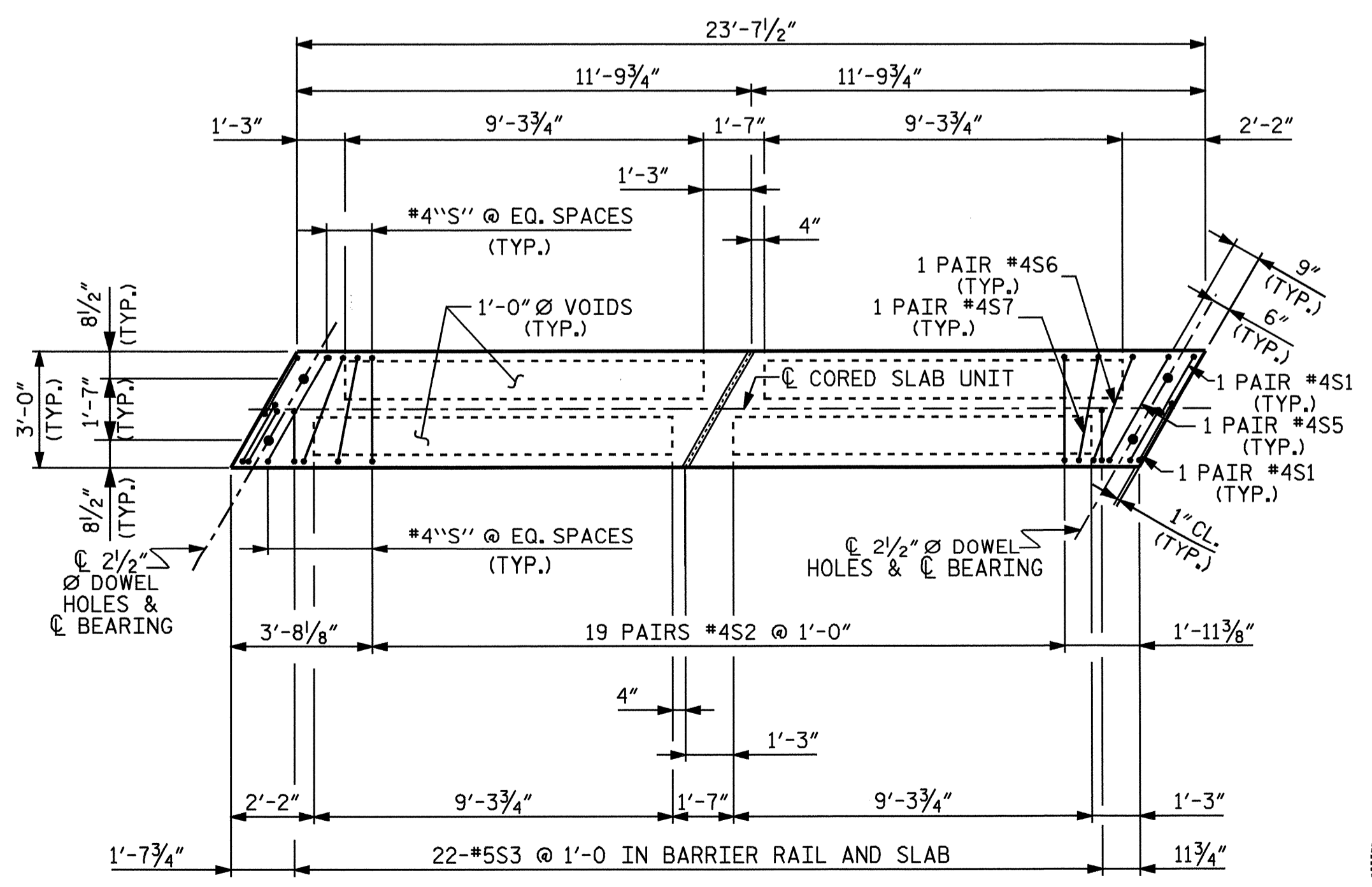


PLAN OF SPAN C



PLAN OF INTERIOR CORED SLAB UNIT



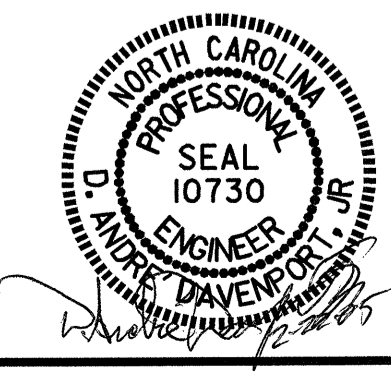
PLAN OF EXTERIOR CORED SLAB UNIT

PROJECT NO. B-4260  
 RUTHERFORD COUNTY  
 STATION: 16+23.47-L-

SHEET 4 OF 5

STATE OF NORTH CAROLINA  
 DEPARTMENT OF TRANSPORTATION  
 RALEIGH

SUPERSTRUCTURE  
 PLAN OF SPAN C



DRAWN BY: H. TOM BARBOUR DATE: 7-18-04  
 CHECKED BY: D. A. DAVENPORT DATE: 7-04

REVISIONS						SHEET NO.	
NO.	BY:	DATE:	NO.	BY:	DATE:	S-7	
1			3			TOTAL SHEETS	
2			4			22	