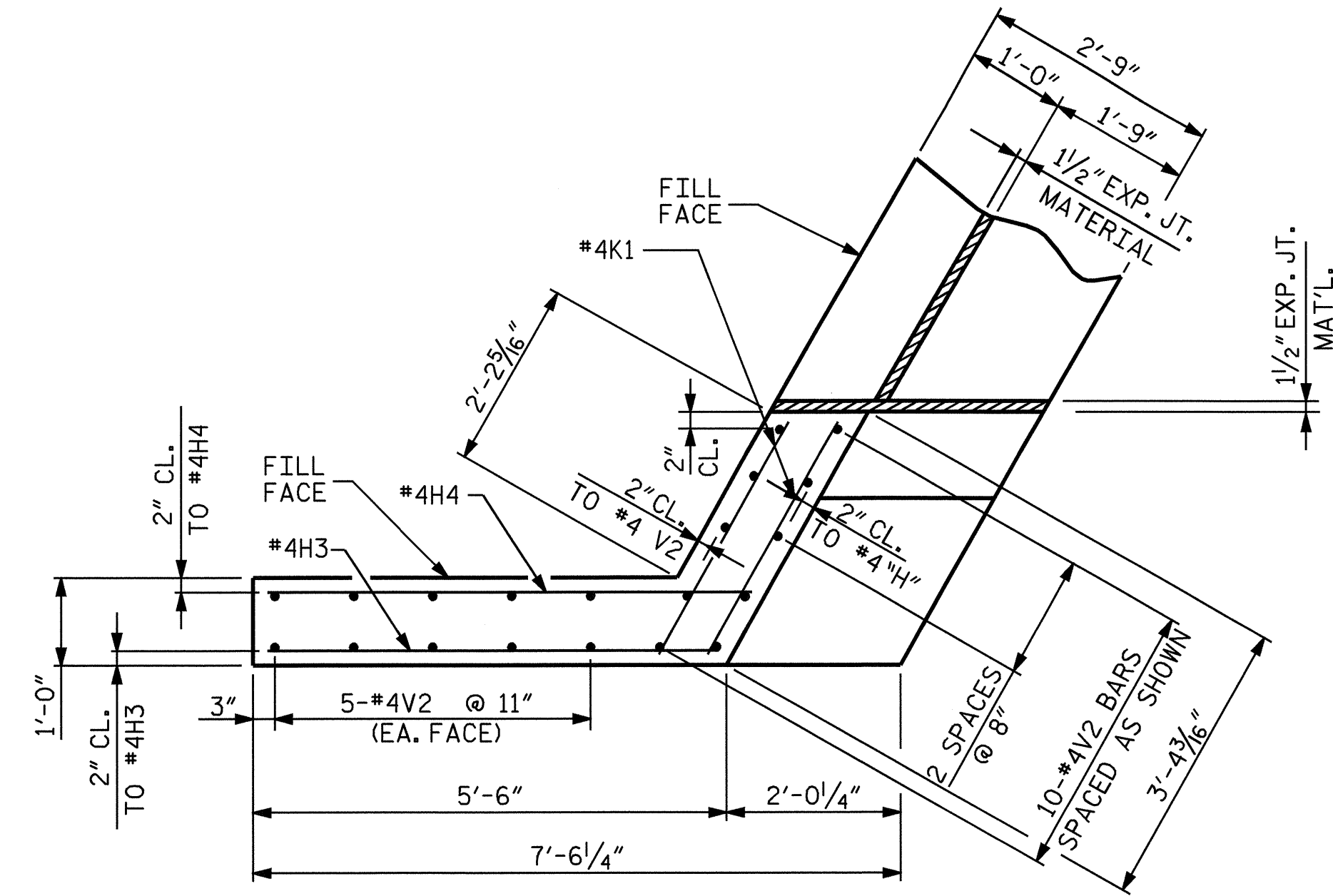
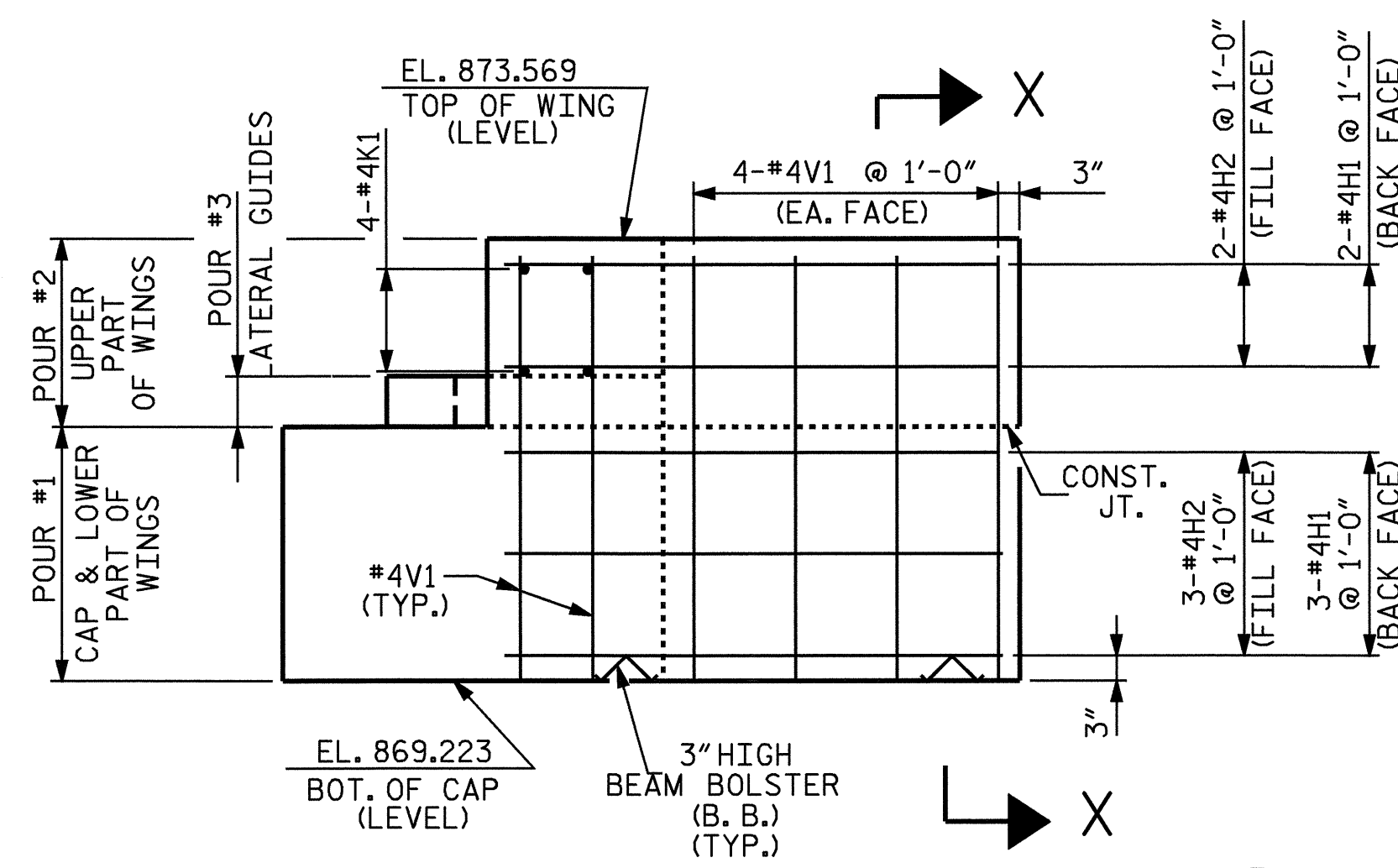


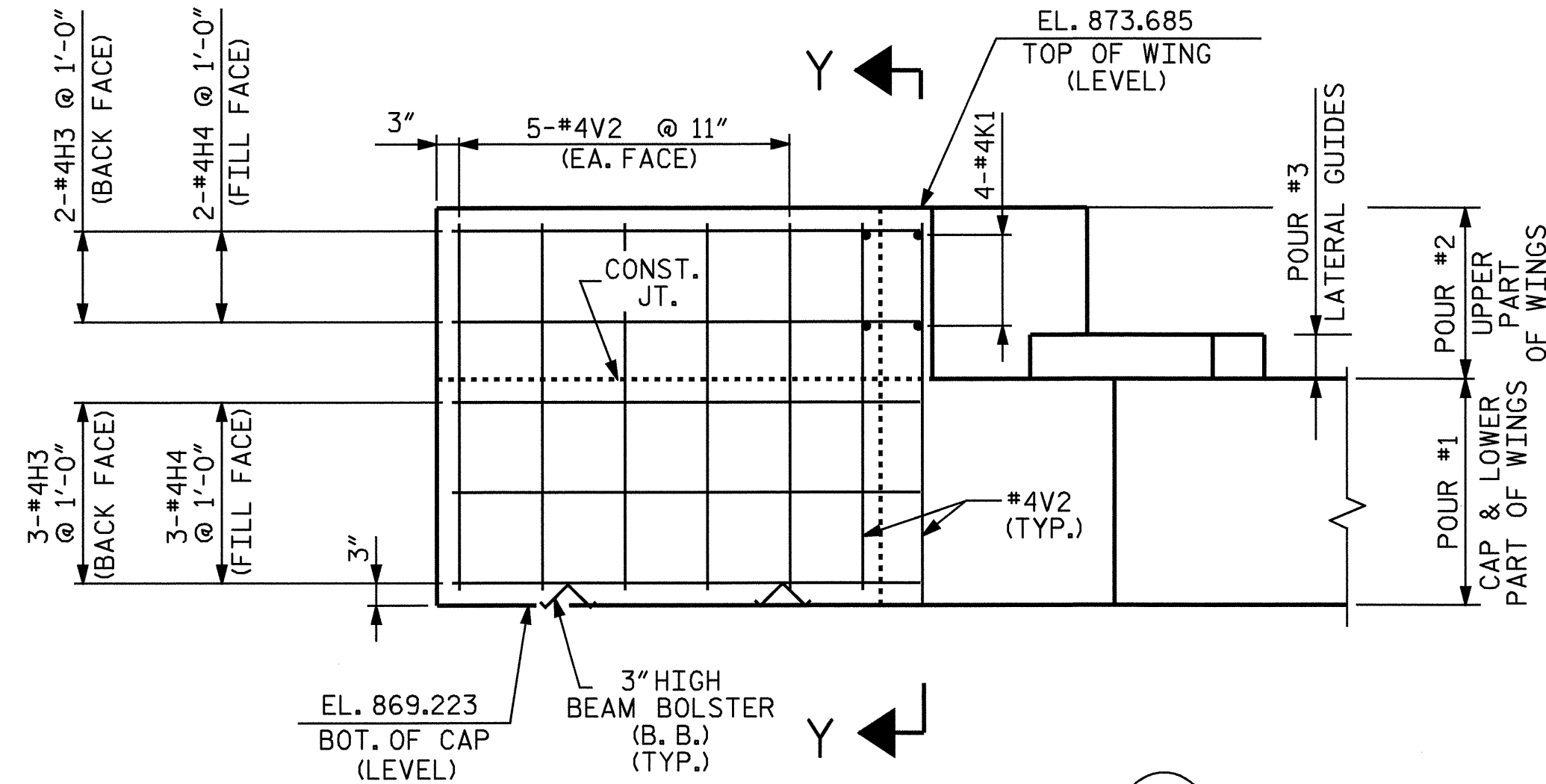
PLAN OF LEFT WING (W1)



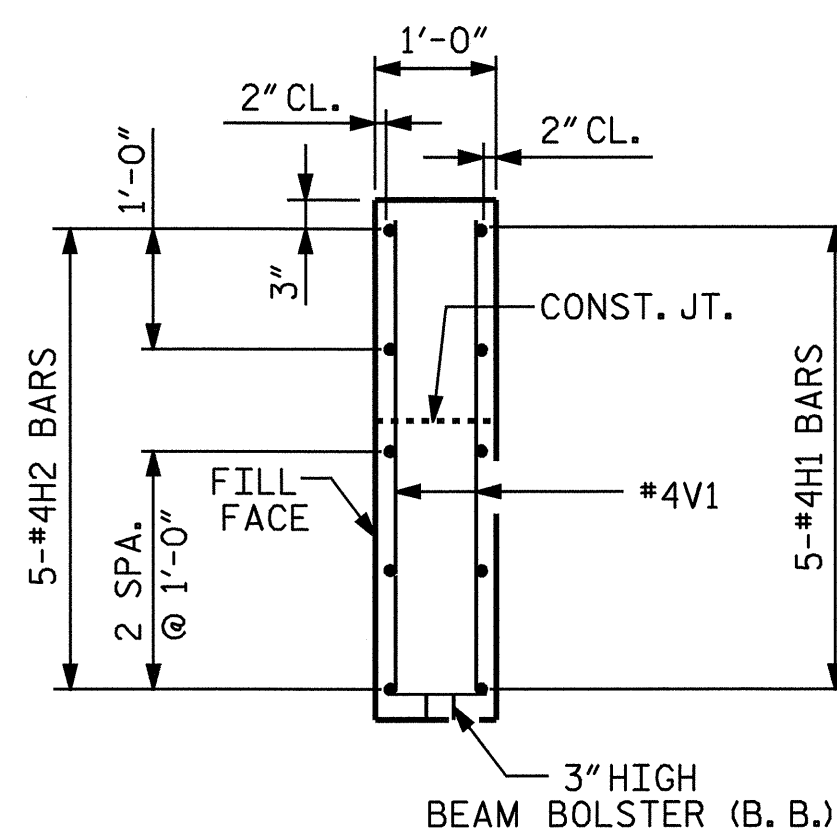
PLAN OF RIGHT WING (W2)



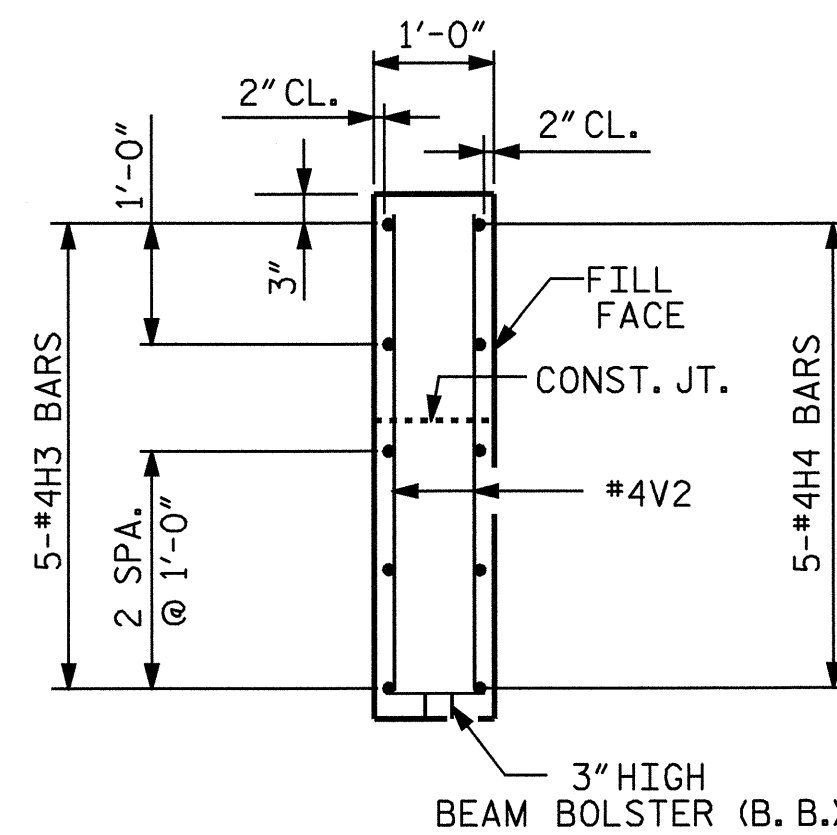
ELEVATION OF LEFT WING (W1)



ELEVATION OF RIGHT WING (W2)



SECTION X-X



SECTION Y-Y

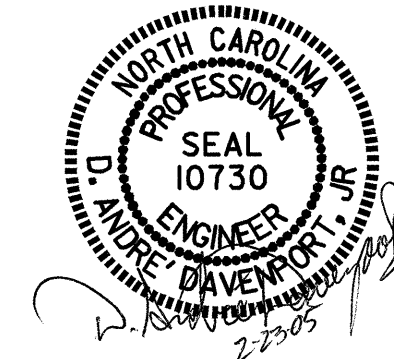
DRAWN BY: ADAM A COLE DATE: 6/29/04
 CHECKED BY: A. SORSENGINH DATE: 12/29/04

PROJECT NO. B-4260
 RUTHERFORD COUNTY
 STATION: 16+23.47 -L-

SHEET 2 OF 3

STATE OF NORTH CAROLINA
 DEPARTMENT OF TRANSPORTATION
 RALEIGH

SUBSTRUCTURE
 END BENT 1



REVISIONS						SHEET NO.	
NO.	BY:	DATE:	NO.	BY:	DATE:	S-10	
1			3			TOTAL SHEETS	
2			4			22	