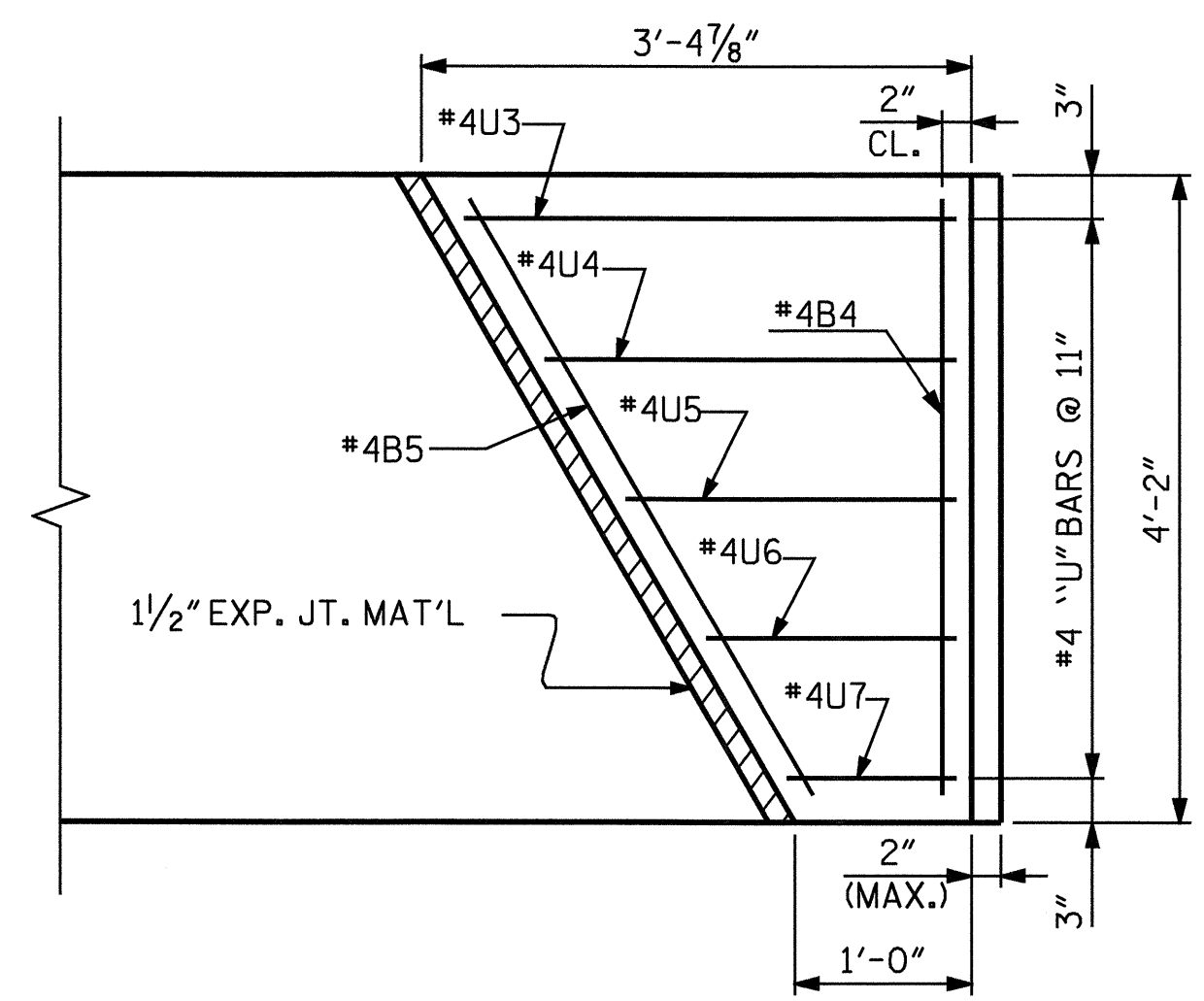
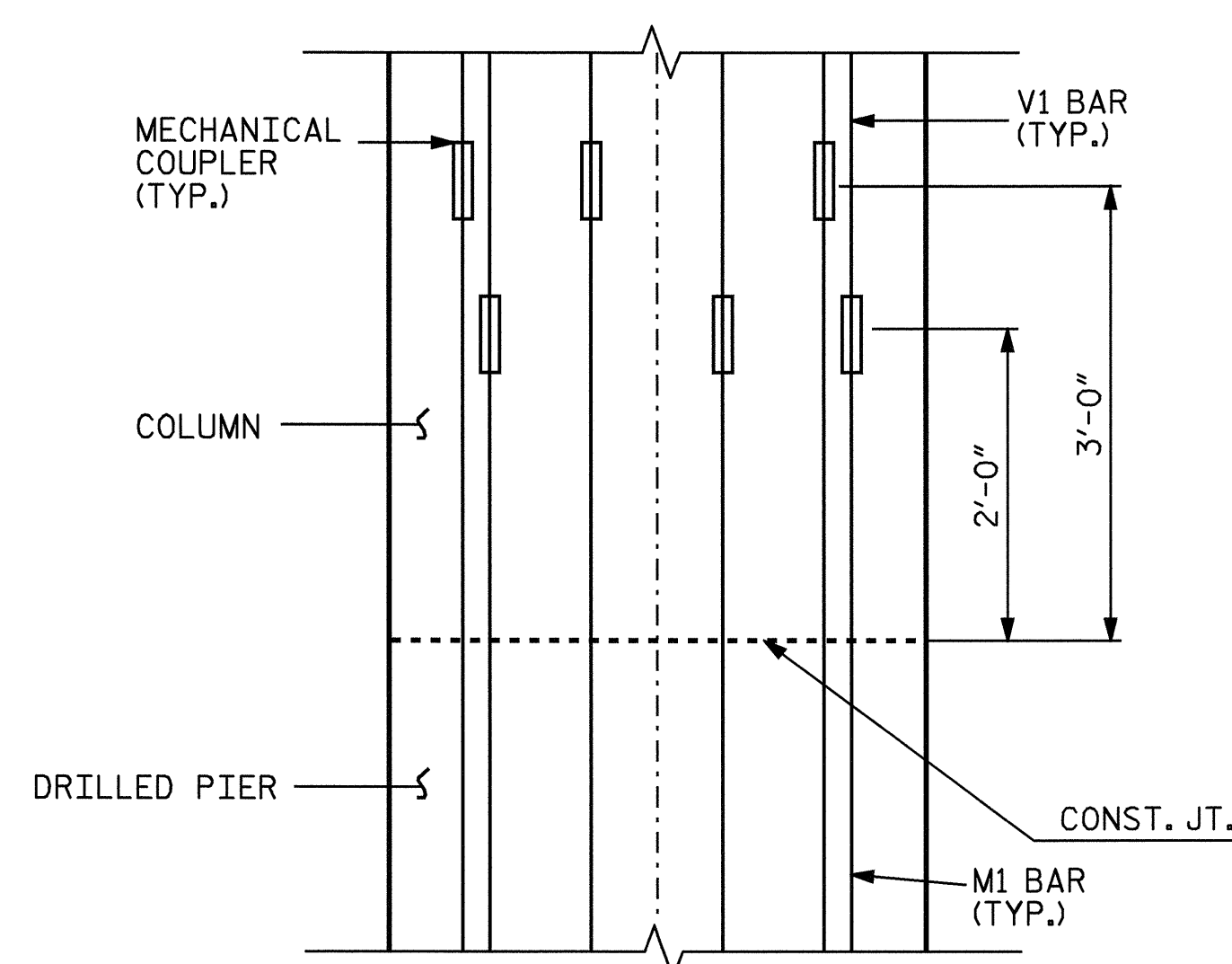


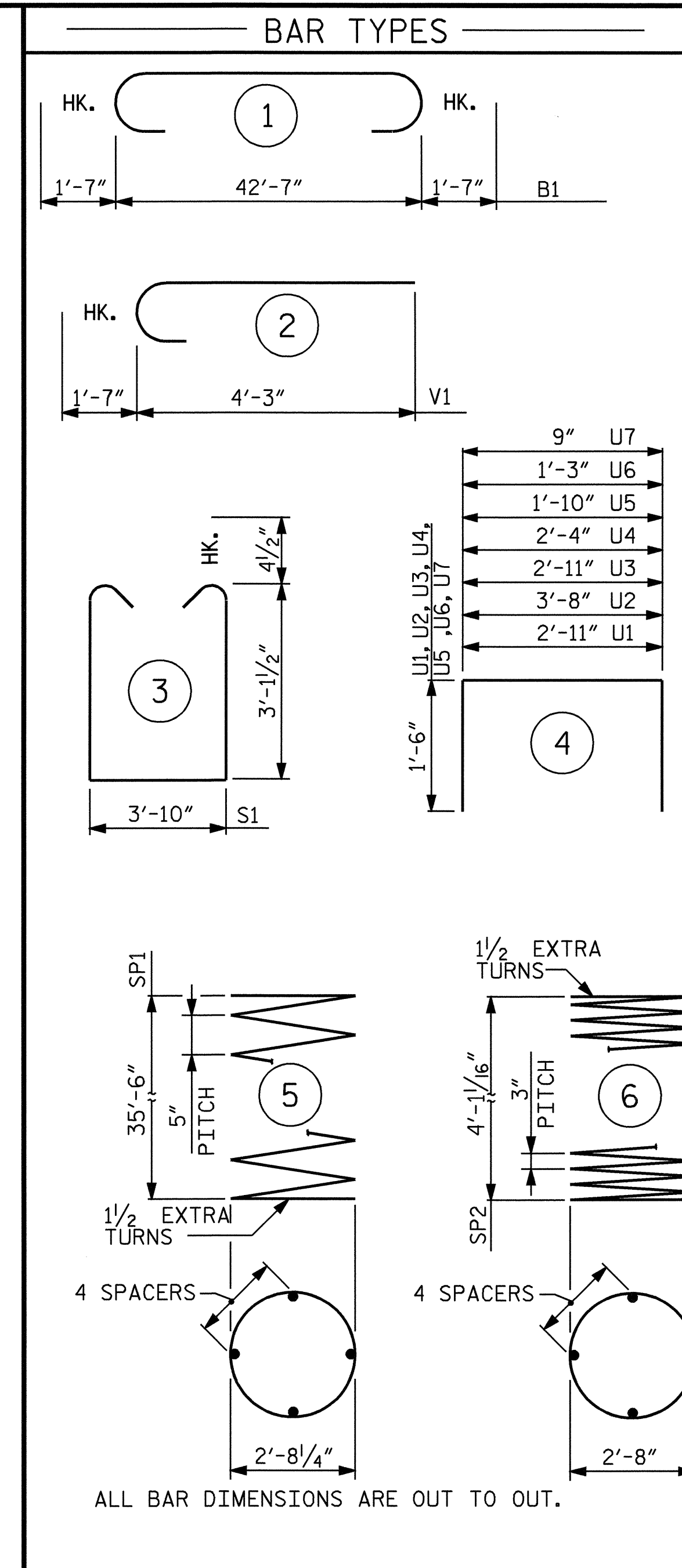
END VIEW
 2" MIN. CONCRETE COVER FROM END OF CAP REQUIRED FOR ALL #4U1 AND #4U2 BARS.
 #4U1 AND #4U2 BARS MAY BE SHIFTED UP TO 2" TO CLEAR "B" BARS.



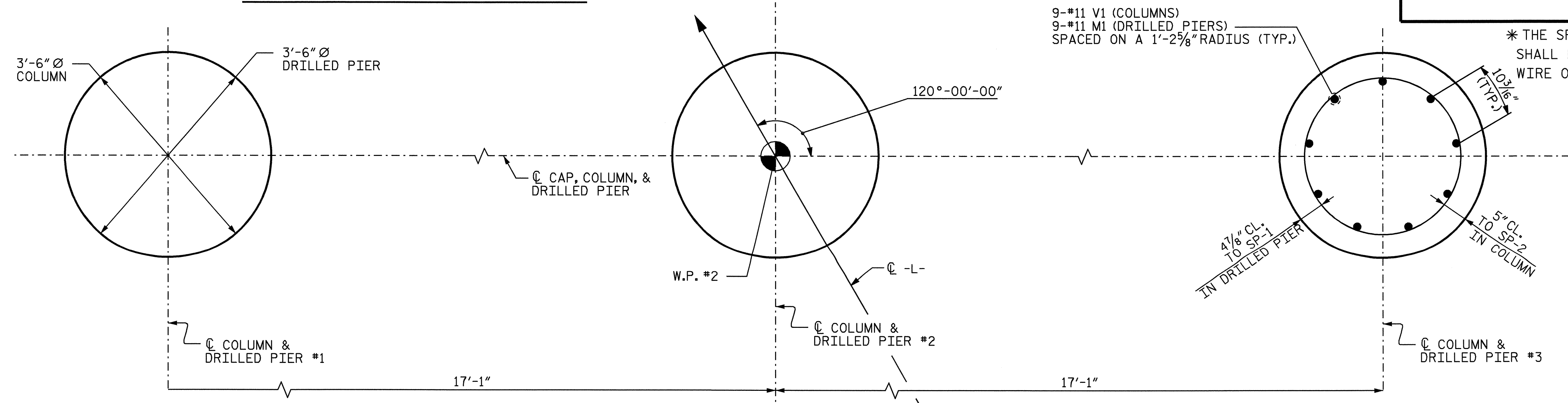
LATERAL GUIDE DETAIL



DETAIL 'A'



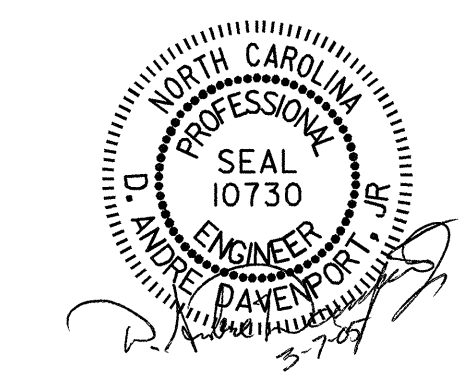
BILL OF MATERIAL					
BENT #1					
BAR	NO.	SIZE	TYPE	LENGTH	WEIGHT
B1	6	#9	1	45'-9"	933
B2	4	#5	STR.	42'-9"	178
B3	6	#9	STR.	42'-9"	872
B4	2	#4	STR.	3'-10"	5
B5	2	#4	STR.	4'-5"	6
D1	44	#6	STR.	1'-6"	99
M1	27	#9	STR.	41'-6"	3810
S1	56	#4	3	10'-10"	405
U1	6	#4	4	5'-11"	24
U2	6	#4	4	6'-8"	27
U3	2	#4	4	5'-11"	8
U4	2	#4	4	5'-4"	7
U5	2	#4	4	4'-10"	6
U6	2	#4	4	4'-3"	6
U7	2	#4	4	3'-9"	5
V1	27	#9	2	5'-10"	535
REINFORCING STEEL (LBS.)					6926
SP-1	3	*	5	732'-1"	2291
SP-2	3	**	6	150'-8"	302
SPIRAL REINFORCING STEEL (LBS.)					2593
CLASS A CONCRETE POUR #2 (COLUMNS)					4.4 C.Y.
POUR #3 (CAP)					23.3 C.Y.
POUR #4 (LATERAL GUIDES)					0.3 C.Y.
TOTAL					28.0 C.Y.
DRILLED PIERS					
DRILLED PIER CONCRETE (CU. YARDS)					
POUR #1 (DRILLED PIERS)					38.5C.Y.
3'-6" Ø DRILLED PIERS IN SOIL					87 FT.
3'-6" Ø DRILLED PIERS NOT IN SOIL					21 FT.
SPT TESTING					2 EACH
SID INSPECTION					2 EACH
CROSSHOLE SONIC LOGGING					1 EACH
CSL TUBES					462 FT.



PLAN OF COLUMNS AND DRILLED PIERS
 ALL COLUMNS AND DRILLED PIERS ARE IDENTICAL

* THE SP-1 SPIRAL REINFORCING STEEL SHALL BE W31 OR D-31 COLD DRAWN WIRE OR #5 PLAIN OR DEFORMED BAR.
 ** THE SP-2 SPIRAL REINFORCING STEEL SHALL BE W20 OR D-20 COLD DRAWN WIRE OR #4 PLAIN OR DEFORMED BAR.

PROJECT NO. B-4260
RUTHERFORD COUNTY
 STATION: 16+23.47 -L-
 SHEET 2 OF 2



REVISIONS						SHEET NO.
NO.	BY:	DATE:	NO.	BY:	DATE:	S-13
1			3			TOTAL SHEETS 22
2			4			

DRAWN BY: A. COLE DATE: 12/20/04
 CHECKED BY: A. SORSENGINH DATE: 1/4/05