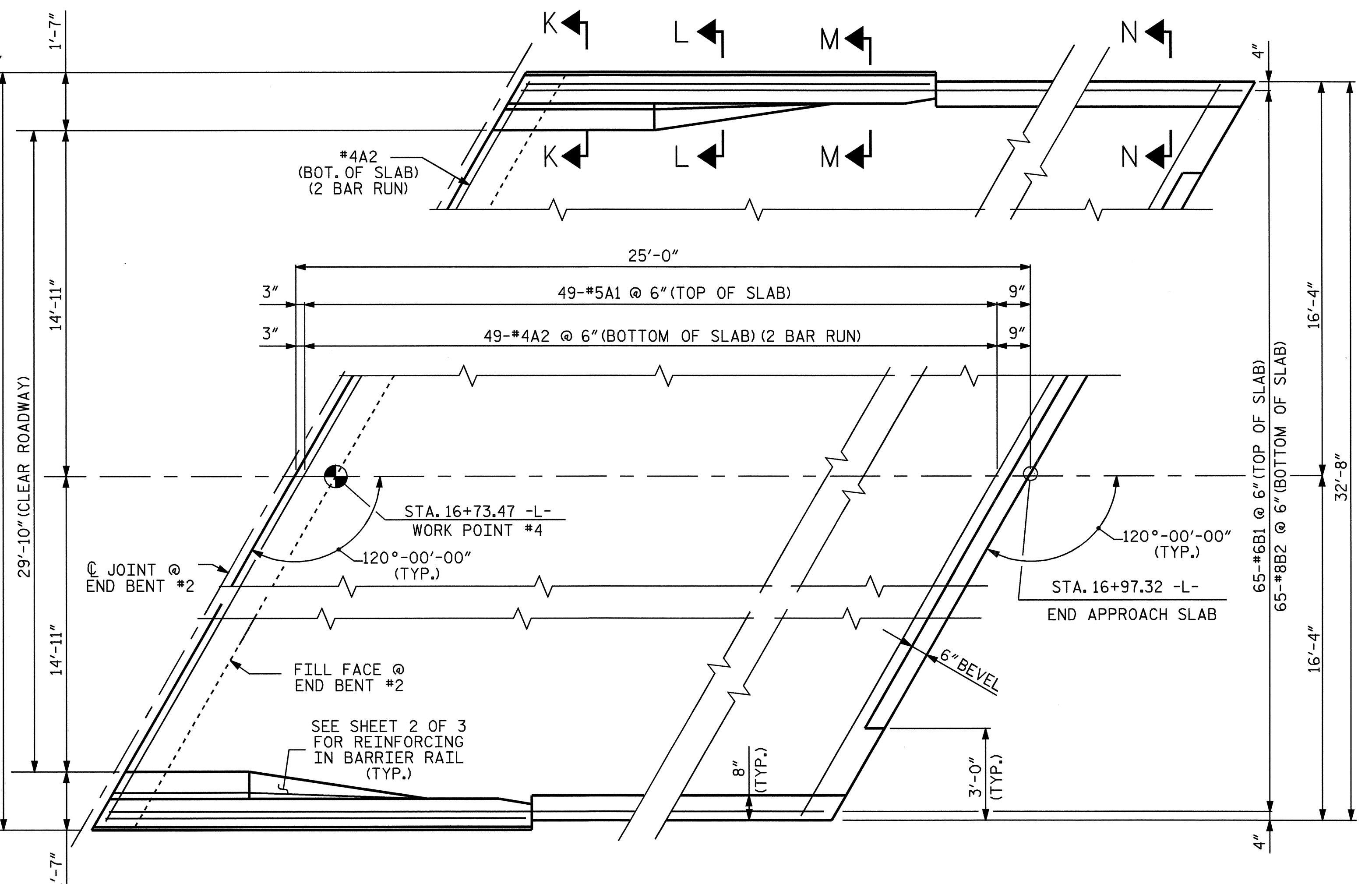
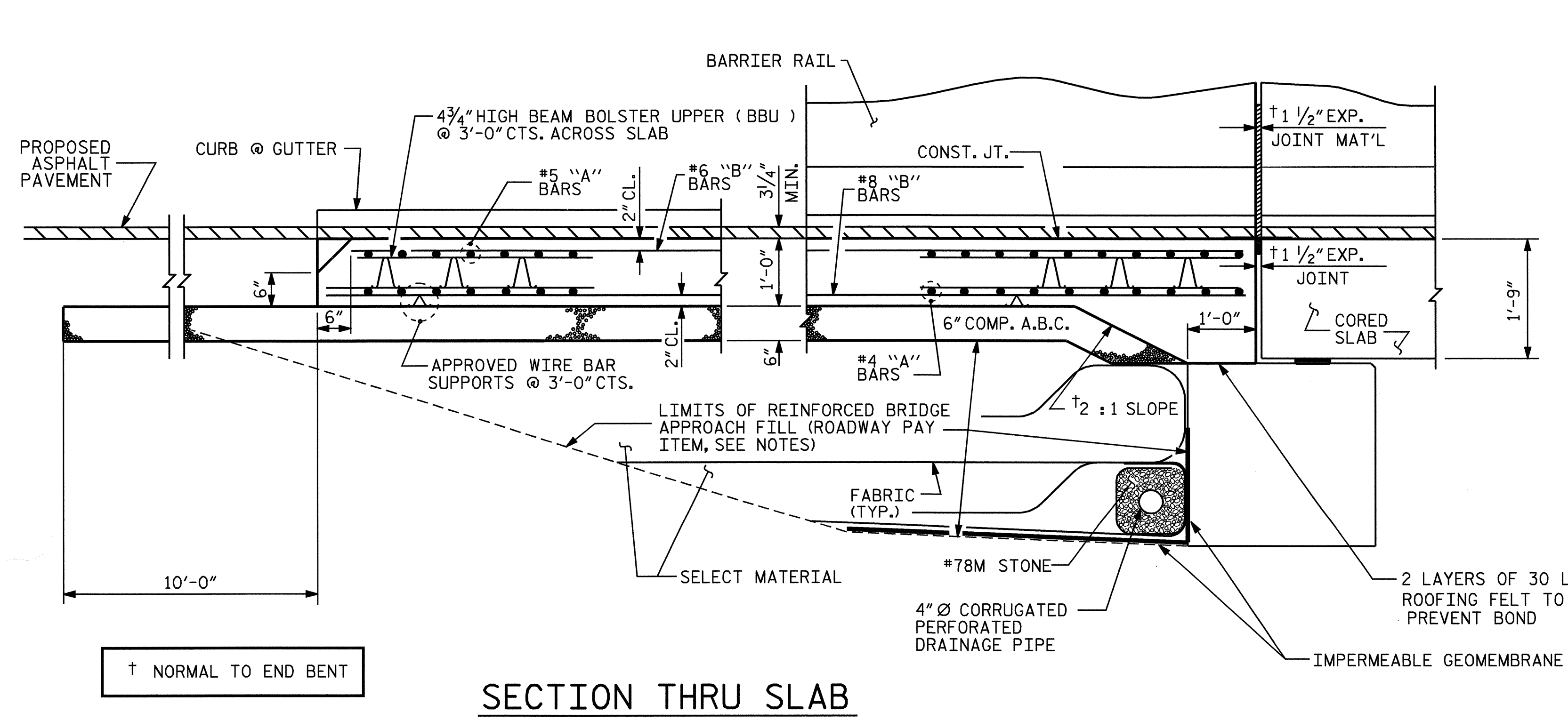


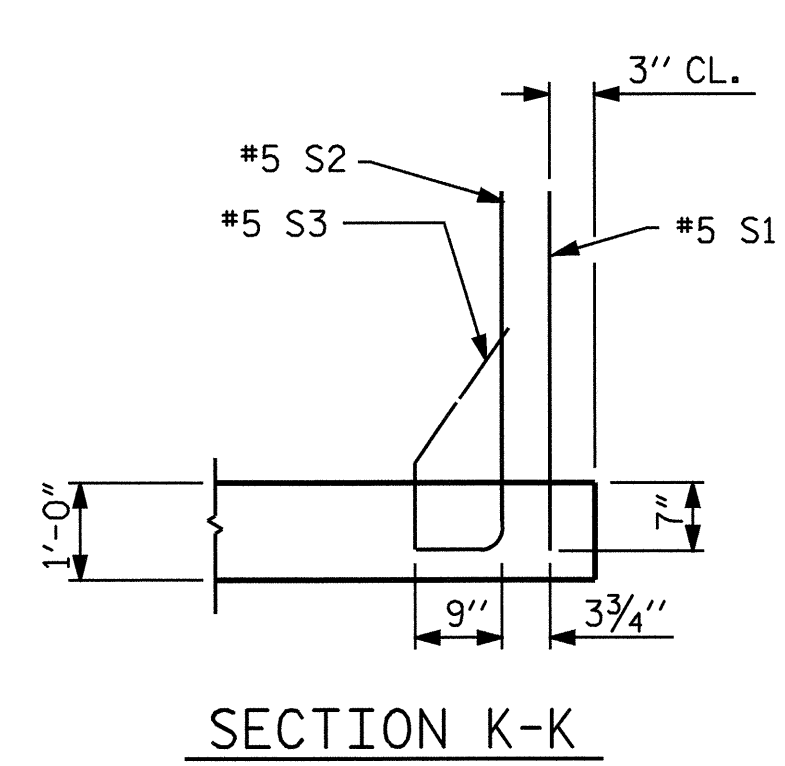
PLAN AT END BENT #1



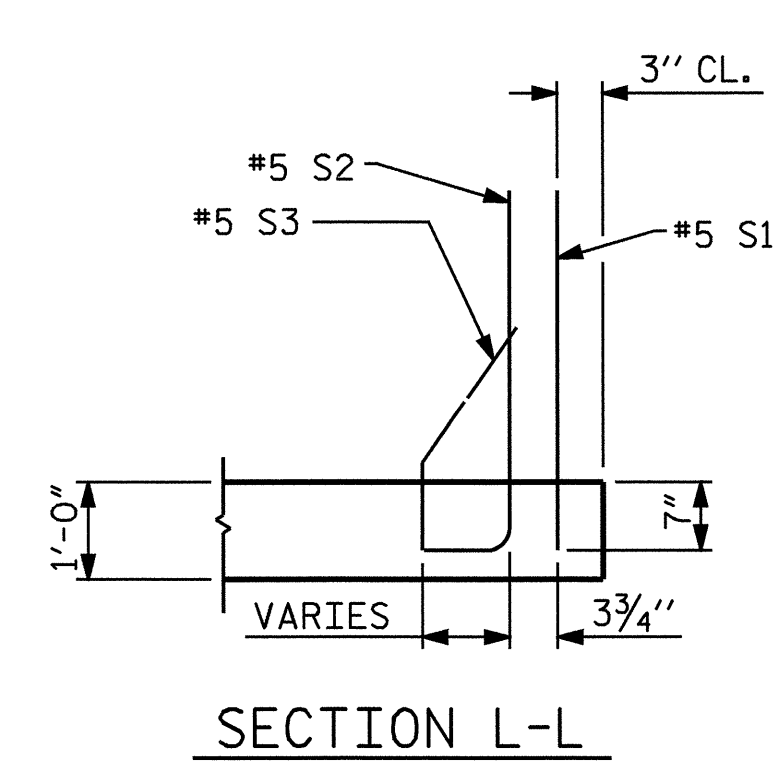
PLAN AT END BENT #2



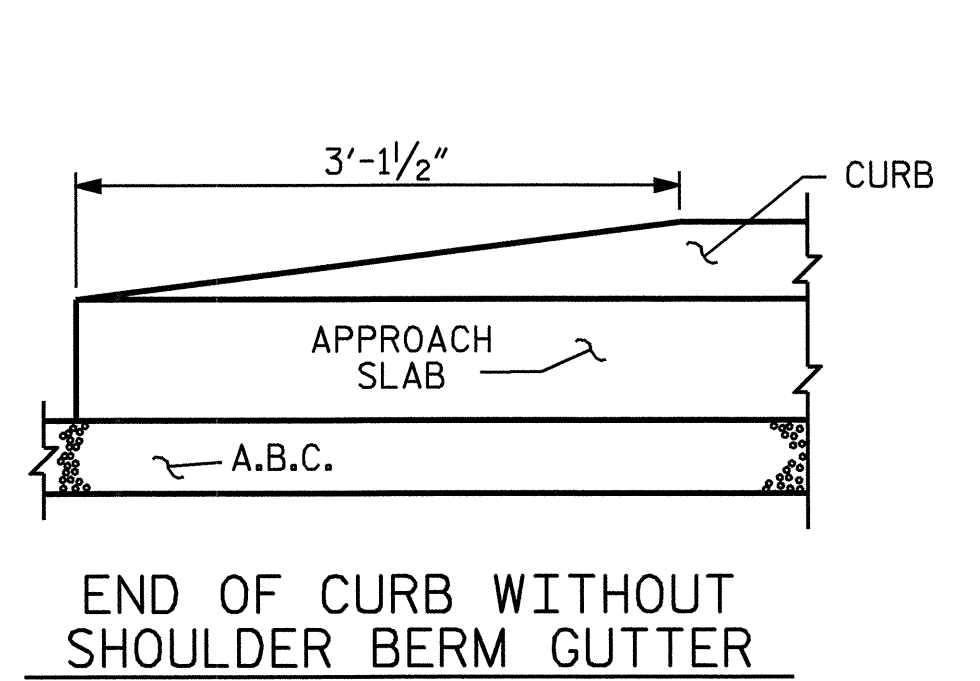
SECTION THRU SLAB



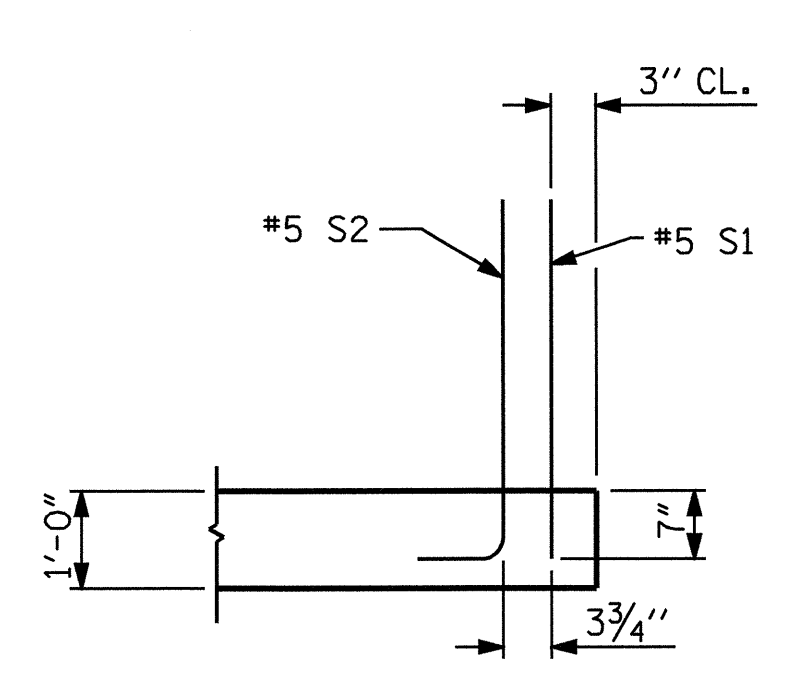
SECTION K-K



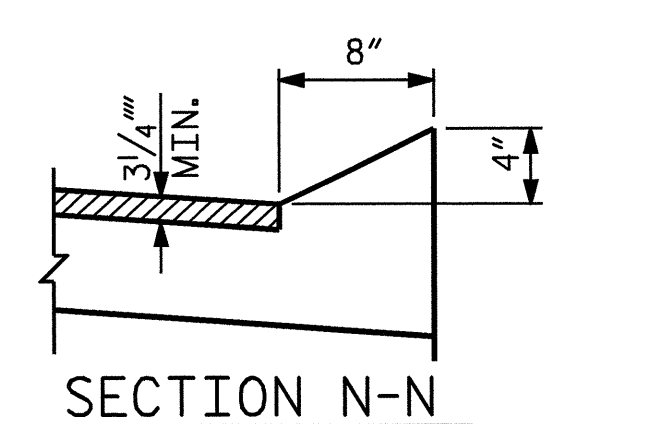
SECTION L-L



END OF CURB WITHOUT SHOULDER BERM GUTTER



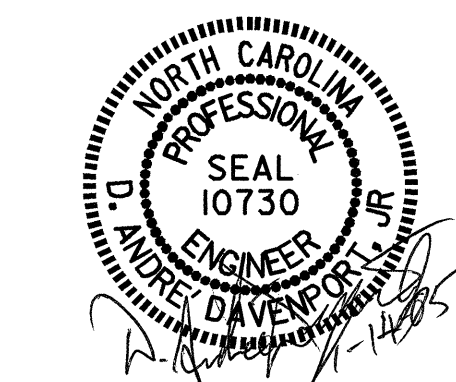
SECTION M-M



SECTION N-N

PROJECT NO. B-4260
RUTHERFORD COUNTY
 STATION: 16+23.47-L-

SHEET 1 OF 3
 STATE OF NORTH CAROLINA
 DEPARTMENT OF TRANSPORTATION
 RALEIGH
 BRIDGE APPROACH SLAB
 FOR PRESTRESSED CONCRETE
 CORED SLAB WITH
 BARRIER RAIL



DRAWN BY : ADAM A. COLE DATE : 7/6/04
 CHECKED BY : S.P. LAM DATE : 8/04

REVISIONS						SHEET NO. S-20
NO.	BY:	DATE:	NO.	BY:	DATE:	
1			3			TOTAL SHEETS 22
2			4			