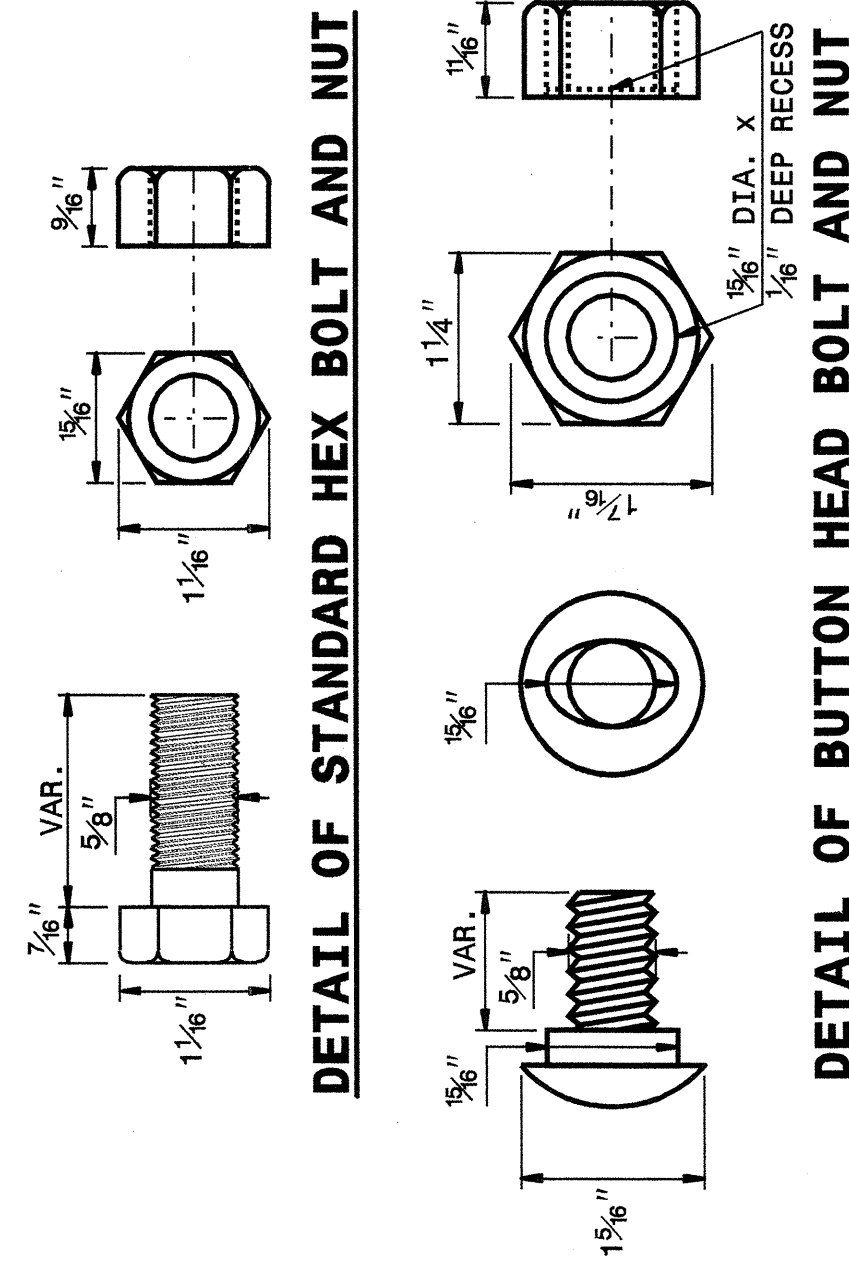
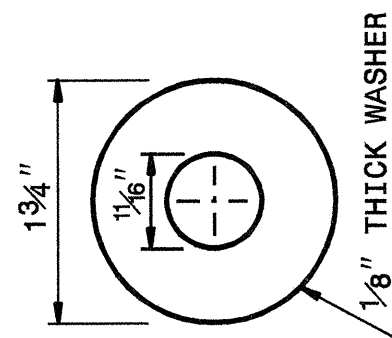
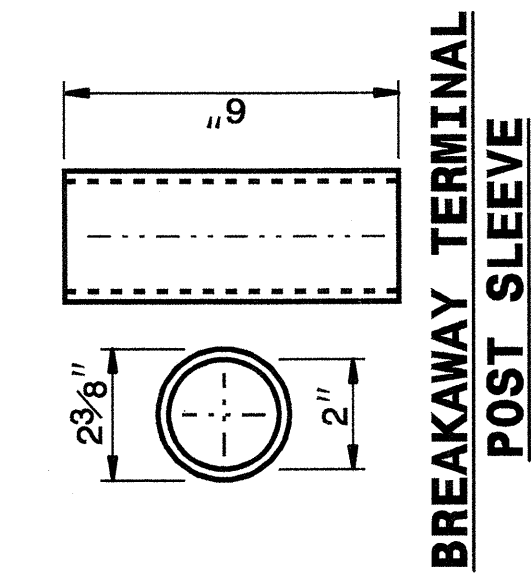


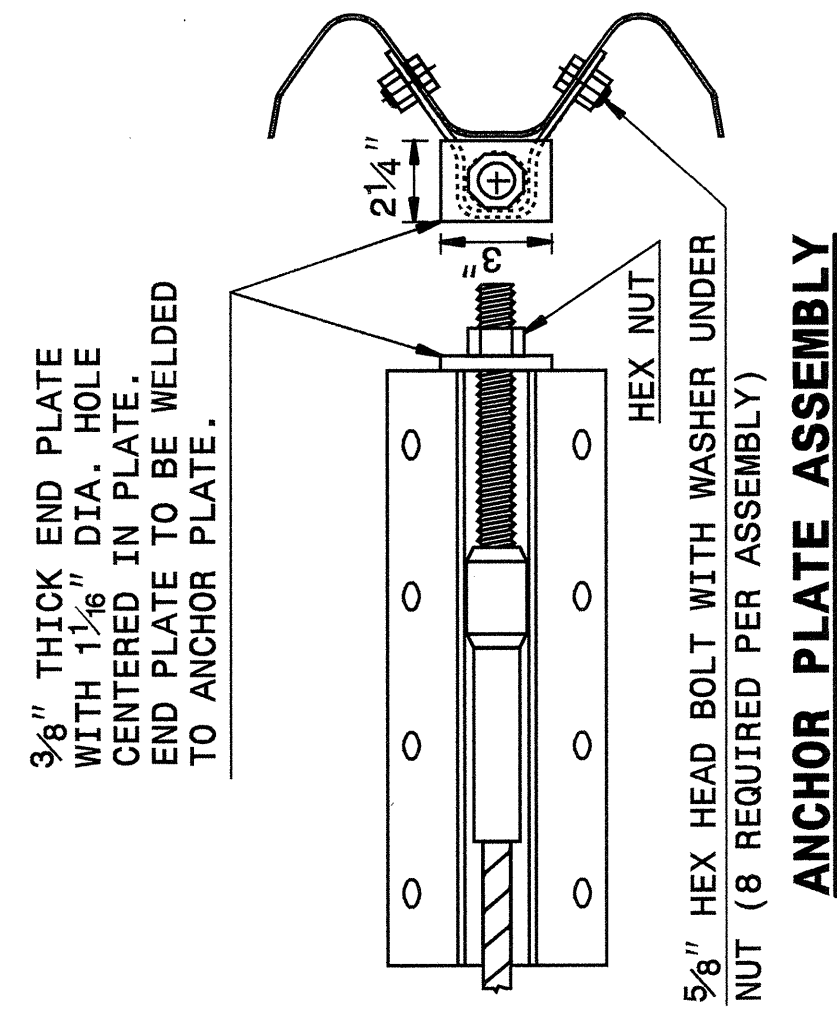
STATE OF NORTH CAROLINA  
DEPT. OF TRANSPORTATION  
DIVISION OF HIGHWAYS  
RALEIGH, N.C.

ENGLISH DETAIL DRAWING FOR  
GUARDRAIL INSTALLATION

SHEET 5 OF 7  
**862D02**

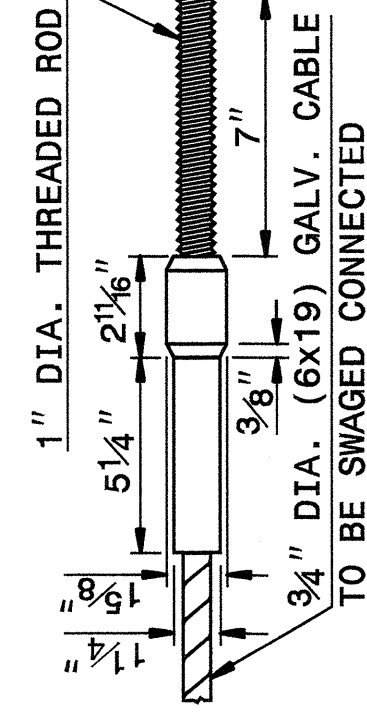


**DETAIL OF BUTTON HEAD BOLT AND NUT**

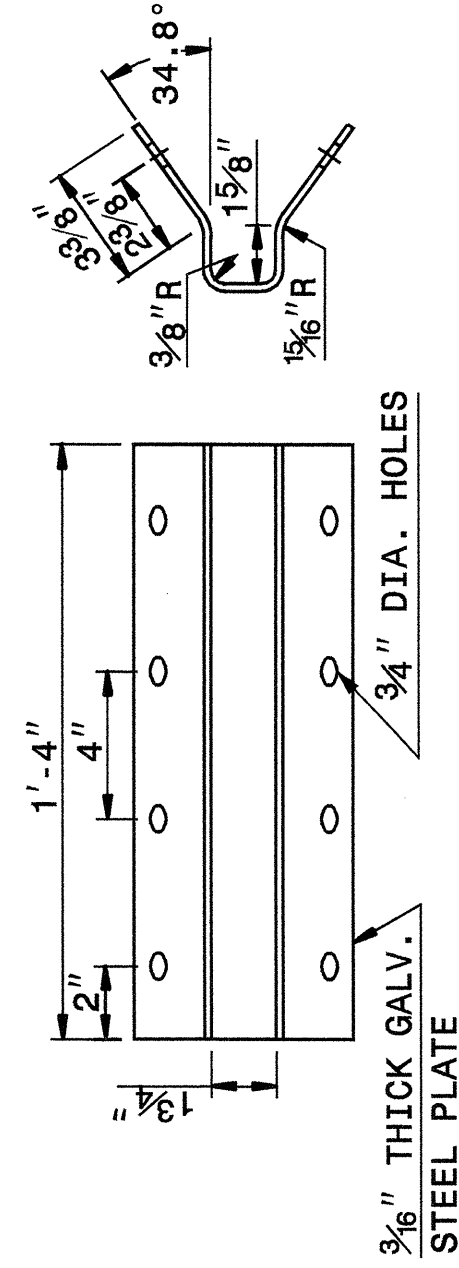


5/8" HEX HEAD BOLT WITH WASHER UNDER NUT (8 REQUIRED PER ASSEMBLY)

**ANCHOR PLATE ASSEMBLY**



**SWAGED CABLE**



3/8" THICK GALV. STEEL PLATE

**SYSTEM PARTS**

SHEET 5 OF 7  
**862D02**

STATE OF NORTH CAROLINA  
DEPT. OF TRANSPORTATION  
DIVISION OF HIGHWAYS  
RALEIGH, N.C.

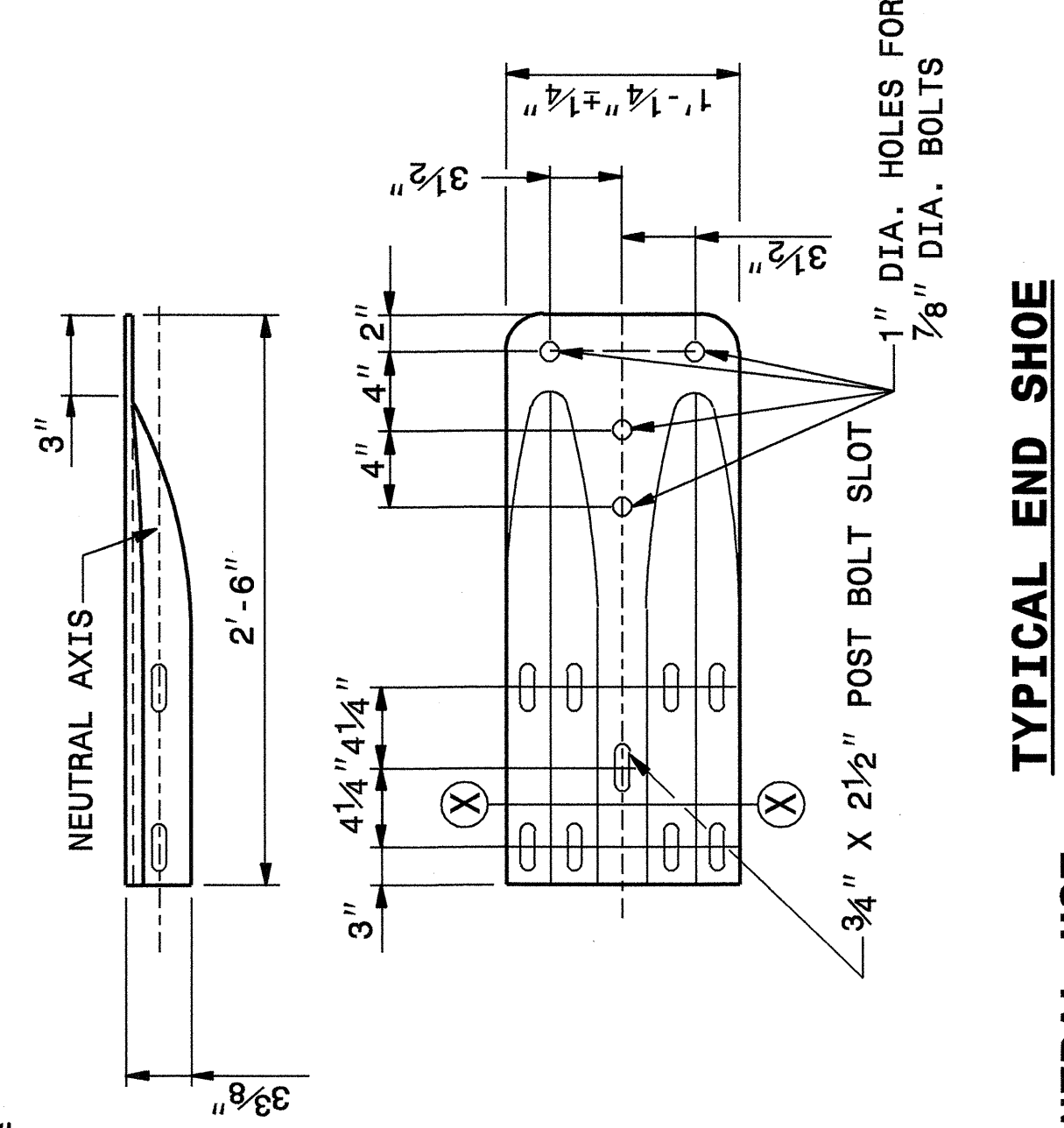
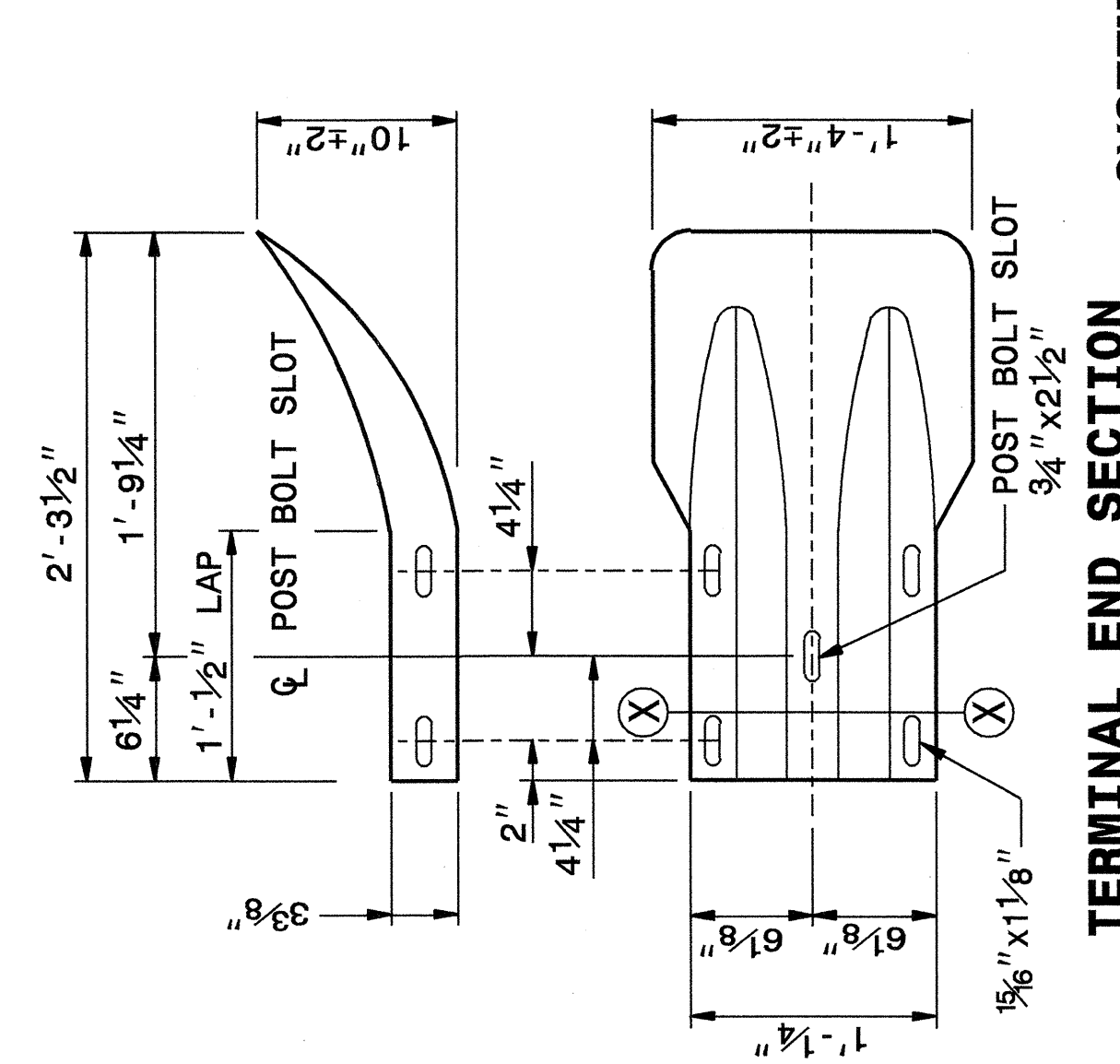
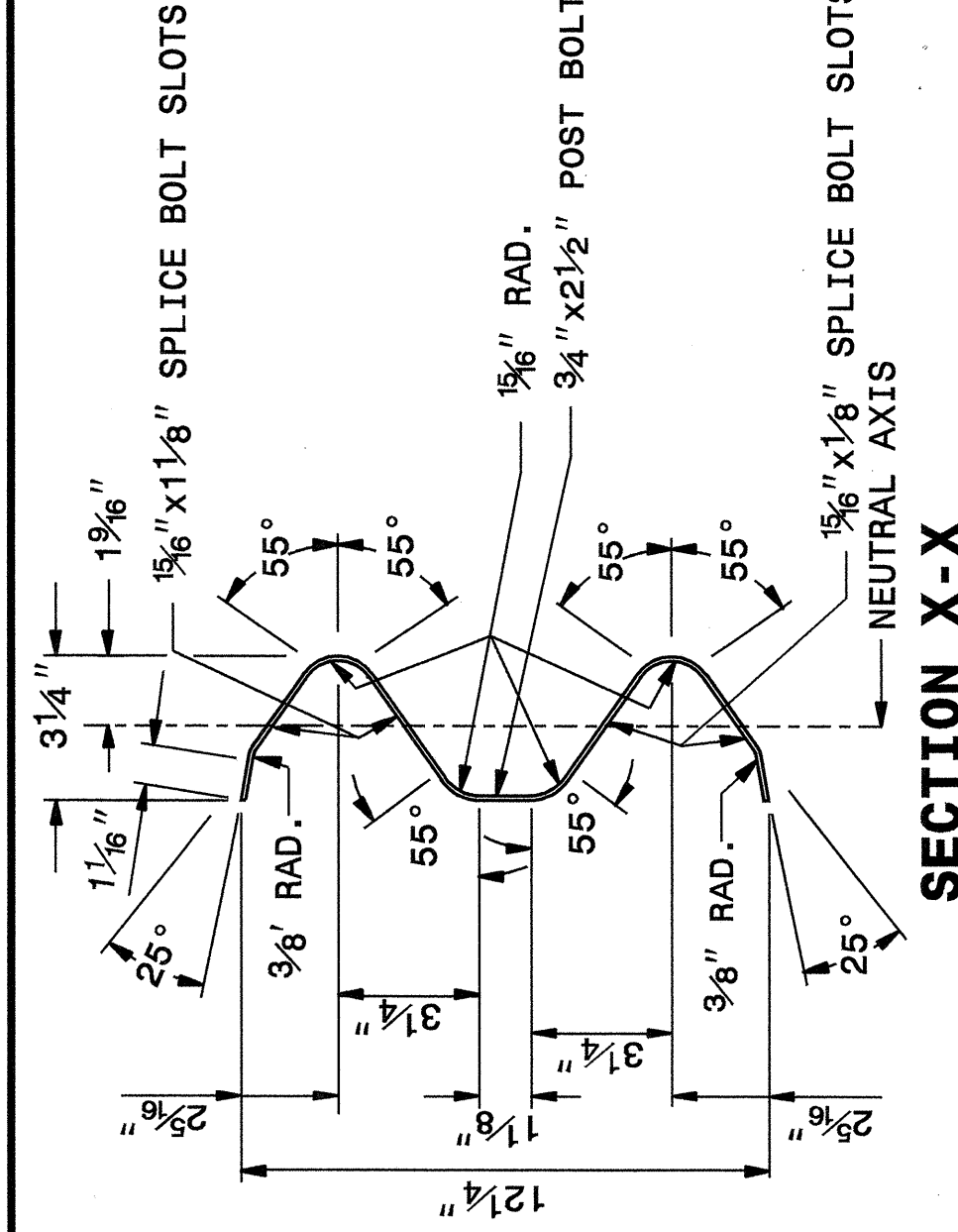
ENGLISH DETAIL DRAWING FOR  
GUARDRAIL INSTALLATION

SHEET 6 OF 7  
**862D02**

STATE OF NORTH CAROLINA  
DEPT. OF TRANSPORTATION  
DIVISION OF HIGHWAYS  
RALEIGH, N.C.

ENGLISH DETAIL DRAWING FOR  
GUARDRAIL INSTALLATION

SHEET 6 OF 7  
**862D02**



**SYSTEM PARTS - GENERAL USE**

SHEET 6 OF 7  
**862D02**

DESIGN SERVICES UNIT  
STANDARDS AND SPECIAL DESIGN  
Office 919-250-4128 FAX 919-250-4119

**SEE PLATE FOR TITLE**

ORIGINAL BY: 2002 STD.862.02 DATE:  
MODIFIED BY: E.E. WARD DATE: 02-09-03  
CHECKED BY: *[Signature]* DATE: 4-29-04  
FILE SPEC.: /usr/stds/02todetail/eng/ish/86202/862d02.dgn

