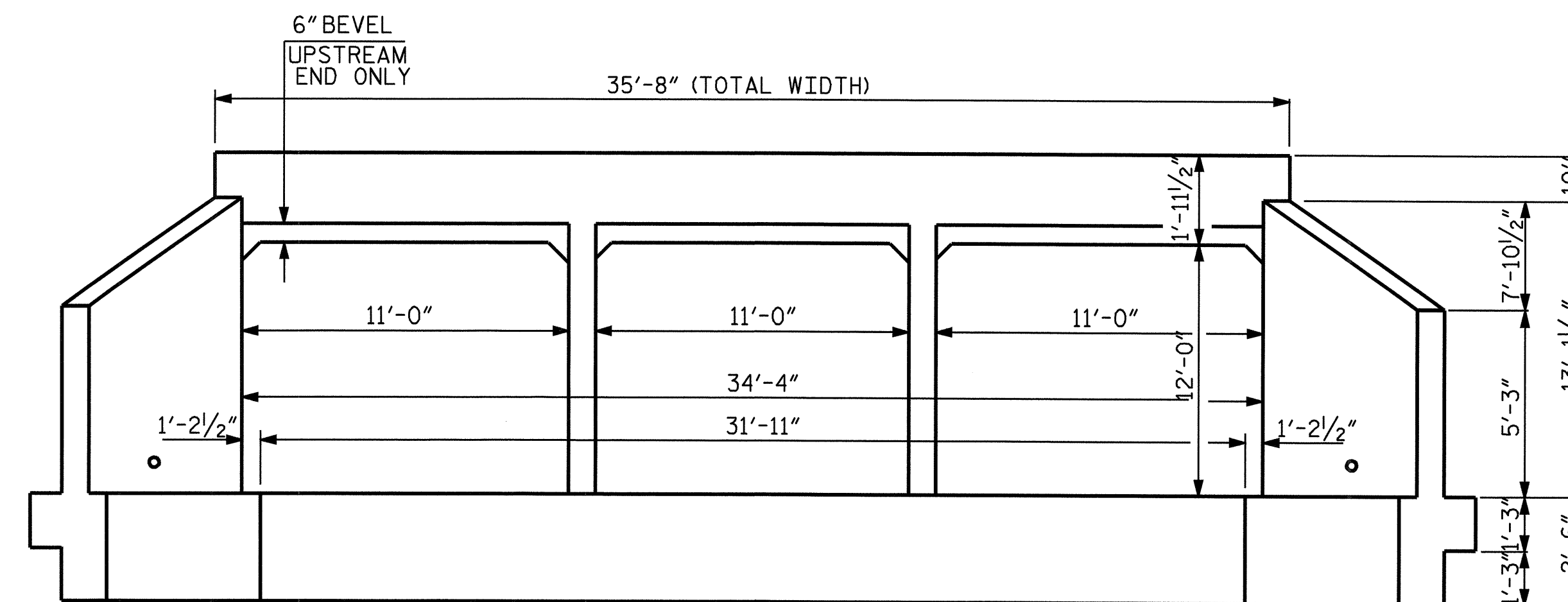
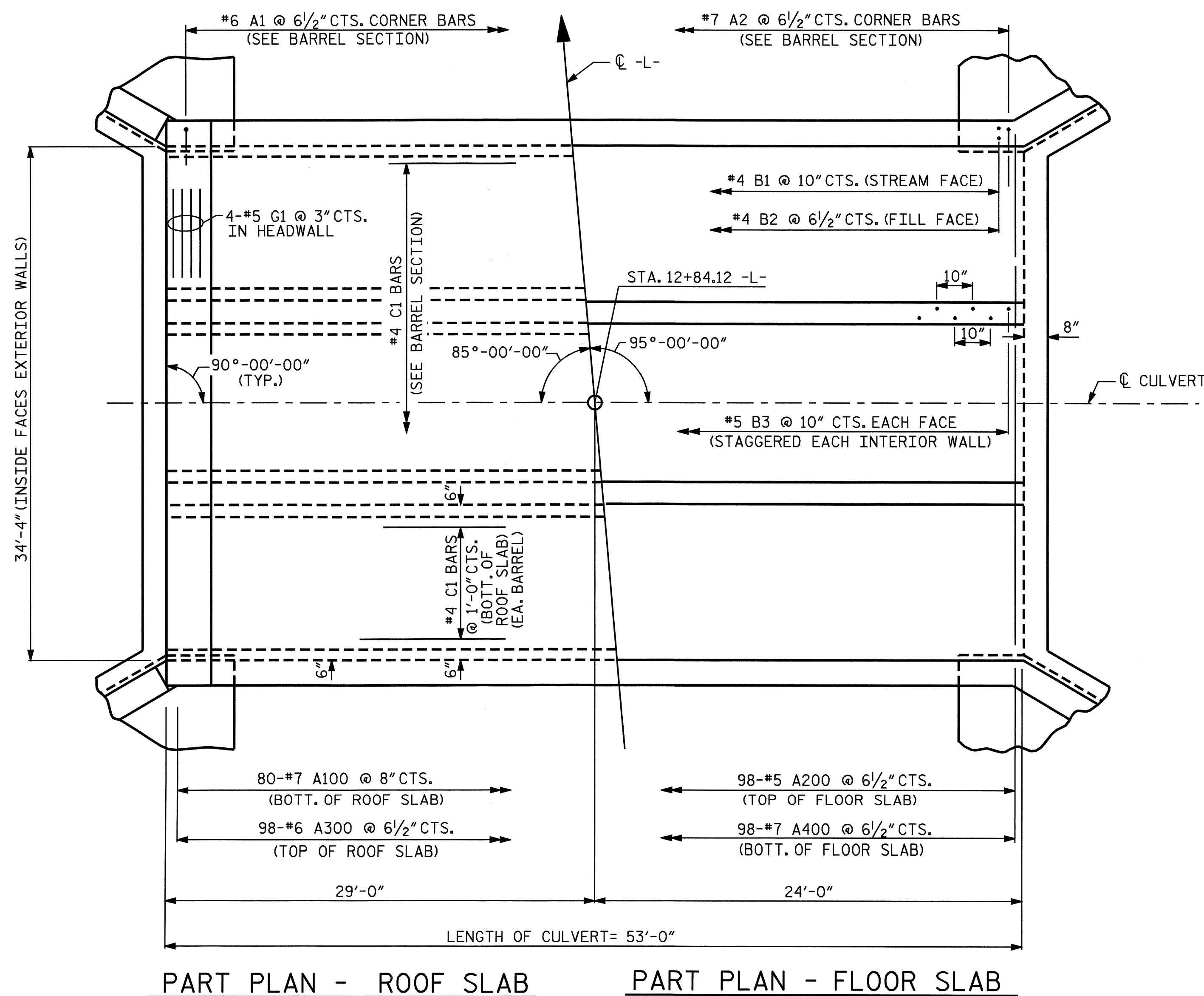


CULVERT SECTION NORMAL TO ROADWAY

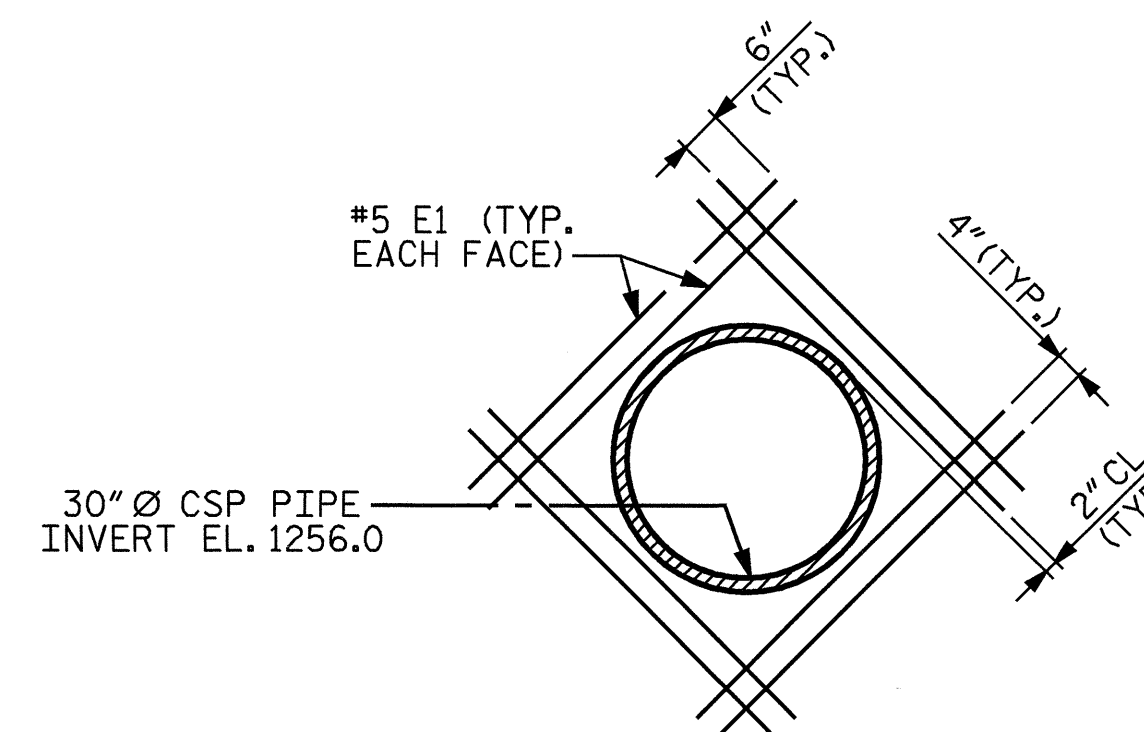


END ELEVATION



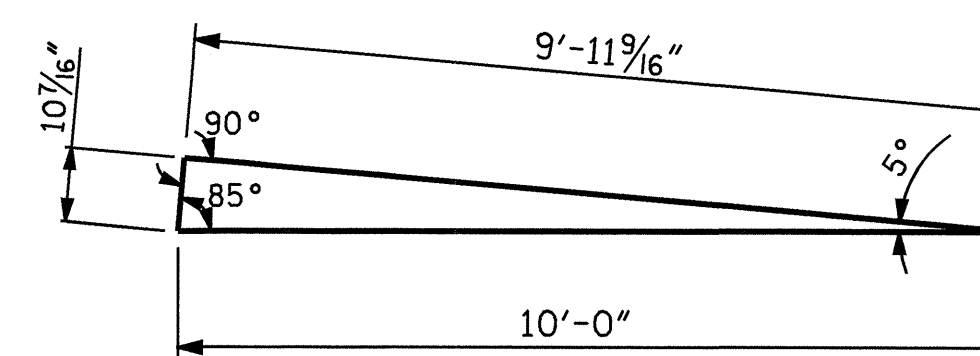
PART PLAN - ROOF SLAB

PART PLAN - FLOOR SLAB



PIPE DETAIL THRU EXTERIOR WALL

THE 30" DIA. CSP PIPE THROUGH THE SIDEWALL OF THE CULVERT SHALL BE LOCATED BY THE ENGINEER. THE REINFORCING STEEL SHALL BE FIELD BENT AS NECESSARY TO CLEAR PIPE.



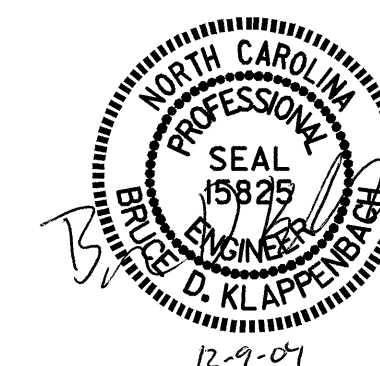
SKEW TRIANGLE

PROJECT NO. B-3783
 McDOWELL COUNTY
 STATION: 12+84.12 -L-

SHEET 2 OF 5

STATE OF NORTH CAROLINA
 DEPARTMENT OF TRANSPORTATION
 RALEIGH

TRIPLE 11 FT. X 12 FT.
 CONCRETE BOX CULVERT
 95° SKEW



DRAWN BY: J.B. WILSON DATE: 9/14/04
 CHECKED BY: D.A. GLADDEN DATE: 10/13/04

08-DEC-2004 09:38
 W:\squad\B3873\mpatterson\Microstation\B-3873_sd.CU.01.dgn
 mpatterson

REVISIONS						SHEET NO.
NO.	BY:	DATE:	NO.	BY:	DATE:	
1			3			C-2
2			4			TOTAL SHEETS 5