

STATE OF  
NORTH CAROLINA  
DEPT. OF TRANSPORTATION  
DIVISION OF HIGHWAYS  
RALEIGH, N.C.

ENGLISH DETAIL DRAWING FOR  
**DROP INLET INSTALLATION IN  
EXPRESSWAY GUTTER**

SHEET 1 OF 1  
**846D02**

STATE OF  
NORTH CAROLINA  
DEPT. OF TRANSPORTATION  
DIVISION OF HIGHWAYS  
RALEIGH, N.C.

ENGLISH DETAIL DRAWING FOR  
**DROP INLET INSTALLATION IN  
EXPRESSWAY GUTTER**

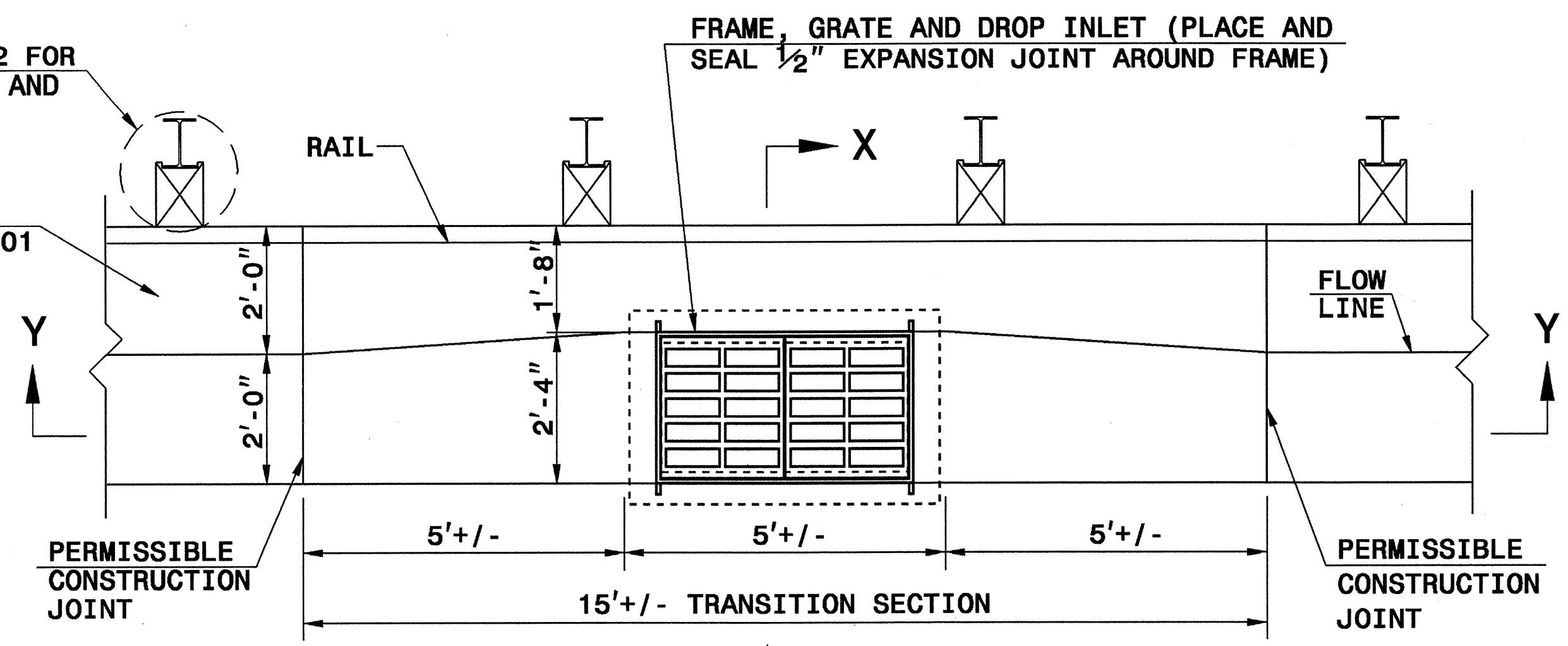
SHEET 1 OF 1  
**846D02**

GENERAL NOTES:  
-PAY FOR TRANSITION SECTION AS  
CONCRETE EXPRESSWAY GUTTER.  
-GUARDRAIL OPTIONAL

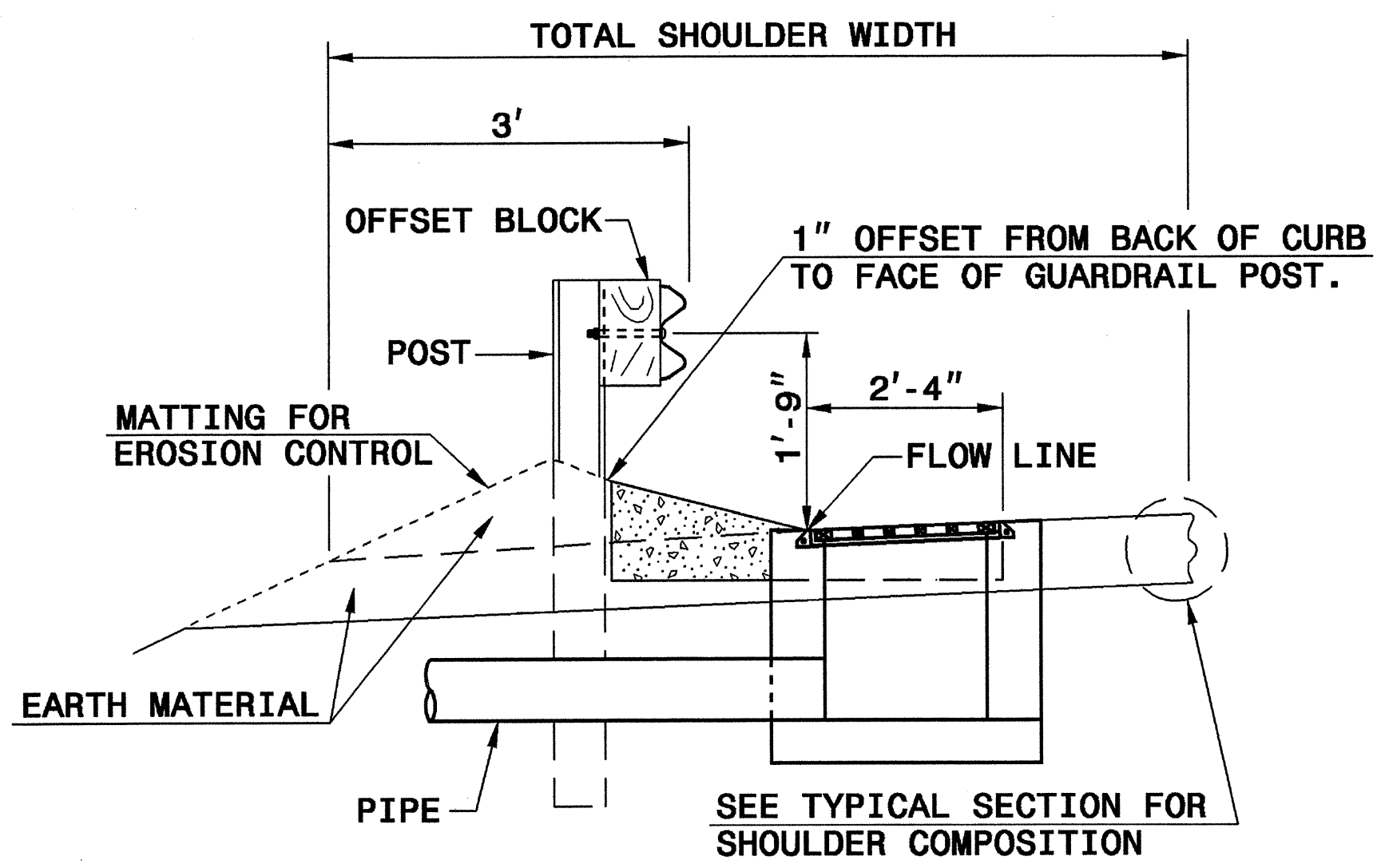
SEE STD. 862D02 FOR  
GUARDRAIL POST AND  
OFFSET BLOCKS

EXPRESSWAY GUTTER  
SEE STANDARD 846.01

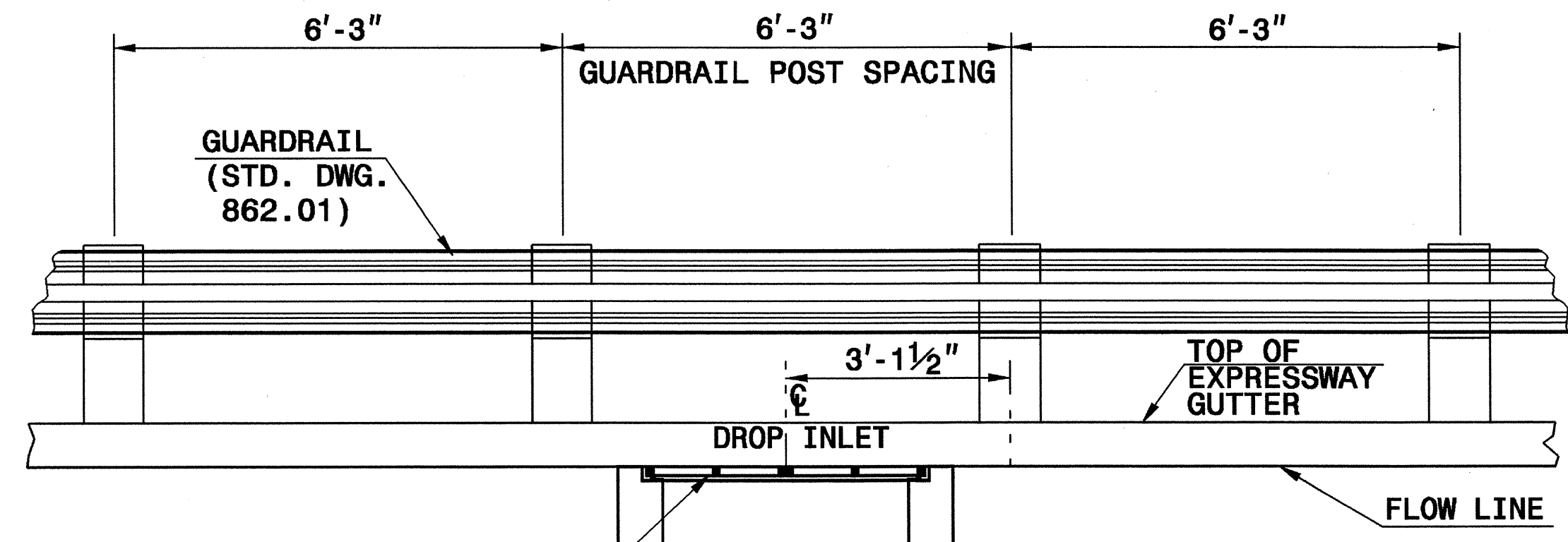
FRAME, GRATE AND DROP INLET (PLACE AND  
SEAL 1/2" EXPANSION JOINT AROUND FRAME)



PLAN



SECTION X-X



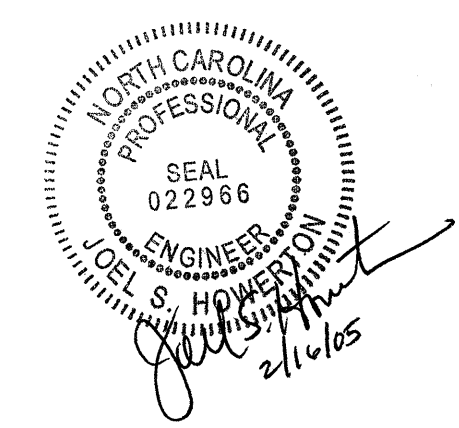
SECTION Y-Y

SEE STD.'S 840.20, 840.29 AND  
840.37 FOR FRAME AND GRATE AS  
INDICATED BY THE ROADWAY PLANS.

SEE STD.'S 840.17, 840.18, 840.19,  
840.26, 840.27, 840.28, 840.35 AND  
840.36 FOR DROP INLETS AS INDICATED  
BY THE ROADWAY PLANS. BUILD DROP  
INLETS WITHOUT APRON.

**DROP INLET INSTALLATION IN EXPRESSWAY GUTTER**

5/14/99  
 I3-APR-2004, 08:36  
 M:\Special Details\ercward\stds\02\stds to Special Details\english\846d02\0846d02.dgn  
 ercward AT 05212260



DESIGN SERVICES UNIT  
STANDARDS AND SPECIAL DESIGN  
Office 919-250-4128 FAX 919-250-4119

**SEE PLATE FOR TITLE**

ORIGINAL BY: 2002 STANDARDS DATE: 01-15-02  
 MODIFIED BY: E.E. WARD DATE: 04-07-04  
 CHECKED BY: DATE:  
 FILE SPEC.: stds/02stdstodetails/english/846d02.dgn