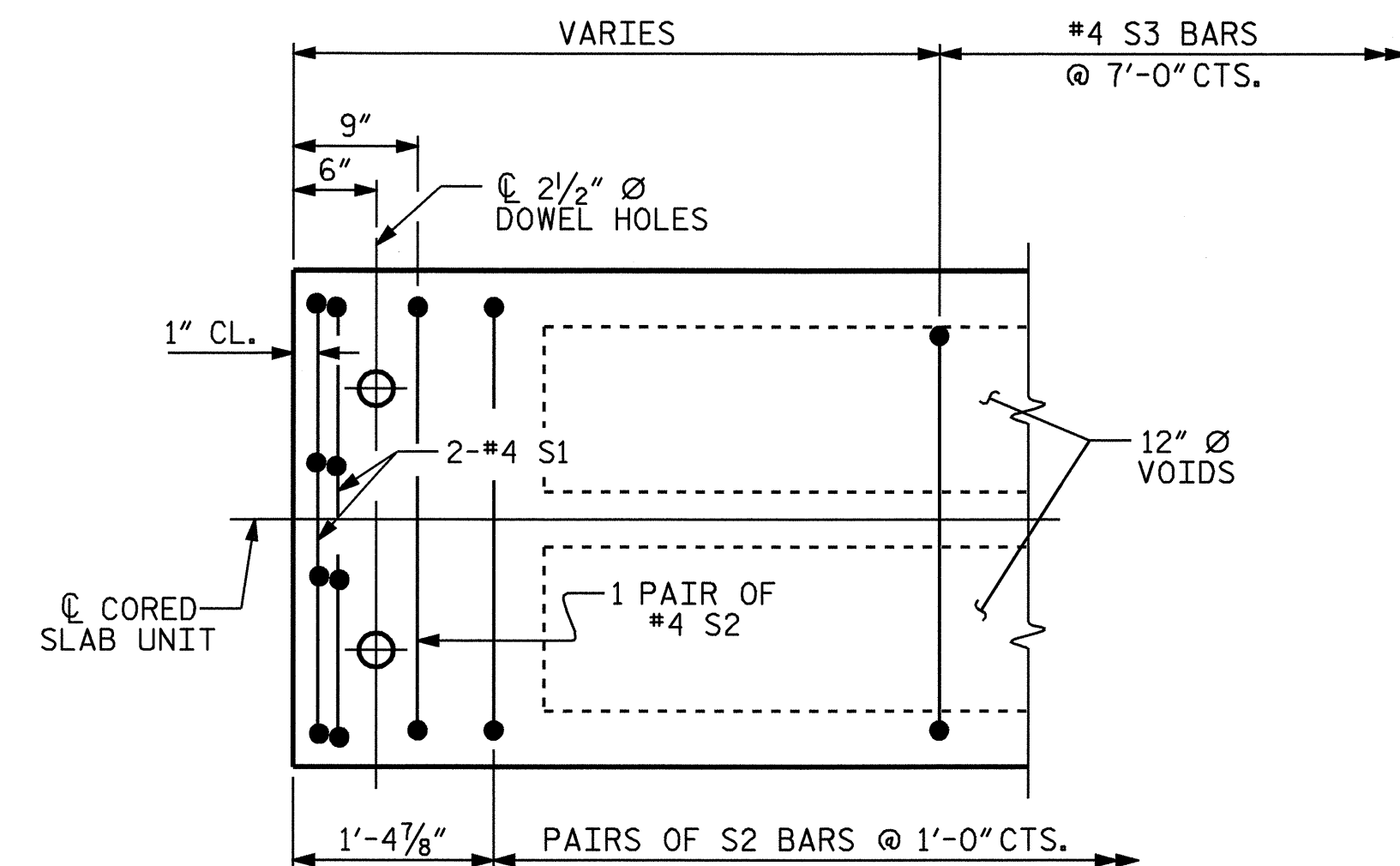


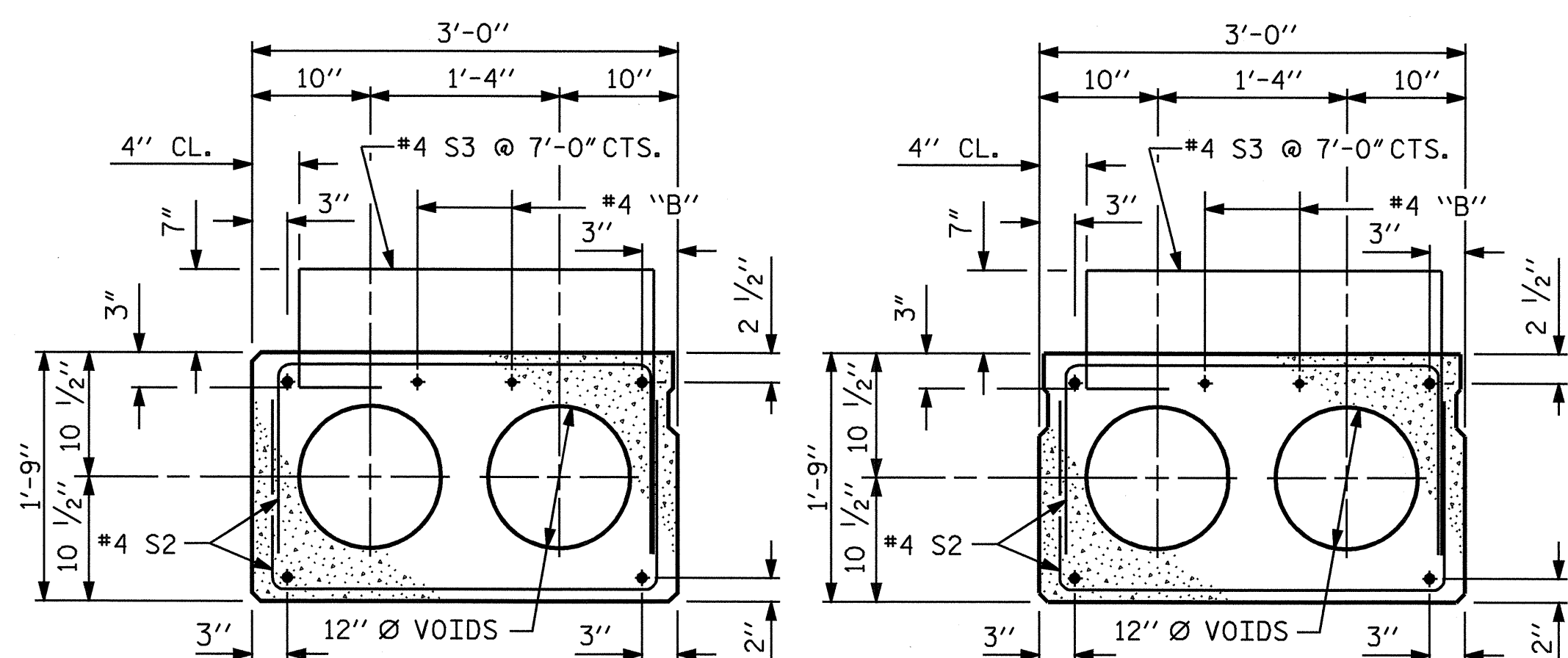
TYPICAL SECTION



PART PLAN-EXTERIOR AND INTERIOR (SIDEWALK) SECTION

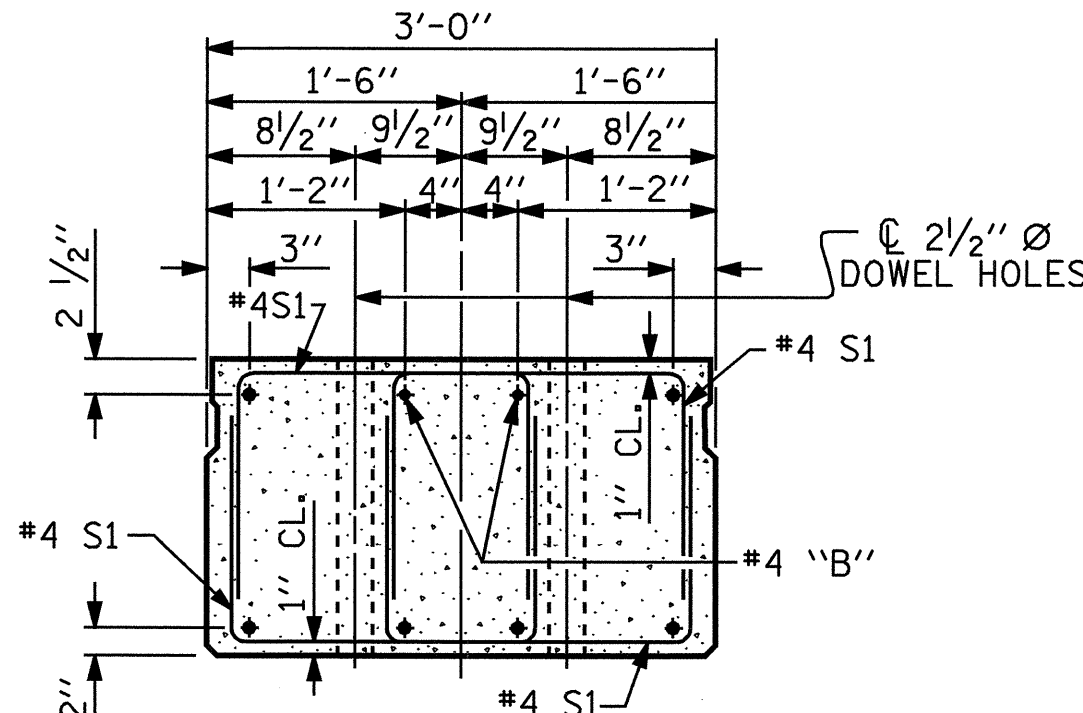
EXTERIOR AND INTERIOR SECTION (SIDEWALK) SHOWN - INTERIOR SECTION SIMILAR EXCEPT OMIT S3 BARS. SEE PLAN OF SPANS FOR END SPACING.

NOTE: THE TOP SURFACE OF ALL THE CORED SLAB UNITS SHALL HAVE A 3/8" RAKED FINISH.



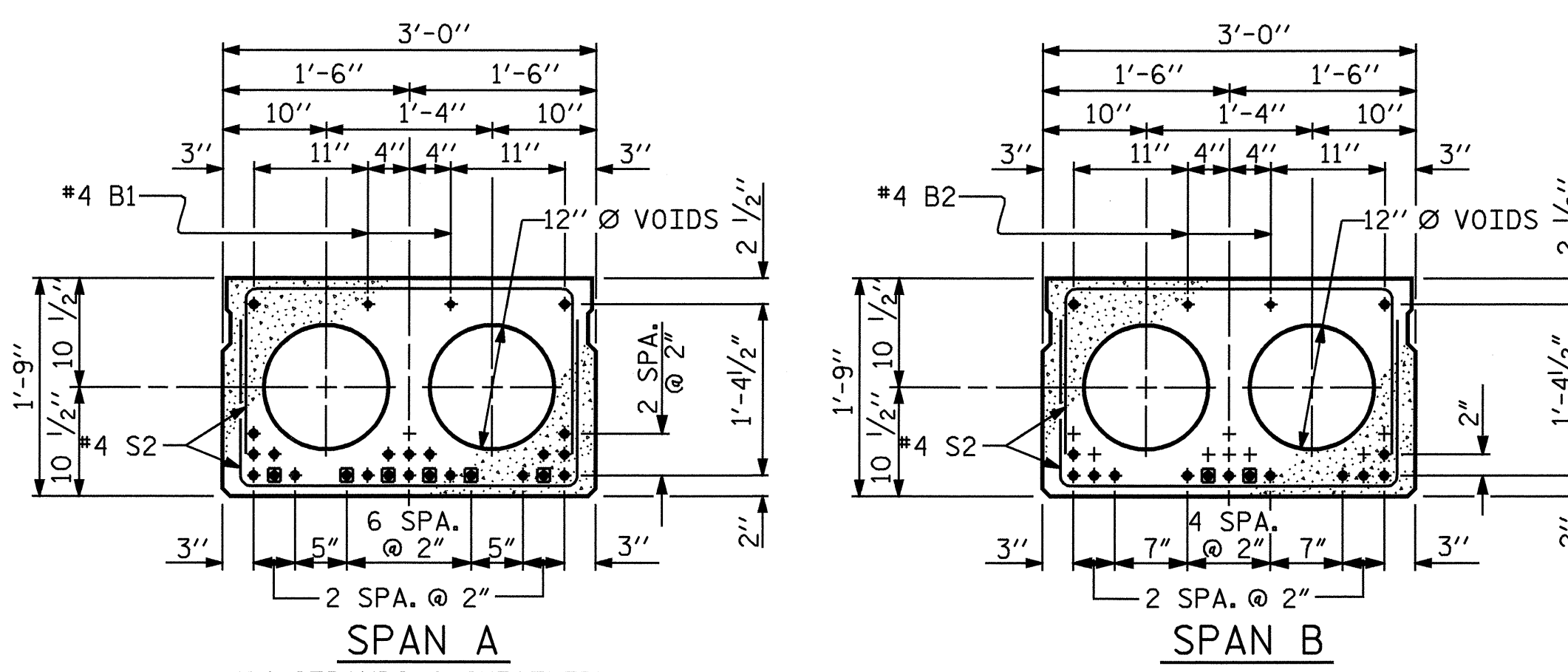
EXTERIOR SLAB -SIDEWALK SECTION-
(FOR PRESTRESSED STRAND LAYOUT, SEE INTERIOR SLAB SECTION.)

INTERIOR SLAB -SIDEWALK SECTION-
(FOR PRESTRESSED STRAND LAYOUT, SEE INTERIOR SLAB SECTION.)



END ELEVATION

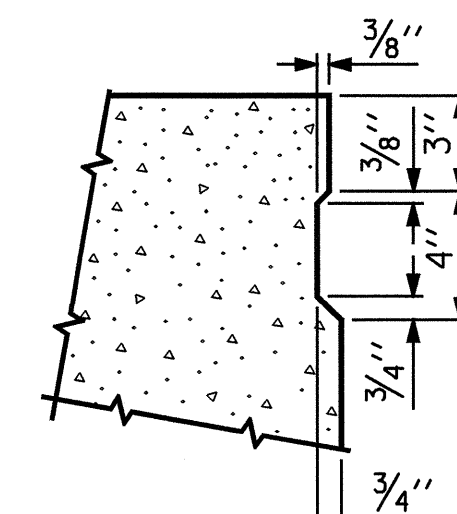
SHOWING PLACEMENT OF DOUBLE STIRRUPS AND LOCATION OF DOWEL HOLES. (STRAND LAYOUT NOT SHOWN.) INTERIOR SLAB SECTION SHOWN-EXTERIOR SLAB SECTION SIMILAR EXCEPT SHEAR KEY LOCATION.



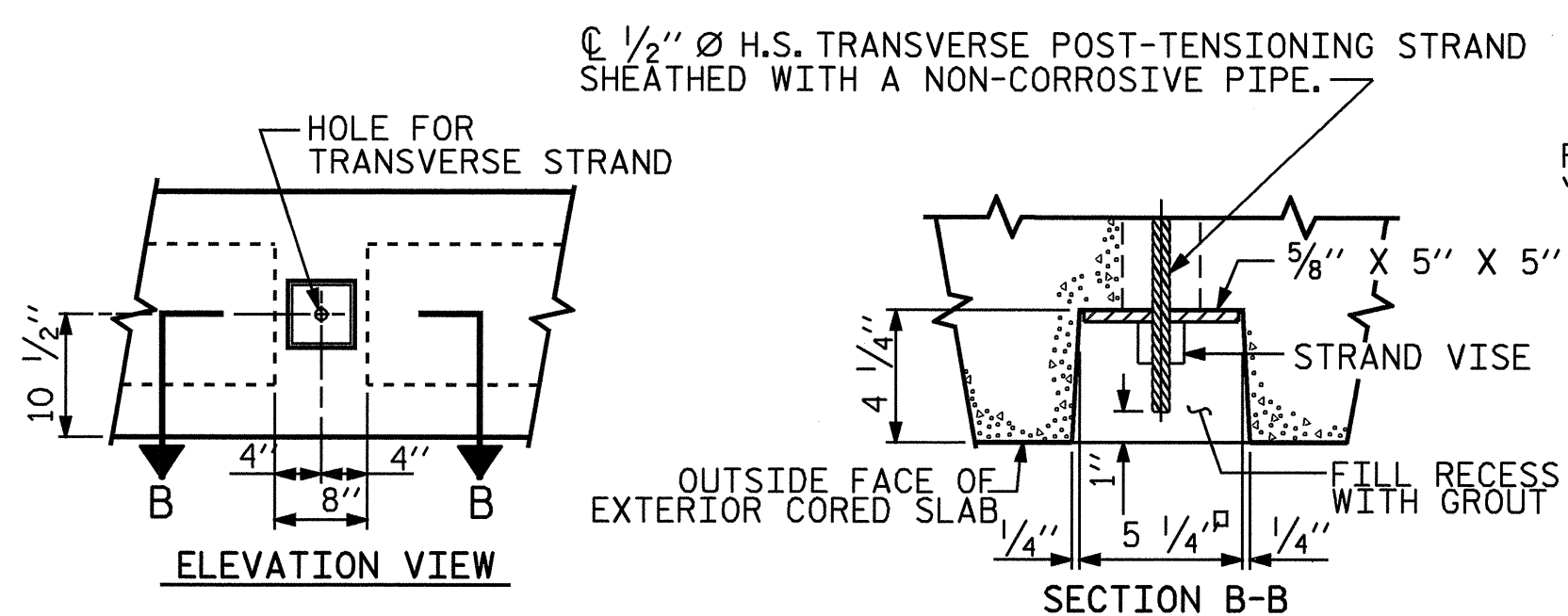
INTERIOR SLAB SECTION

1/2" Ø LOW RELAXATION STRAND LAYOUT

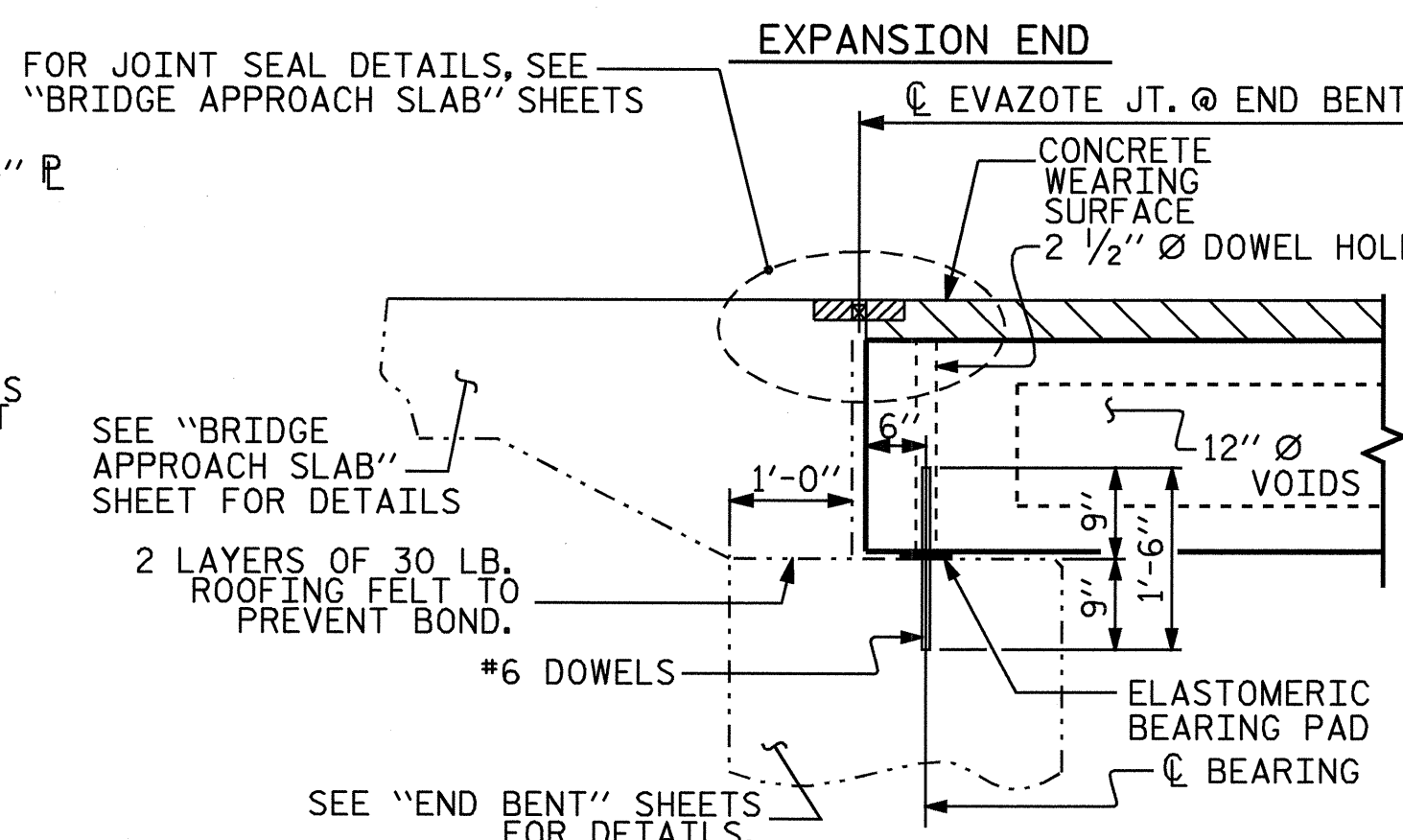
⊗ BOND SHALL BE BROKEN ON THESE STRANDS FOR A DISTANCE OF 4'-9" (SPAN A) & 4'-0" (SPAN B) FROM THE END OF CORED SLAB UNIT, SEE STANDARD SPECIFICATIONS ARTICLE 1078-7.



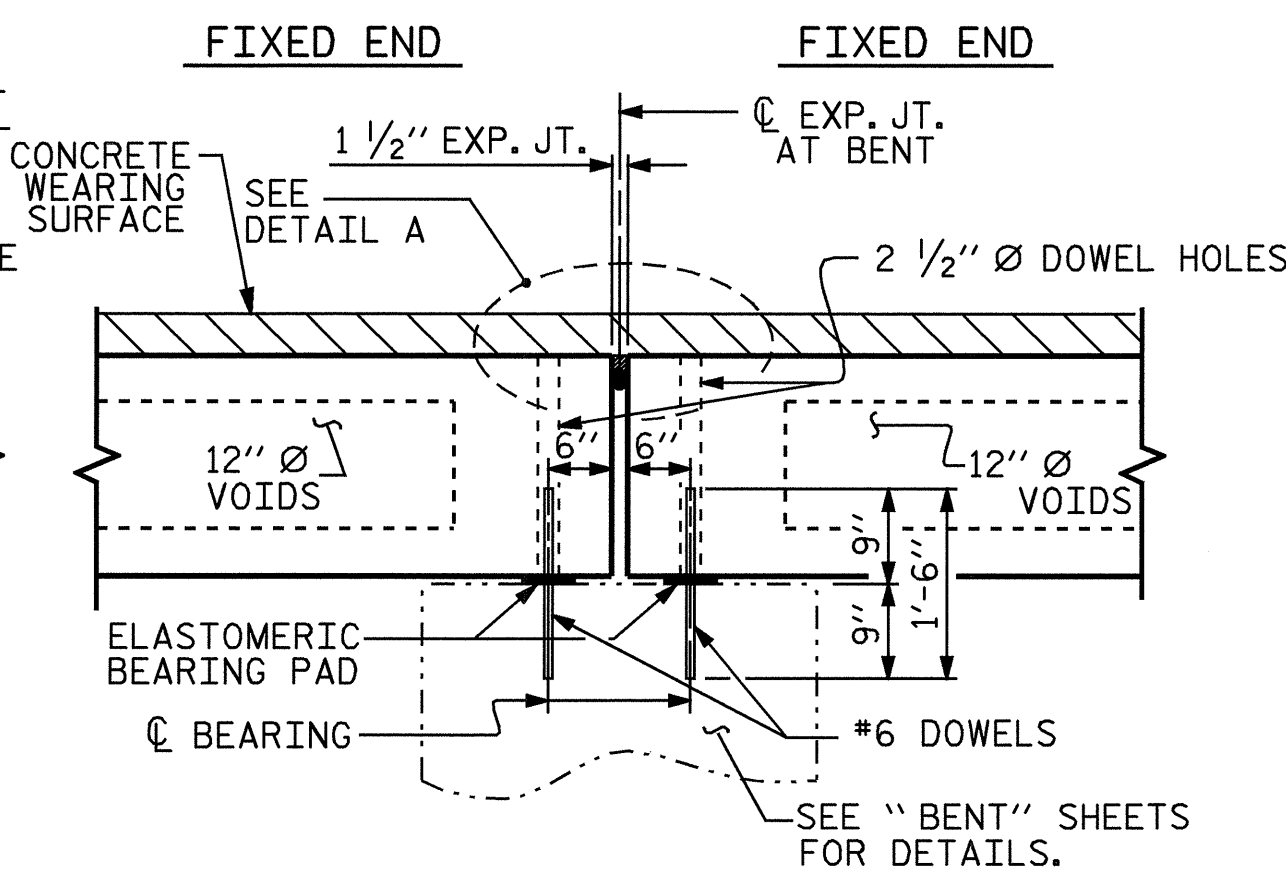
SHEAR KEY DETAIL
NOTE: OMIT SHEAR KEY ON OUTSIDE FACE OF EXTERIOR CORED SLABS.



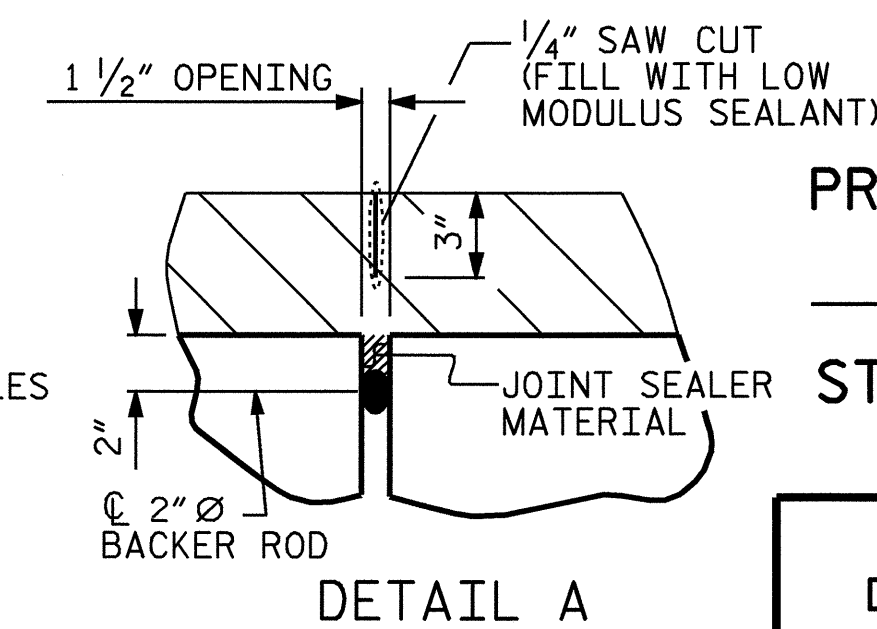
GROUTED RECESS AT END OF POST-TENSIONED STRAND CORED SLABS



SECTION AT END BENT



SECTION AT BENT



DETAIL A

PROJECT NO. **B-3450**
DURHAM COUNTY
STATION: **14+31.00 -L-**

STATE OF NORTH CAROLINA DEPARTMENT OF TRANSPORTATION RALEIGH					
STANDARD 3'-0" X 1'-9" PRESTRESSED CONCRETE CORED SLAB UNIT					
OCTOBER 1981					
REVISIONS					
NO.	BY:	DATE:	NO.	BY:	DATE:
1			3		
2			4		
					SHEET NO. S-4 TOTAL SHEETS 52

ASSEMBLED BY : A.L.MEADOWS	DATE : 9/06/02
CHECKED BY : T.A.HARRIS	DATE : 9/24/02
DRAWN BY : WJH 4/89	REV. 8/16/99 RWW/LES
CHECKED BY : FCJ 5/89	REV. 10/17/00 RWW/LES
	REV. 7/10/01RR RWW/LES

28-FEB-2005 12:38
W:\sqd\qb3450\taharris\lforstation\STR.1\B3450.sd.TS.01.dgn
TAHarris

