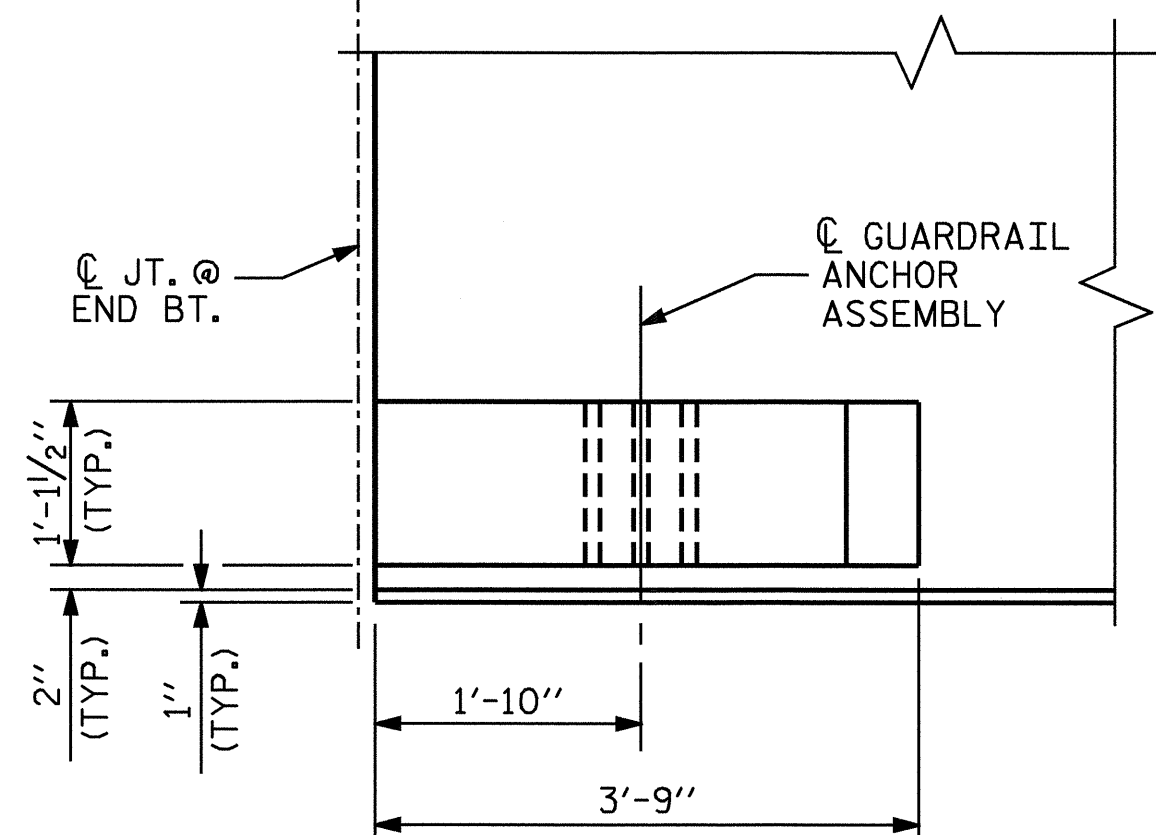


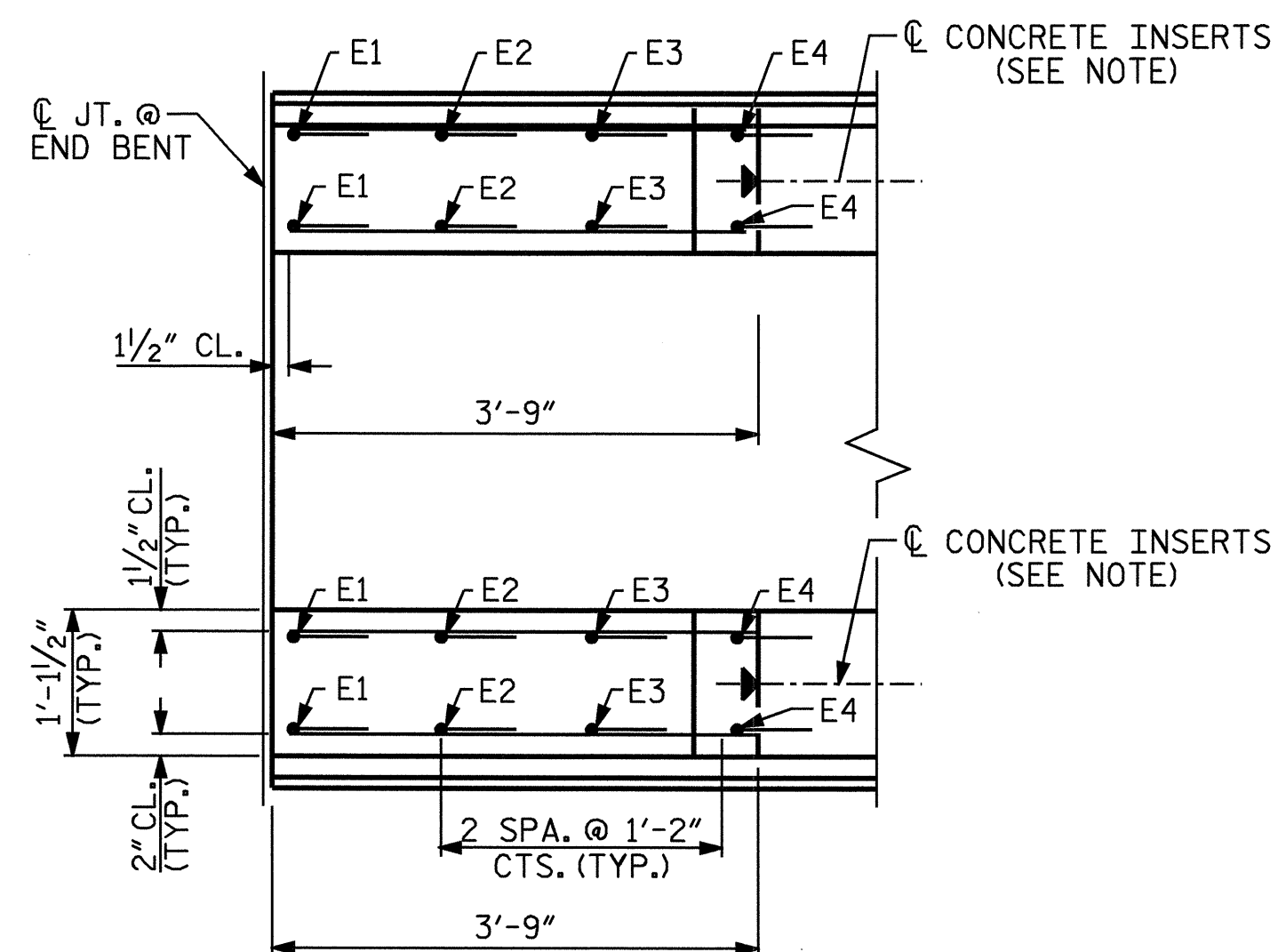
ELEVATION



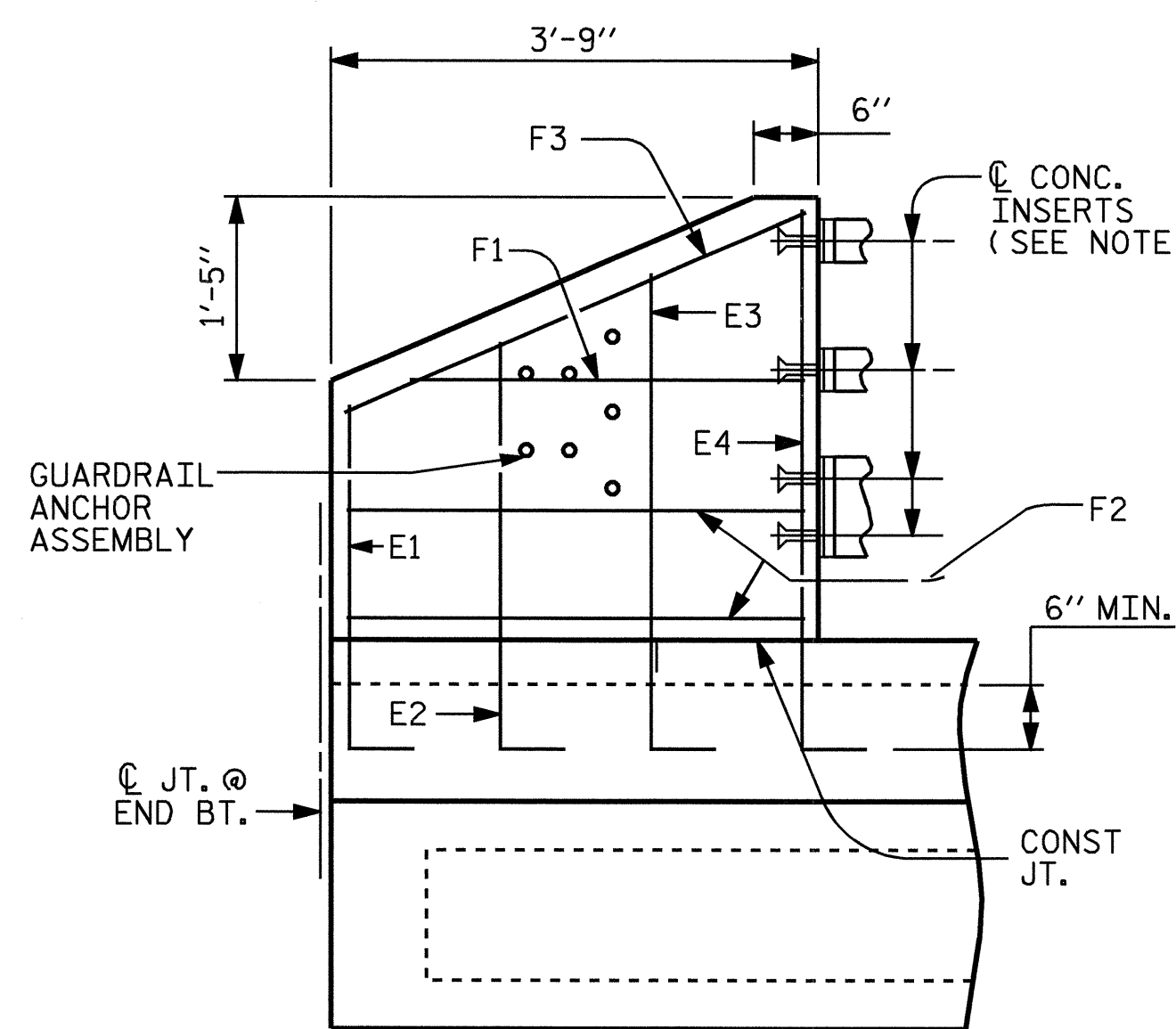
PLAN

GUARDRAIL ANCHOR DETAIL

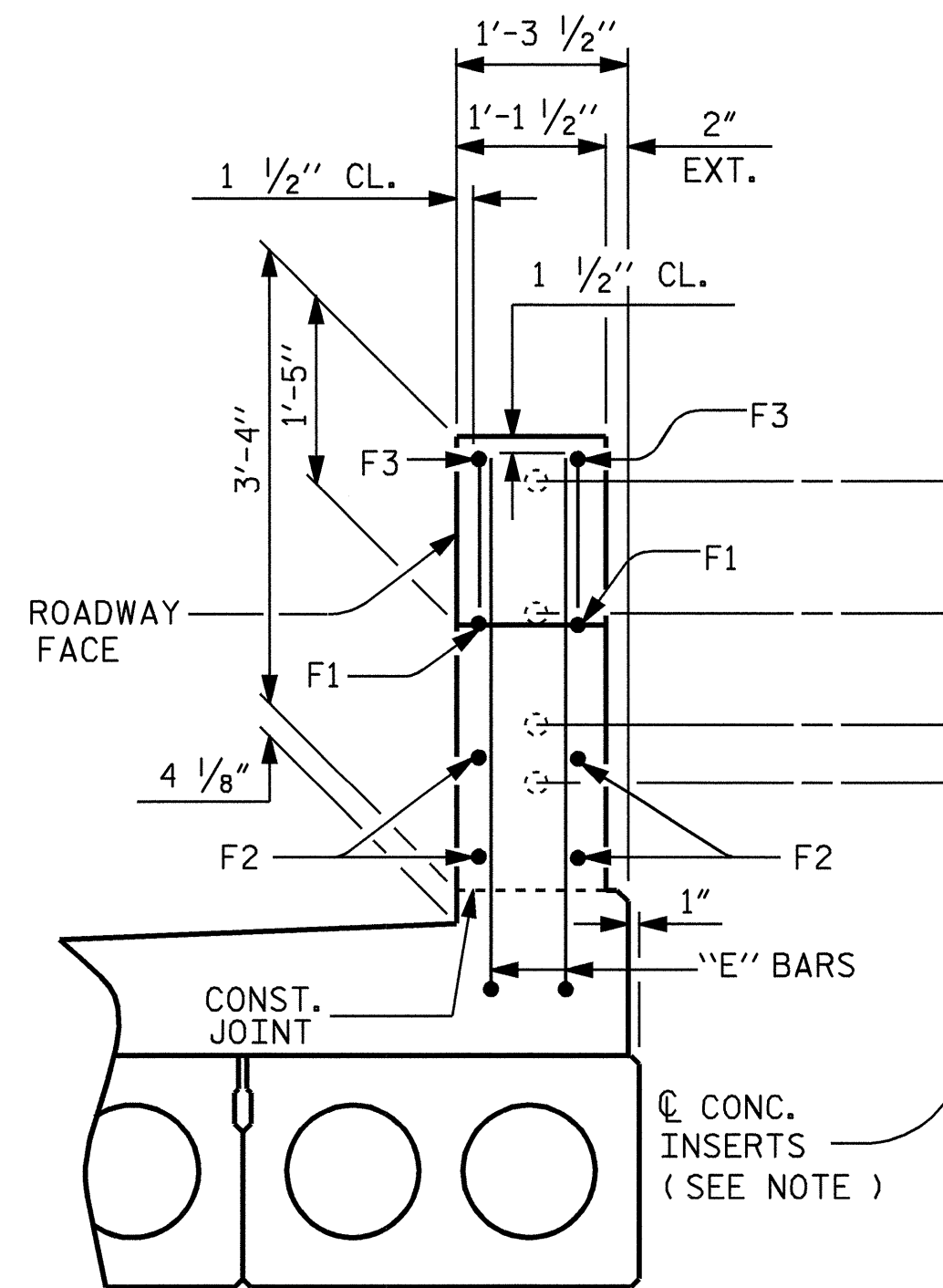
FOR REINFORCEMENT OF END POST, SEE "END POST DETAILS"



PLAN

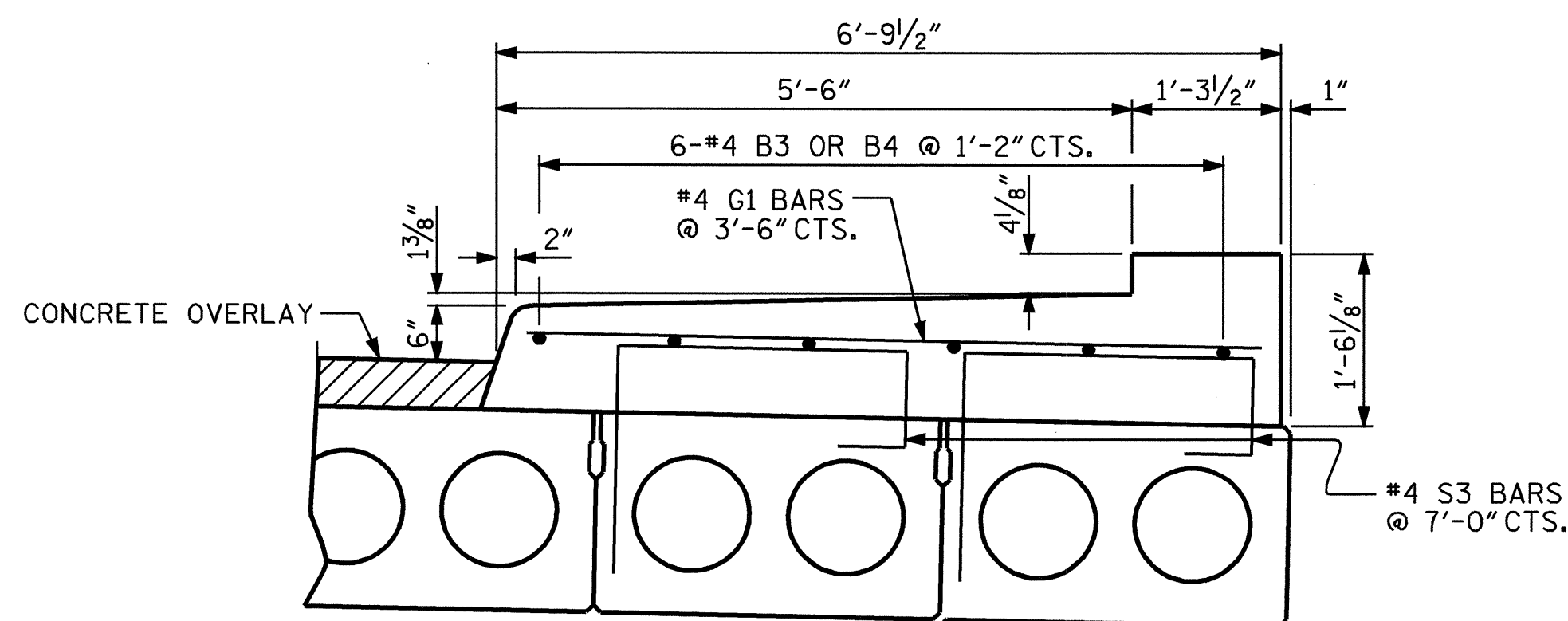


ELEVATION



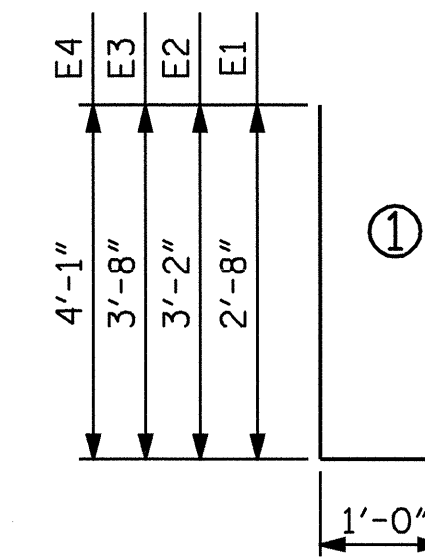
END VIEW

END POST DETAILS



SECTION THRU SIDEWALK

BAR TYPE



BAR DIMENSIONS ARE OUT TO OUT

SPLICE LENGTH CHART

BAR	SIZE	LENGTH
B3, B4	4	2'-0"

BILL OF MATERIAL FOR 4 END POSTS AND SIDEWALK

BAR	NO.	SIZE	TYPE	LENGTH	WEIGHT
B3	24	4	STR	25'-3"	405
B4	24	4	STR	20'-3"	325
E1	8	7	1	3'-8"	60
E2	8	7	1	4'-2"	68
E3	8	7	1	4'-8"	76
E4	8	7	1	5'-1"	83
F1	8	6	STR	2'-7"	31
F2	16	6	STR	3'-5"	82
F3	8	6	STR	3'-8"	44
G1	50	4	STR	6'-3"	209

EPOXY COATED REINFORCING STEEL 1383 LBS.
CLASS AA CONCRETE 50.9 CU.YDS.

NOTES :

FOR METAL RAILS AND GUARDRAIL ANCHOR ASSEMBLIES, SEE "GUARDRAIL ANCHORAGE DETAILS" SHEET 6 OF 6.

FOR DETAILS OF CONCRETE INSERTS, SEE "3 BAR METAL RAIL" SHEET 5 OF 6.

ALL REINFORCING STEEL IN SIDEWALK AND END POST SHALL BE EPOXY COATED.

GROOVED CONTRACTION JOINTS, 1/2" IN DEPTH, SHALL BE TOOLED IN ALL EXPOSED FACES OF THE SIDEWALK IN ACCORDANCE WITH ARTICLE 825-10 (B) OF THE STANDARD SPECIFICATIONS. THE CONTRACTION JOINTS SHALL BE LOCATED AT A SPACING OF 8 FT. TO 10 FT. BETWEEN EXPANSION JOINTS. NO CONTRACTION JOINTS WILL BE REQUIRED FOR SEGMENTS LESS THAN 10 FEET IN LENGTH.



Douglas R. Calvert
3-1-05

PROJECT NO. B-3450
DURHAM COUNTY
STATION: 14+31.00 -L-

SHEET 1 OF 6

STATE OF NORTH CAROLINA
DEPARTMENT OF TRANSPORTATION
RALEIGH
**3 BAR METAL RAIL
END POST & SIDEWALK
DETAILS**

REVISIONS						SHEET NO.
NO.	BY:	DATE:	NO.	BY:	DATE:	S-8
1			3			TOTAL SHEETS
2			4			53

DRAWN BY : A.L.MEADOWS DATE : 8/22/02
CHECKED BY : T.A.HARRIS DATE : 9/25/02

28-FEB-2005 12:38
W:\sq\gob\3450\taharris\l\orostation\STR.1\B3450.ed.3MR.01.dgn
TAHarris