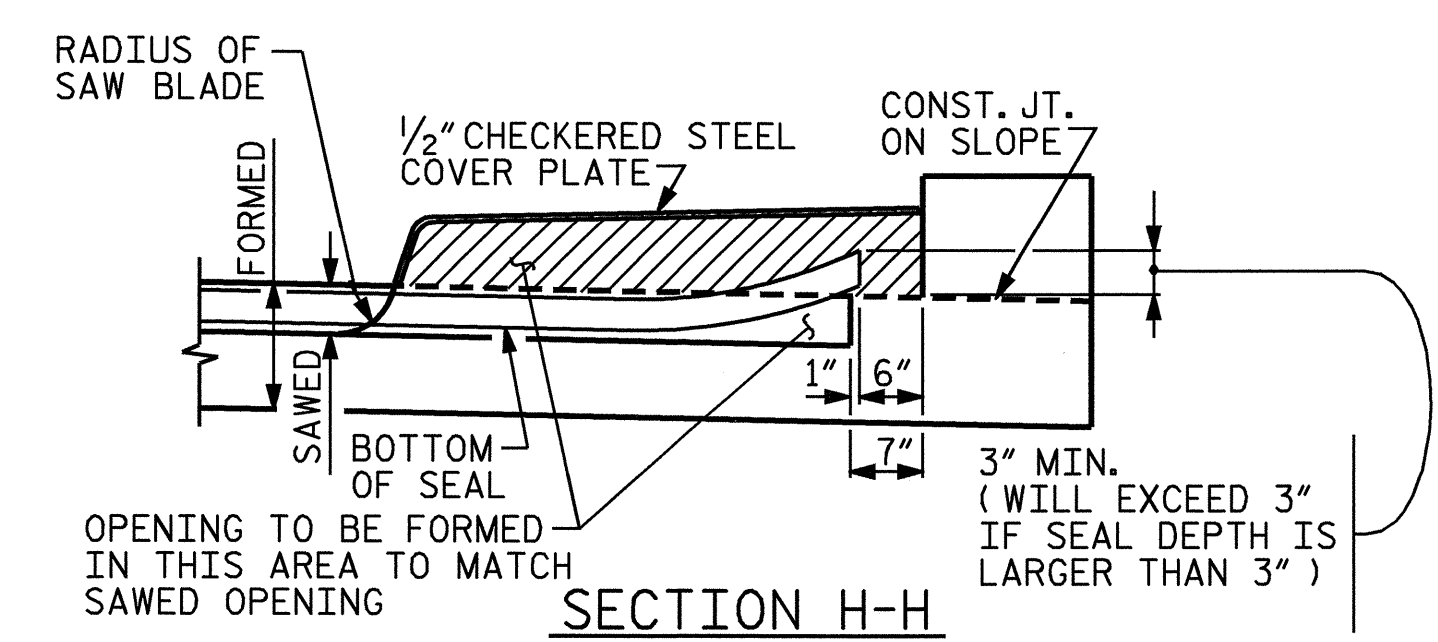
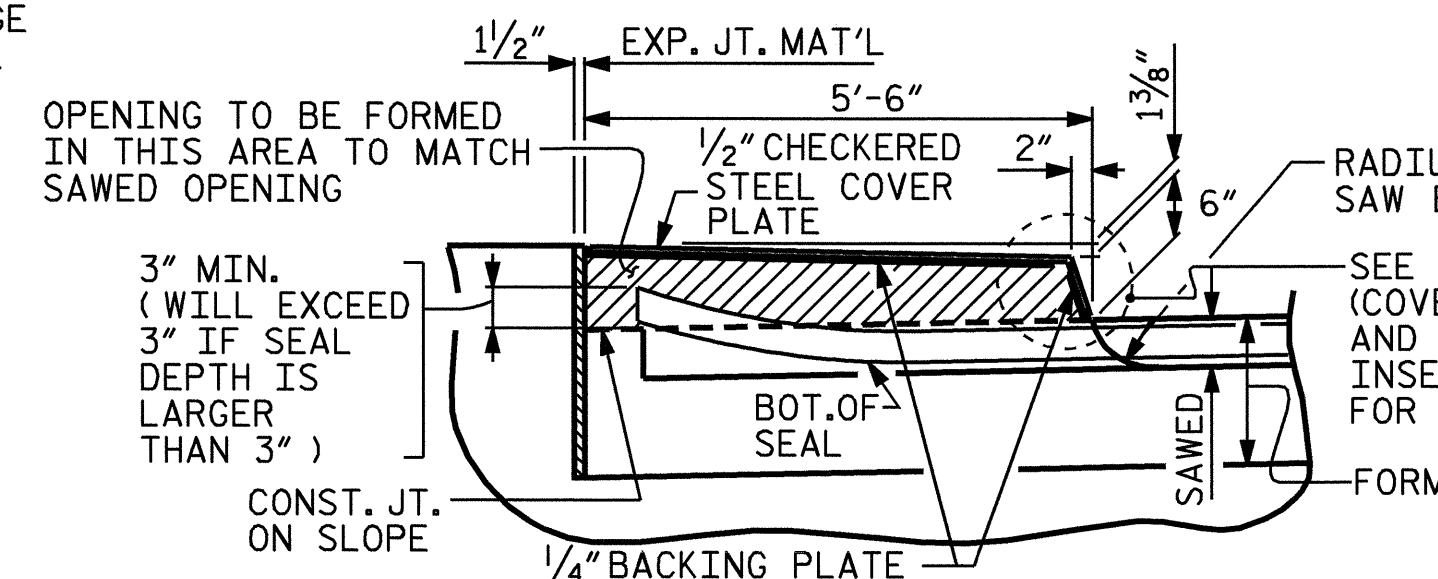


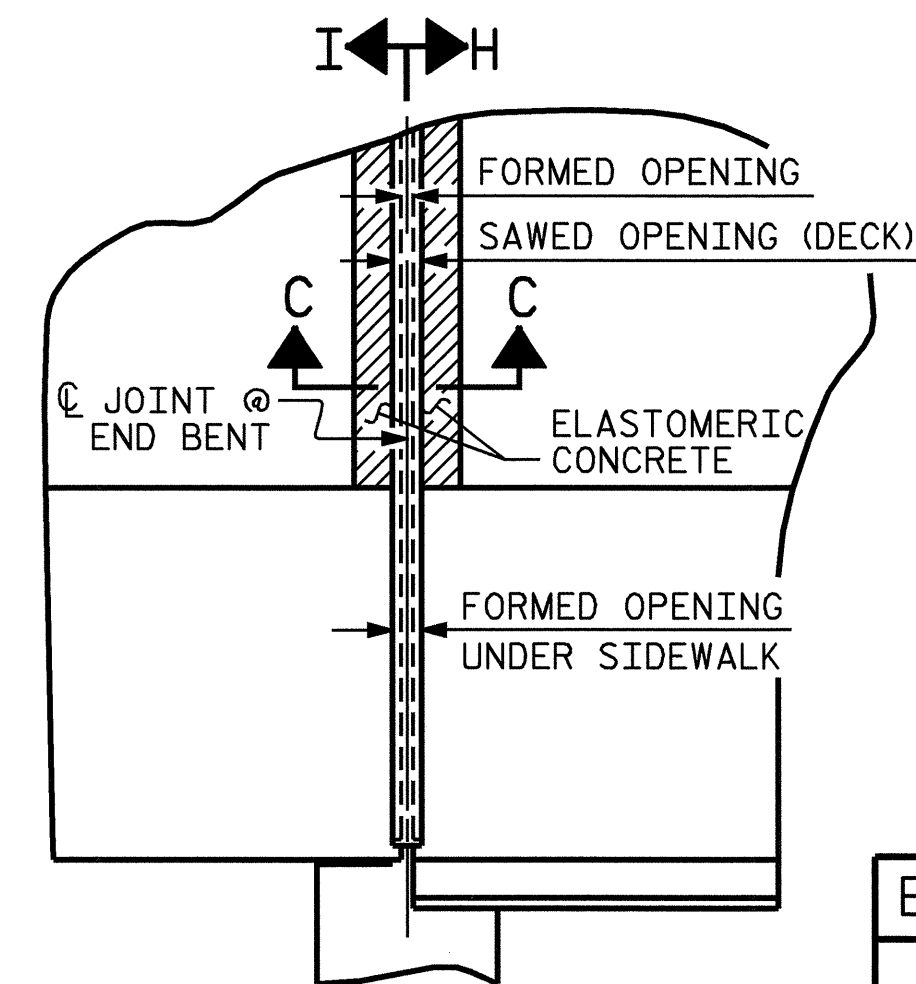
PLAN OF EVAZOTE JOINT SEAL WITH COVER



SECTION H-H



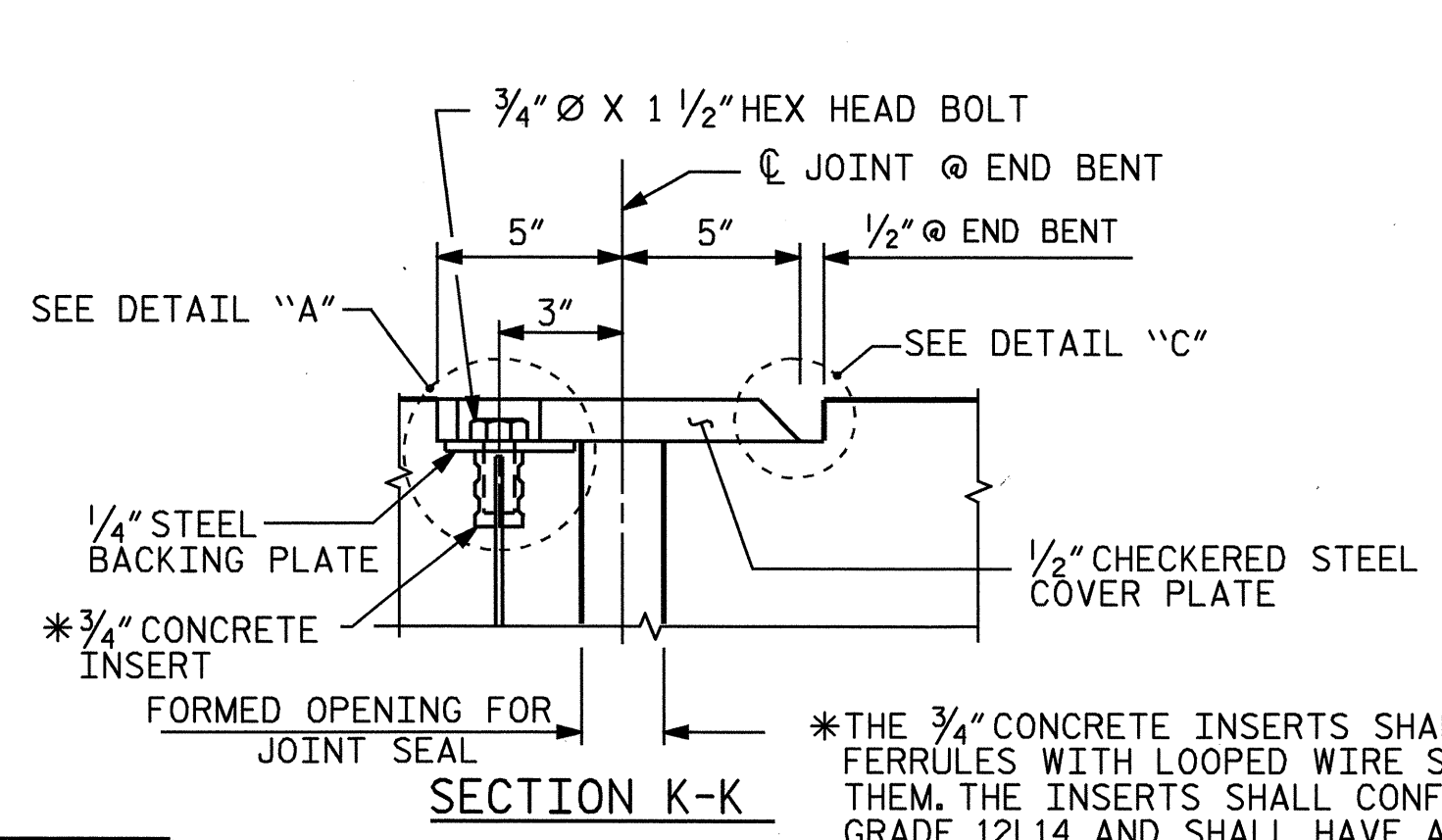
SECTION I-I



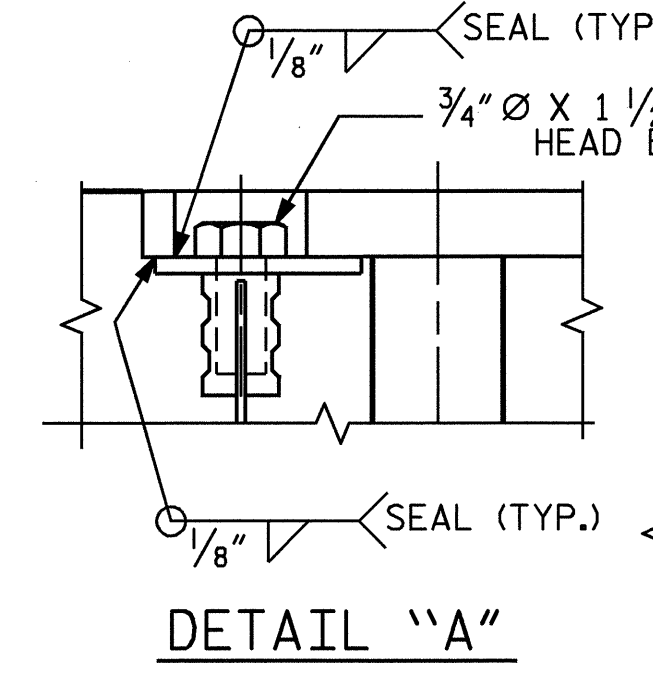
PLAN

ELASTOMERIC CONCRETE	
END BENT NO.	ELASTOMERIC CONCRETE (CU. FT.)
1	7.9
2	7.9
TOTAL	

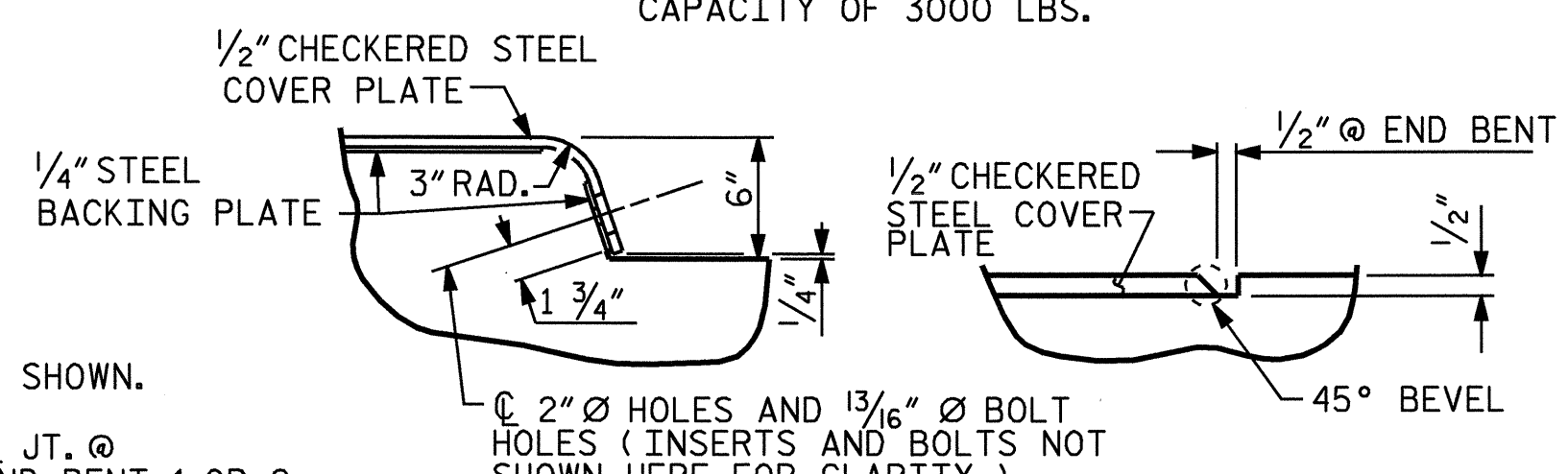
** BASED ON THE MINIMUM BLOCKOUT SHOWN.



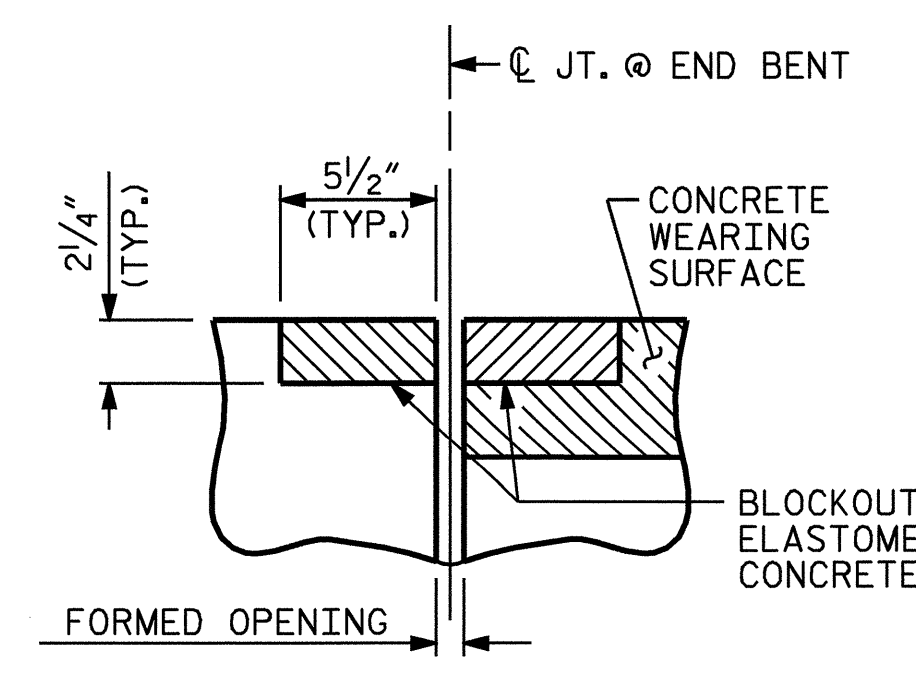
SECTION K-K



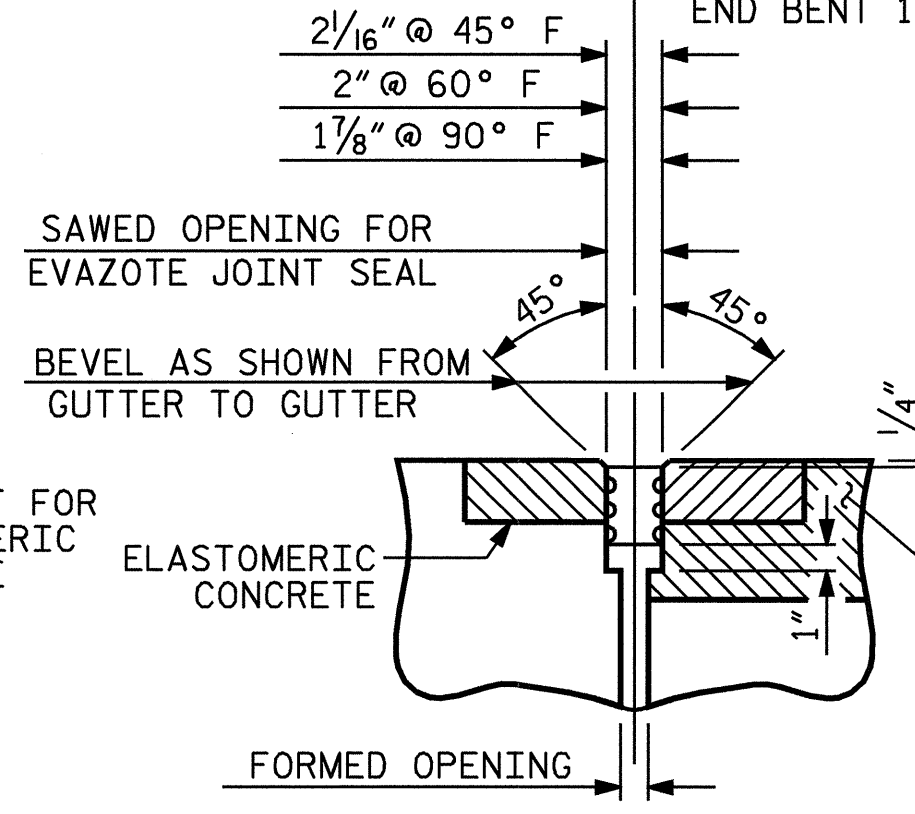
DETAIL "A"



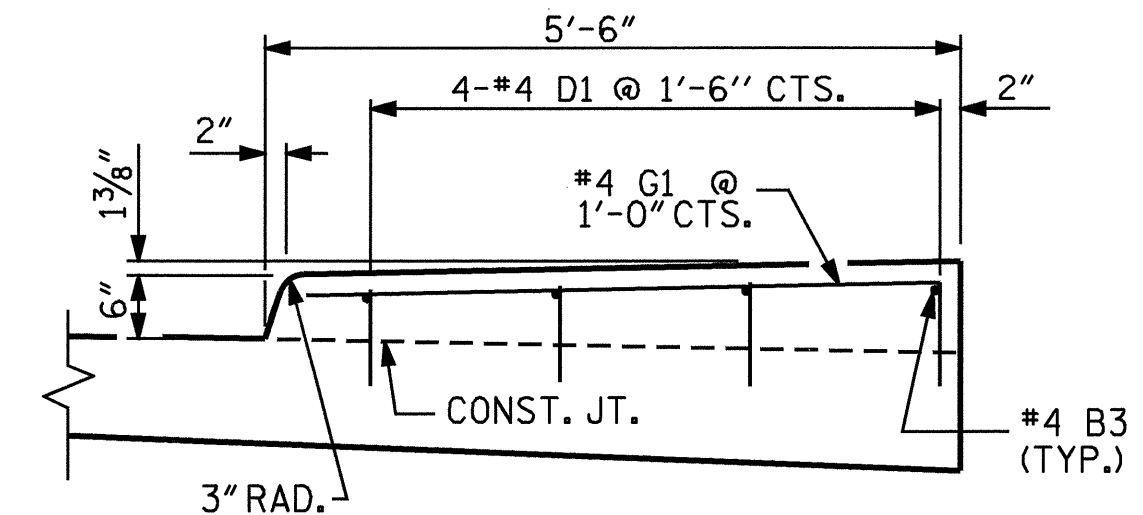
DETAIL "B" and "C" JOINT SEAL DETAILS @ END BENT (FOR SIDEWALK)



SECTION C-C EVAZOTE JOINT SEAL (PRE-SAWED ELASTOMERIC CONCRETE DIMENSIONS)

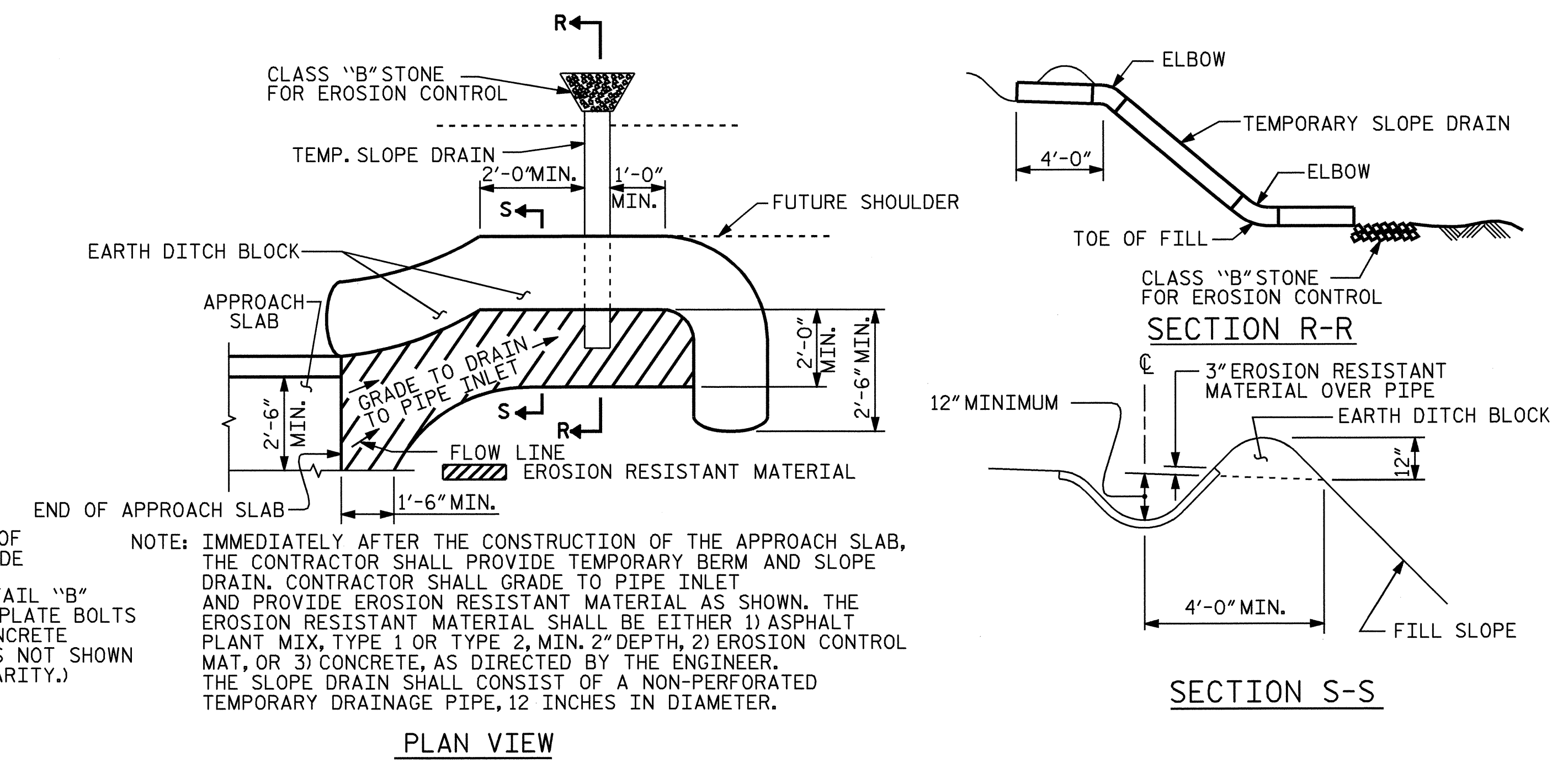


SECTION C-C EVAZOTE JOINT SEAL



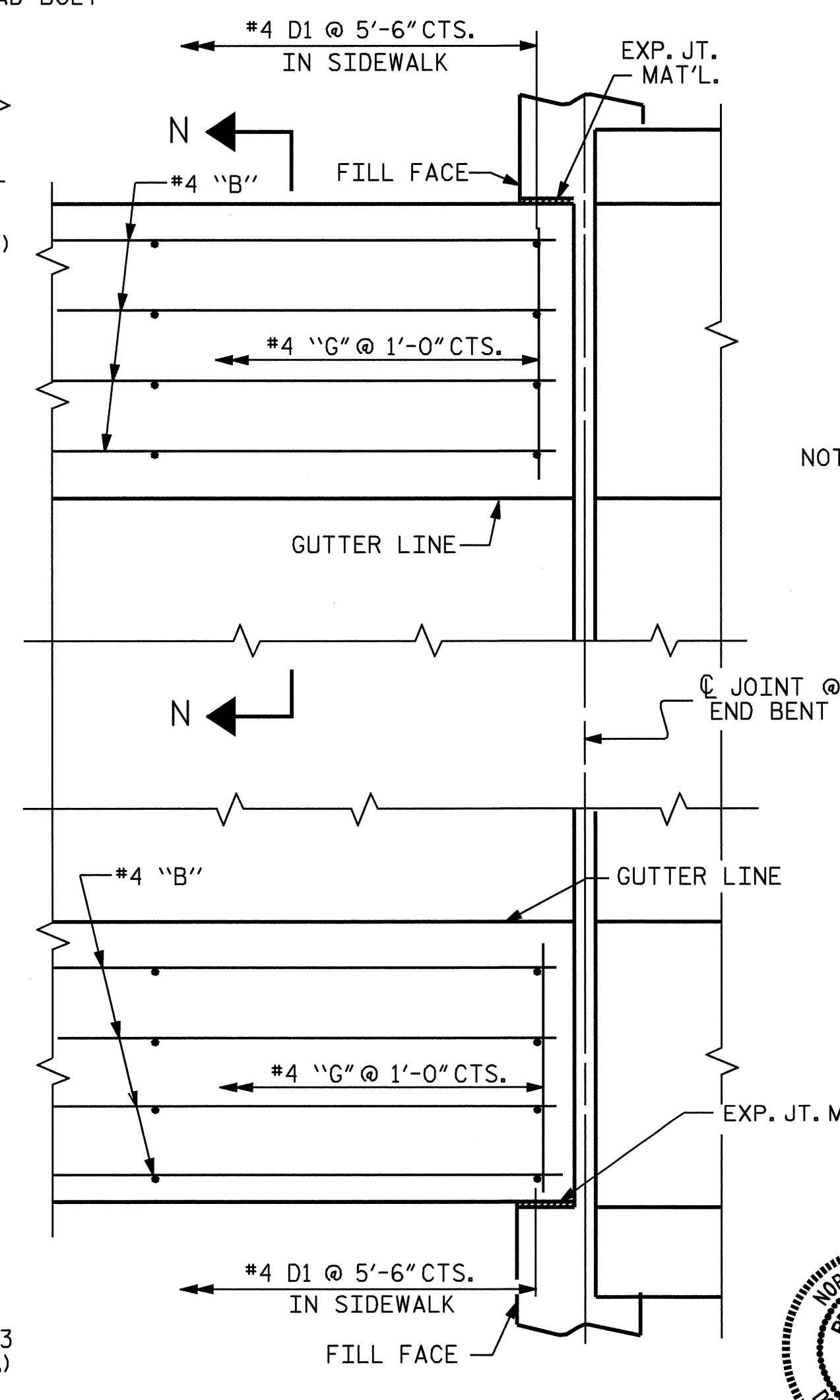
SECTION N-N

SIDEWALK DETAILS

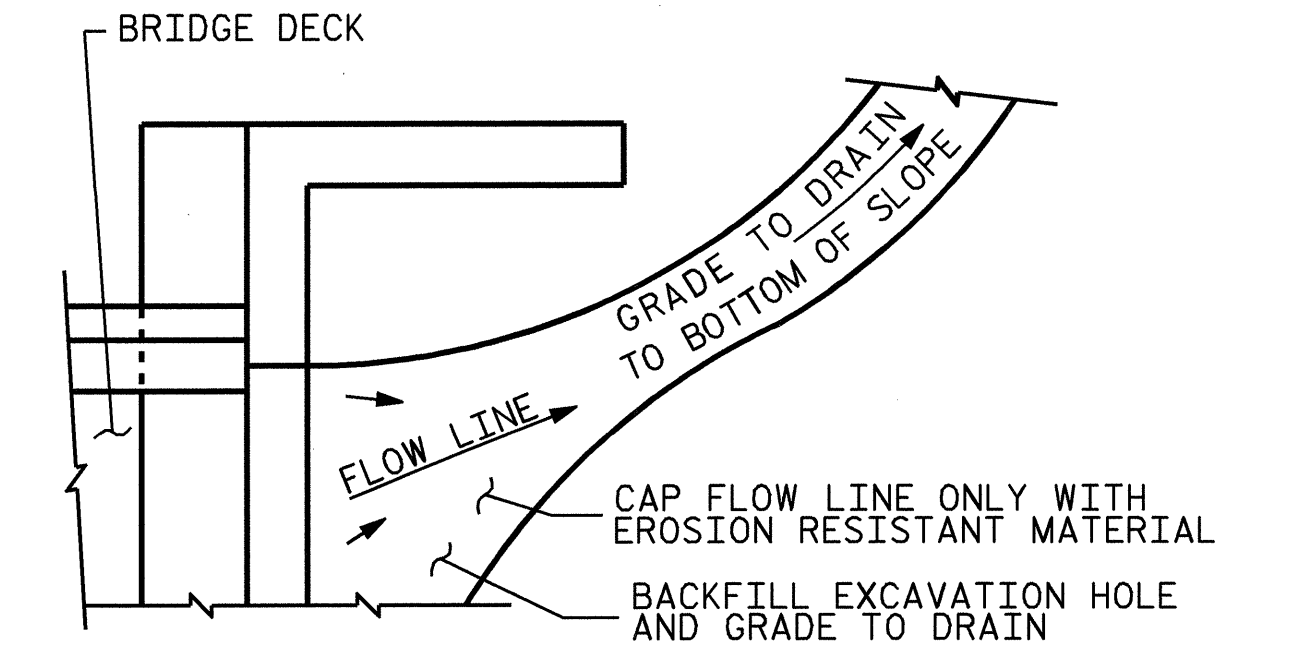


TEMPORARY BERM AND SLOPE DRAIN DETAILS

(TO BE USED WHEN SHOULDER BERM GUTTER IS REQUIRED)



PLAN

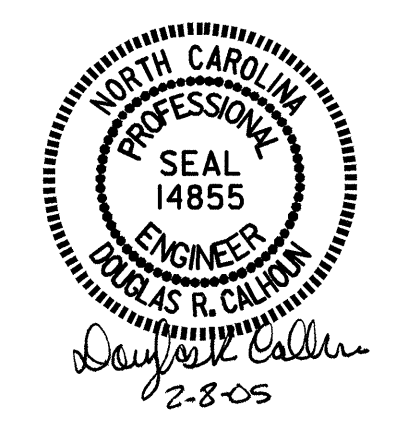


TEMPORARY DRAINAGE DETAIL

PROJECT NO. B-3450
 DURHAM COUNTY
 STATION: 14+31.00 -L-

SHEET 2 OF 2

STATE OF NORTH CAROLINA DEPARTMENT OF TRANSPORTATION RALEIGH					
STANDARD BRIDGE APPROACH SLAB DETAILS					
1988					
REVISIONS					
NO.	BY:	DATE:	NO.	BY:	DATE:
1			3		
2			4		
					TOTAL SHEETS 53



ASSEMBLED BY : A.L.MEADOWS DATE : 9/09/02
 CHECKED BY : T.A.HARRIS DATE : 10/3/02
 DRAWN BY : FCJ 11/88 MAB/LES
 CHECKED BY : ARB 11/88 REV. 10/17/00 RWW/LES
 REV. 8/16/99 REV. 5/7/03 RWW/JTE