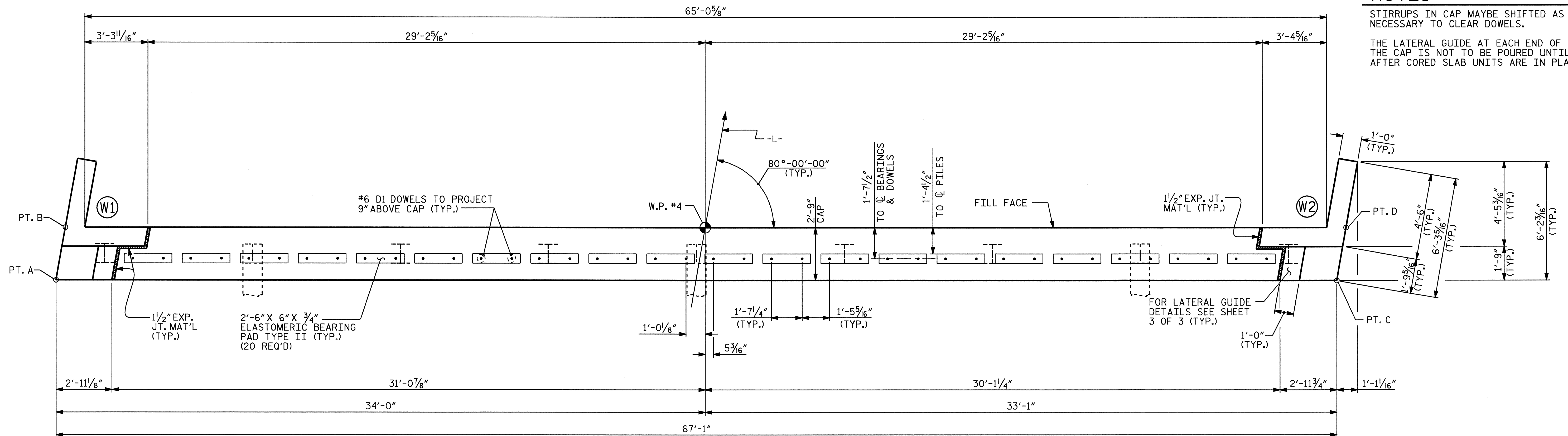
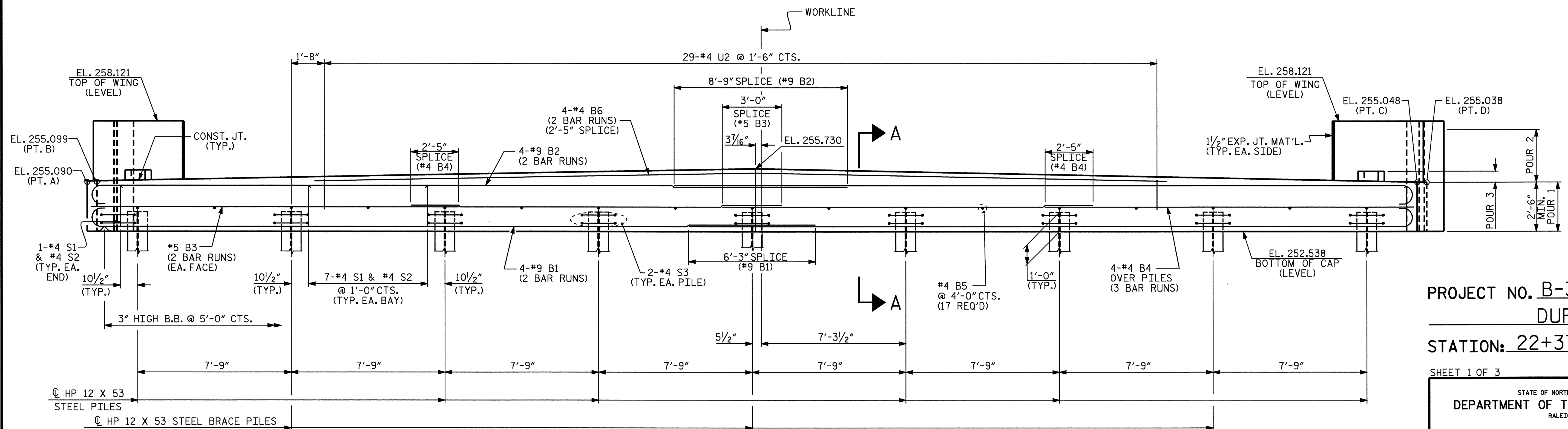


**NOTES**

STIRRUPS IN CAP MAYBE SHIFTED AS NECESSARY TO CLEAR DOWELS.  
 THE LATERAL GUIDE AT EACH END OF THE CAP IS NOT TO BE POURED UNTIL AFTER CORED SLAB UNITS ARE IN PLACE.



**PLAN**



**ELEVATION**

PROJECT NO. **B-3450**  
 DURHAM COUNTY  
 STATION: **22+37.00 -L-**

SHEET 1 OF 3

STATE OF NORTH CAROLINA  
 DEPARTMENT OF TRANSPORTATION  
 RALEIGH

**SUBSTRUCTURE  
 END BENT 2**



DRAWN BY: A.L. MEADOWS DATE: 7/26/02  
 CHECKED BY: T.A. HARRIS DATE: 9/23/02

REVISIONS						SHEET NO.
NO.	BY:	DATE:	NO.	BY:	DATE:	S-48
1			3			TOTAL SHEETS
2			4			53