

SUGGESTED MESSAGE
CMS #1

MESSAGE NO. 1	MESSAGE NO. 2
I-240 EB TRAFFIC	USE WOODFIN STREET

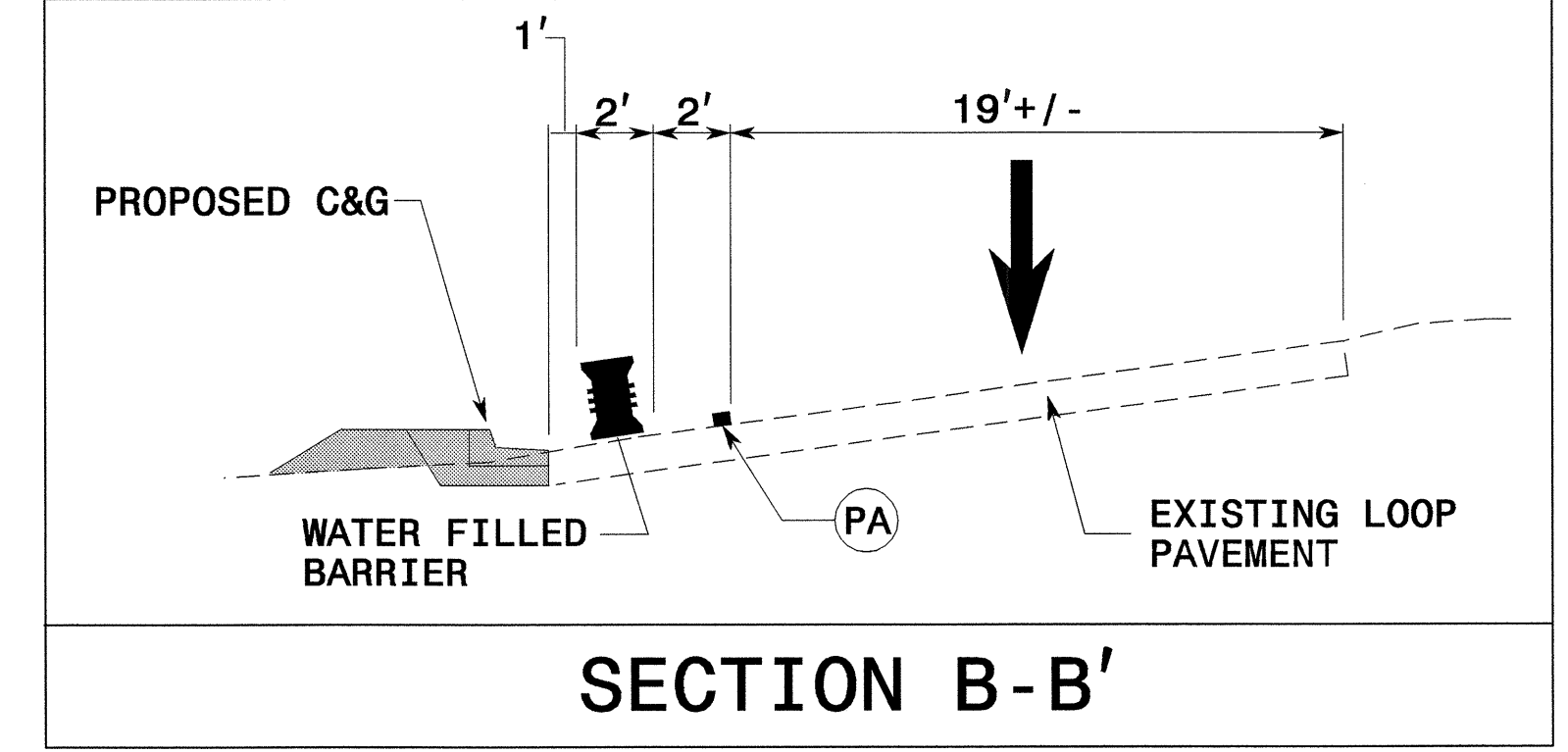
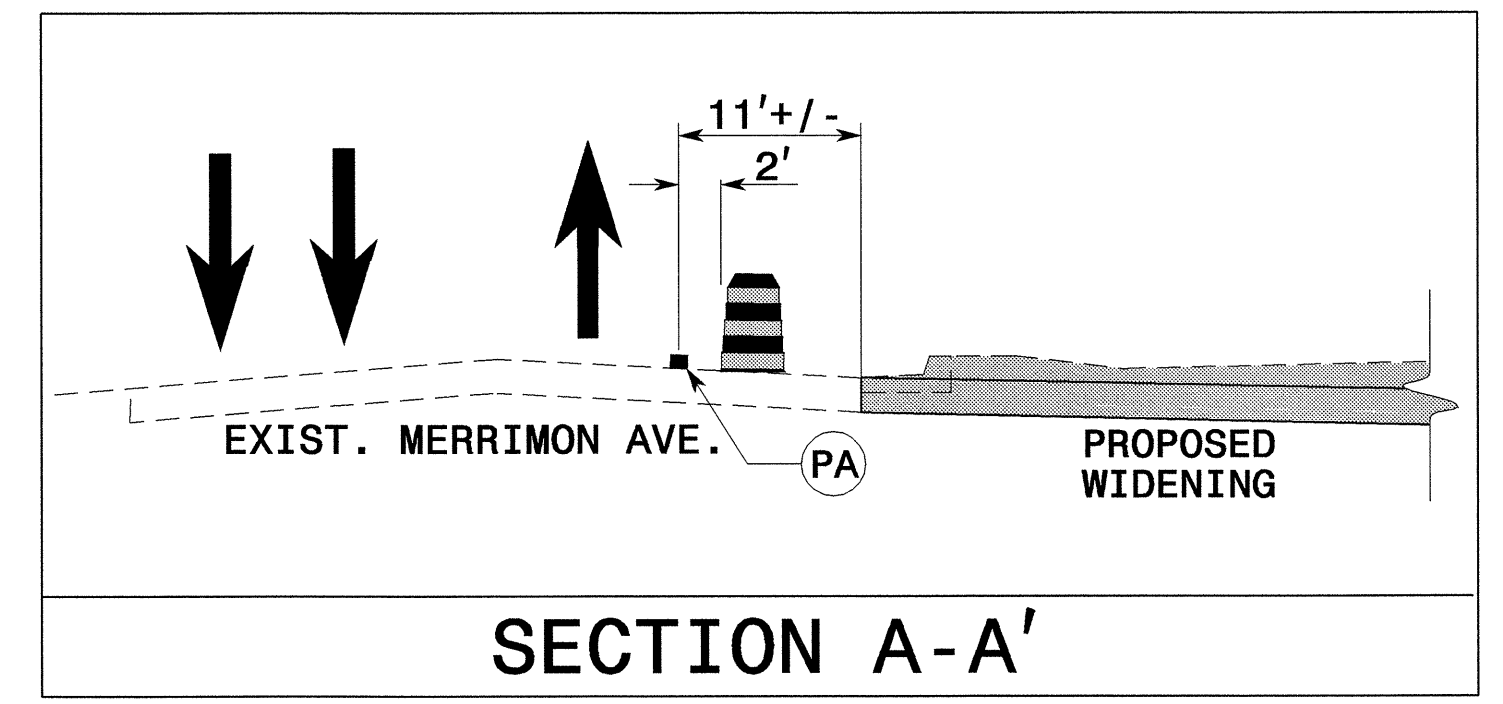
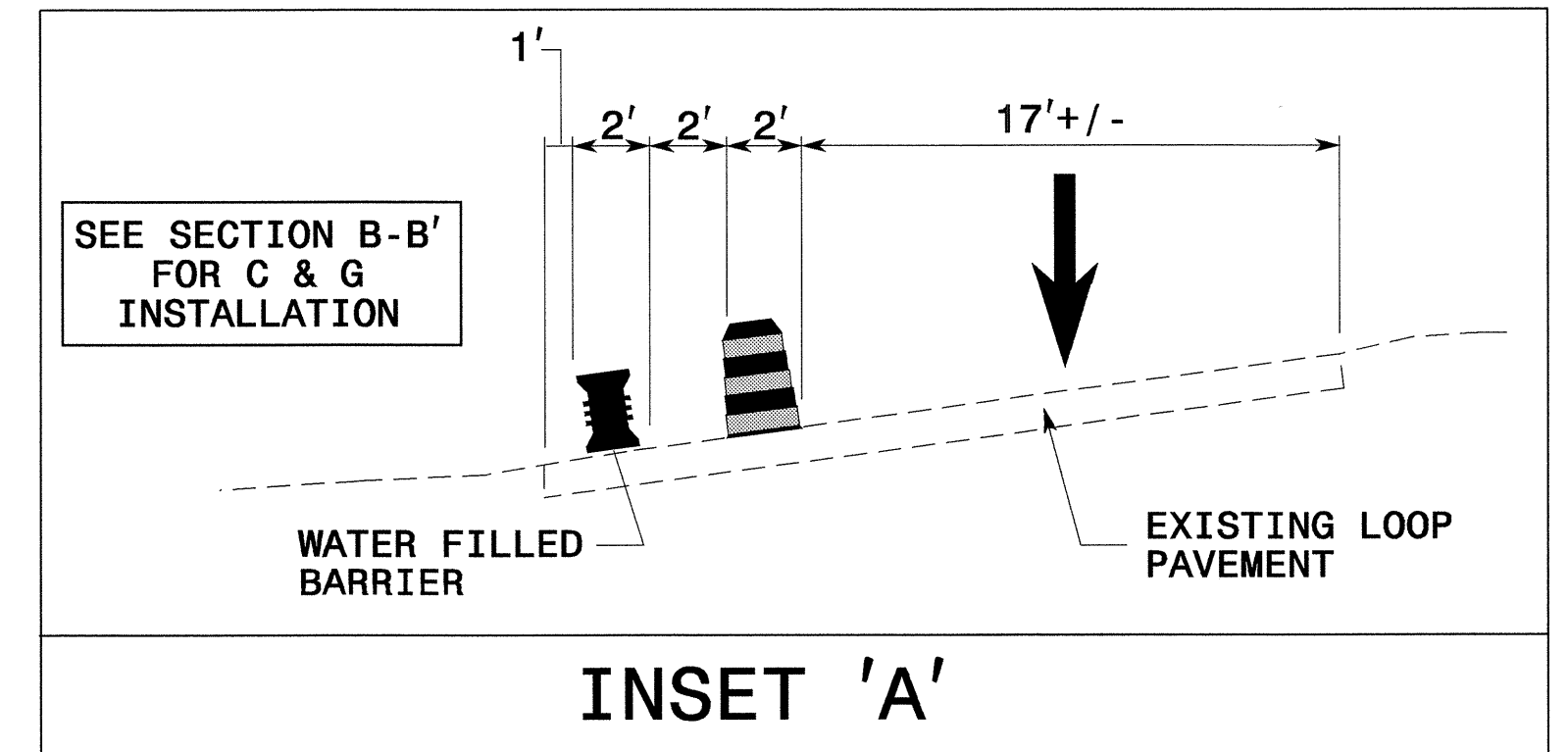
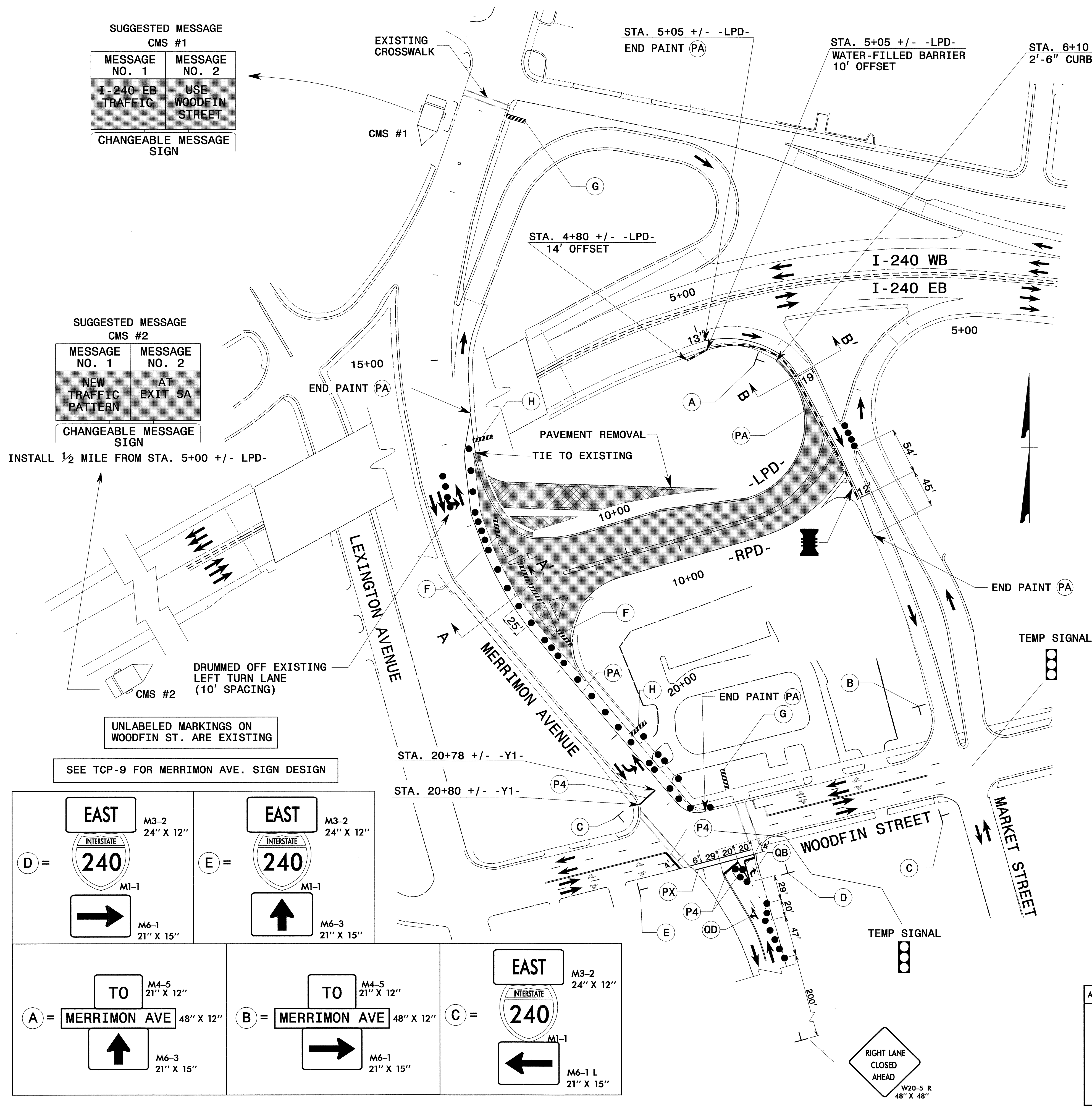
CHANGEABLE MESSAGE SIGN

SUGGESTED MESSAGE
CMS #2

MESSAGE NO. 1	MESSAGE NO. 2
NEW TRAFFIC PATTERN	AT EXIT 5A

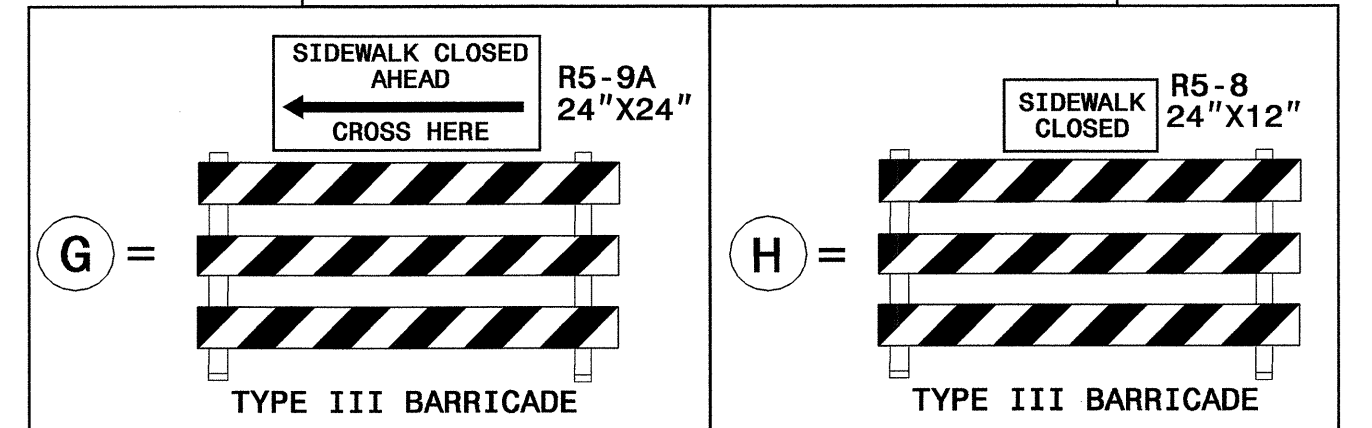
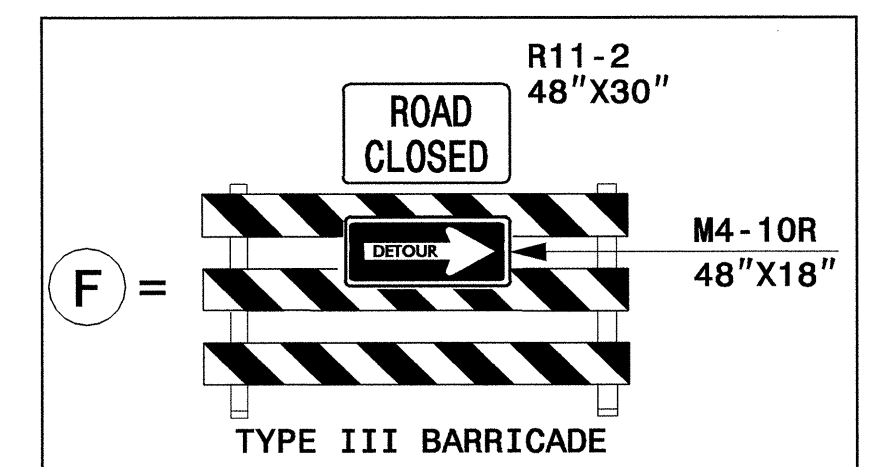
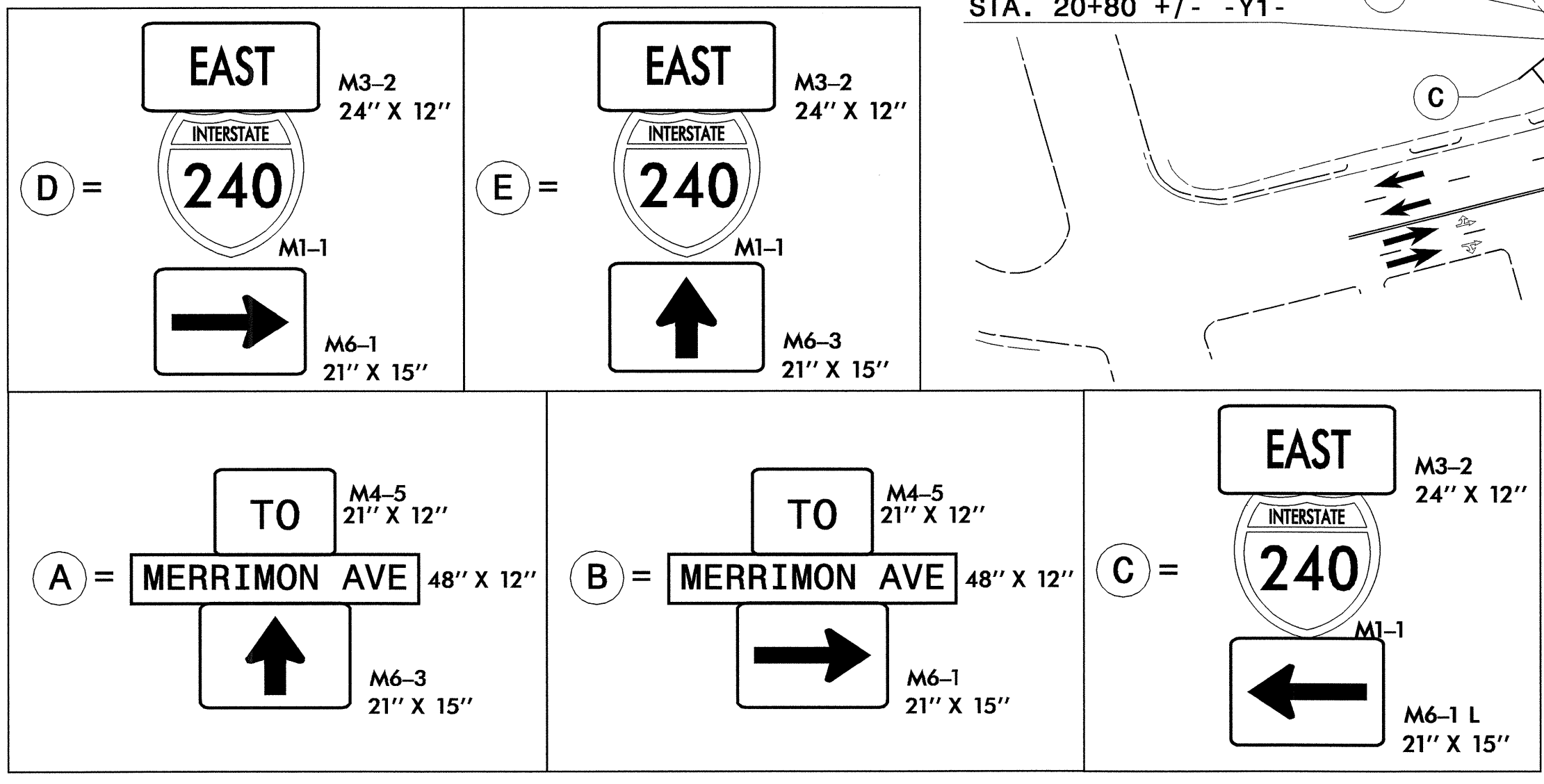
CHANGEABLE MESSAGE SIGN

INSTALL 1/2 MILE FROM STA. 5+00 +/- LPD-



UNLABELED MARKINGS ON WOODFIN ST. ARE EXISTING

SEE TCP-9 FOR MERRIMON AVE. SIGN DESIGN



APPROVED: *John S. Kite, R.* DATE: 12/21/04

SEAL

PHASE I

SCALE: NONE

DATE: _____

DWG. BY: _____

DESIGN BY: _____

REVIEWED BY: _____

REVISIONS

CARD FILE

21-DEC-2004 07:15
 \\net-s-ccf\501\j3302\TCP\REVISED TCP\5\U3302_TC_TCP05.dgn
 mstrelman AT TET2223