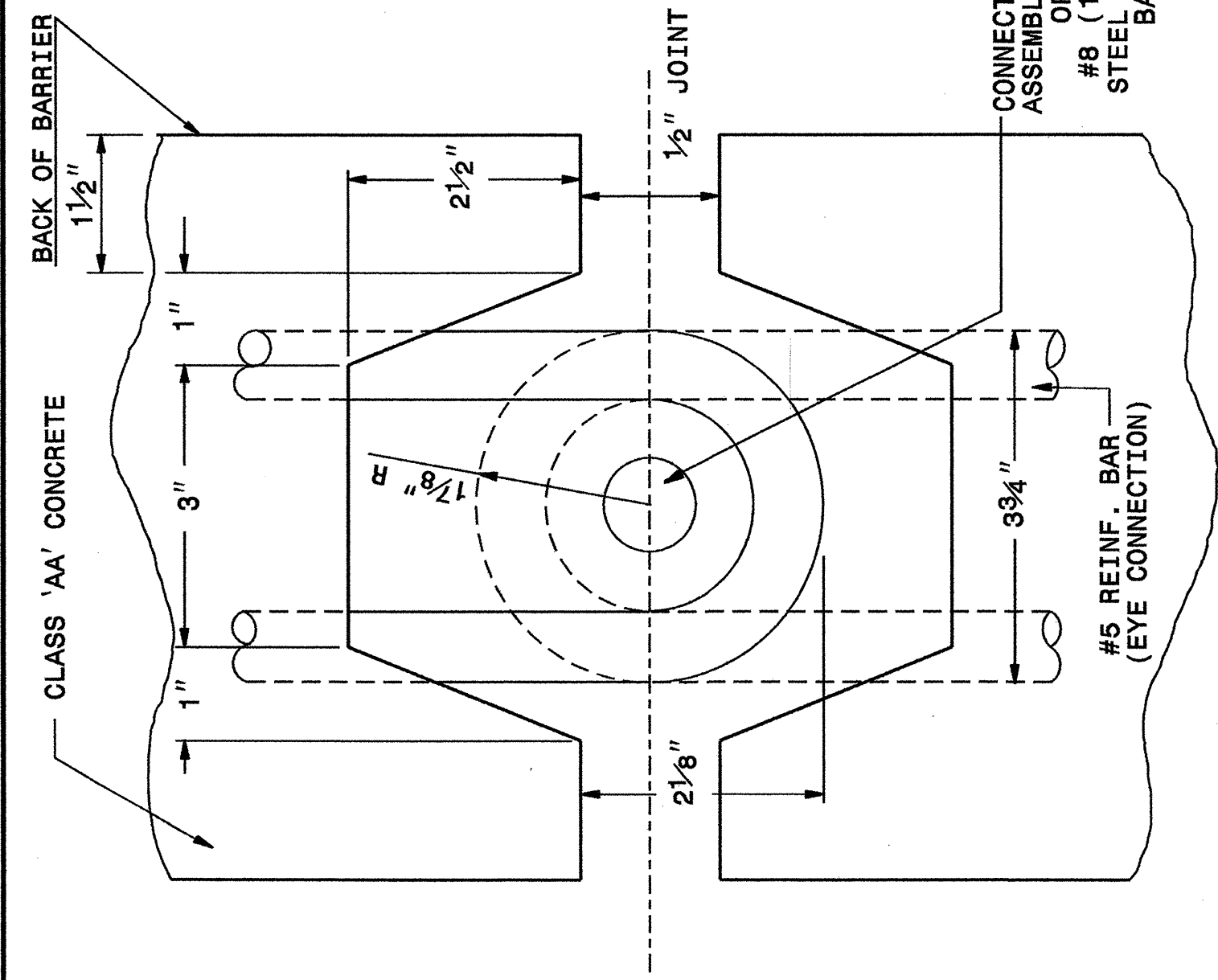


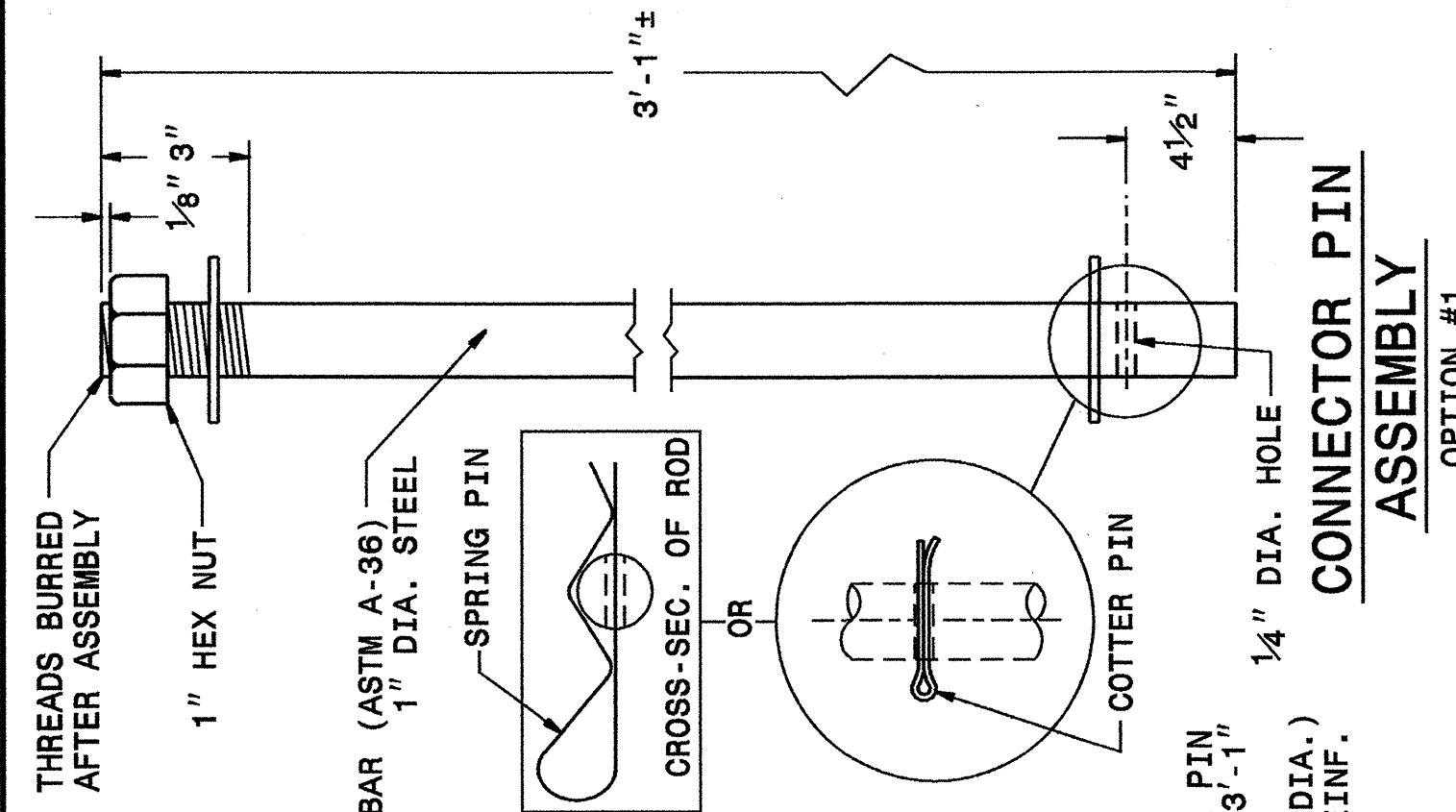
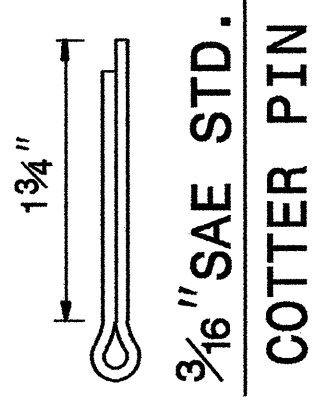
STATE OF
 NORTH CAROLINA
 DEPT. OF TRANSPORTATION
 DIVISION OF HIGHWAYS
 RALEIGH, N.C.

ENGLISH DETAIL DRAWING FOR
PRECAST REINFORCED CONCRETE BARRIER
 41" SINGLE FACED

SHEET 7 OF 8
857D01

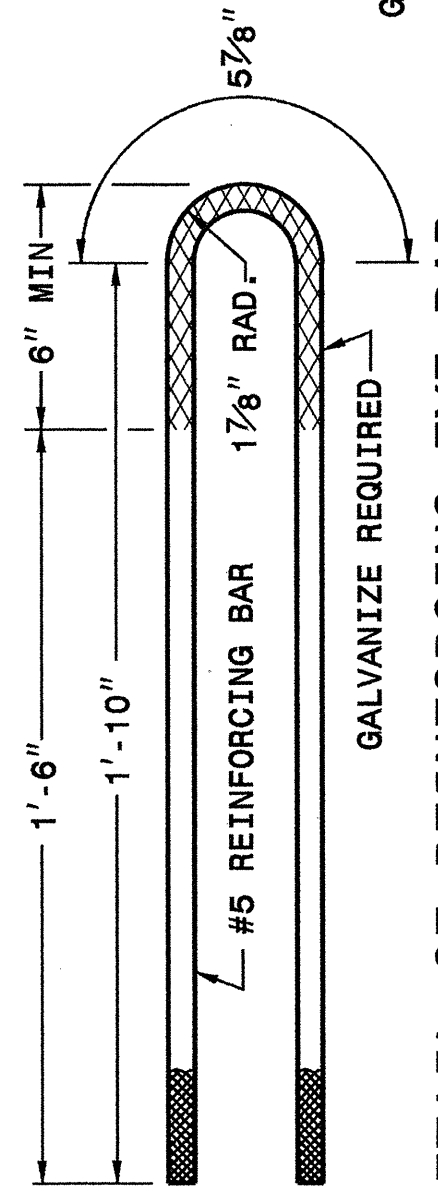


GROOVE END AND EYE CONNECTION DETAILS

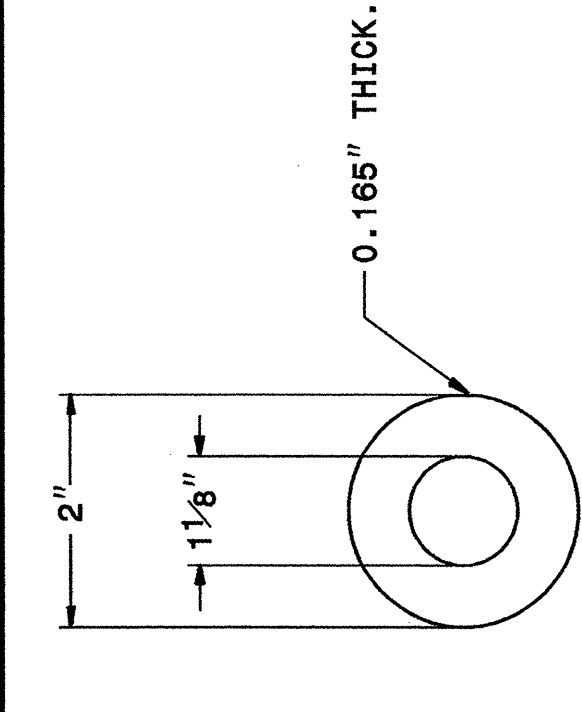


CONNECTOR PIN ASSEMBLY

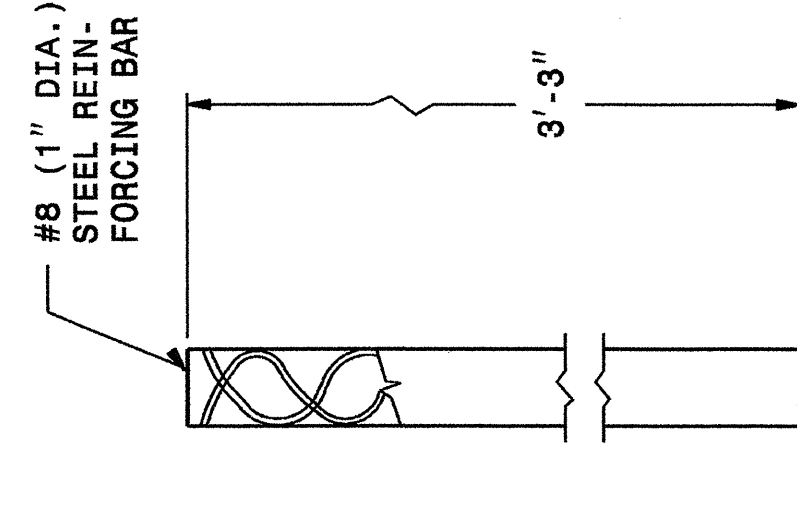
OPTION #1
 GALVANIZE ALL PARTS IN ACCORDANCE WITH ASTM A-153 SPEC.



DETAIL OF REINFORCING EYE BAR



PLAIN GALVANIZED STEEL WASHER FOR 1" PIN



#8 REINFORCING STEEL BAR CONNECTOR PIN

OPTION #2 - REQUIRES SAME HARDWARE AS OPT. #1 GALVANIZE ALL PARTS IN ACCORDANCE WITH ASTM A-153 SPEC.

STATE OF
 NORTH CAROLINA
 DEPT. OF TRANSPORTATION
 DIVISION OF HIGHWAYS
 RALEIGH, N.C.

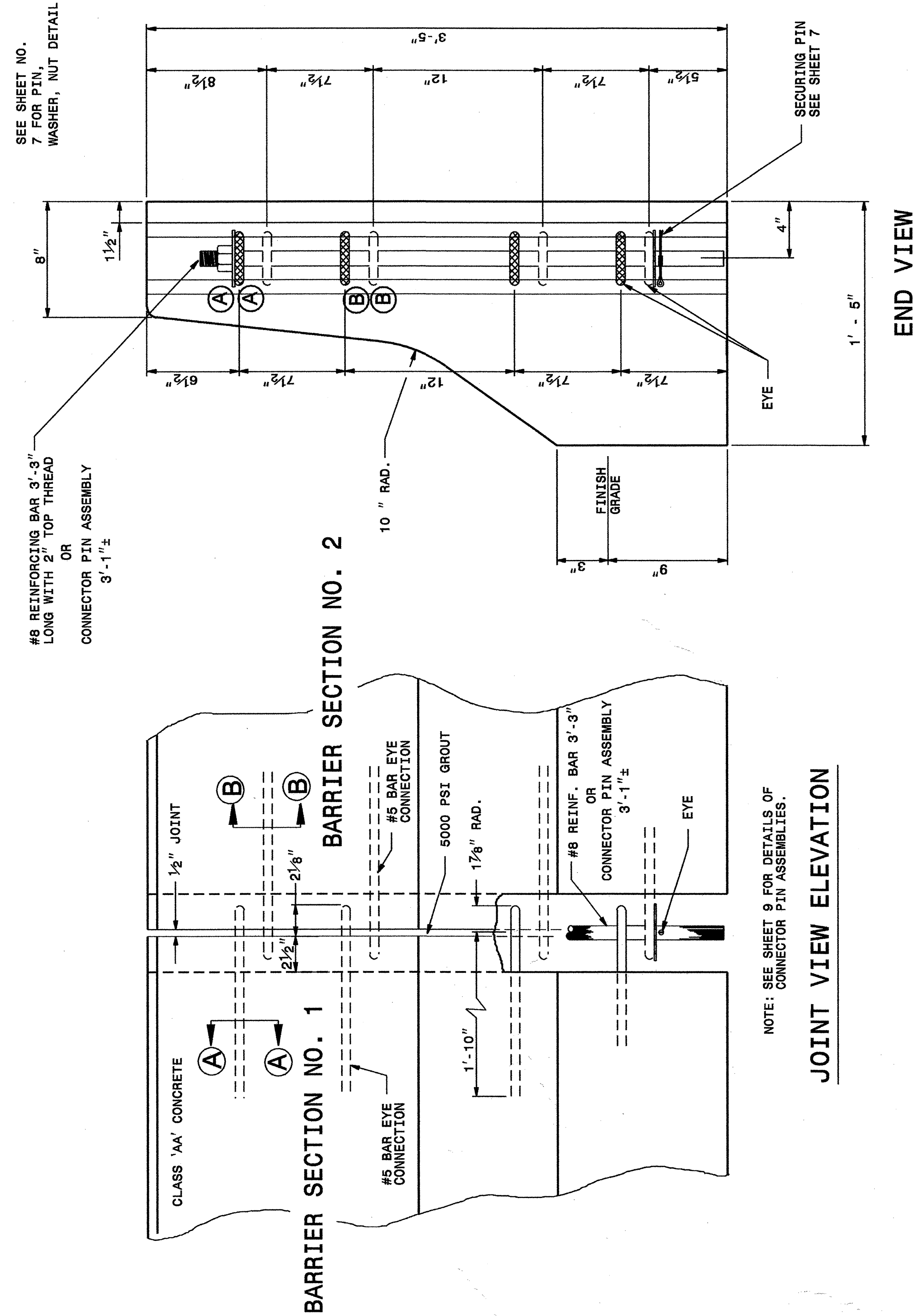
ENGLISH DETAIL DRAWING FOR
PRECAST REINFORCED CONCRETE BARRIER
 41" SINGLE FACED

SHEET 7 OF 8
857D01

STATE OF
 NORTH CAROLINA
 DEPT. OF TRANSPORTATION
 DIVISION OF HIGHWAYS
 RALEIGH, N.C.

ENGLISH DETAIL DRAWING FOR
PRECAST REINFORCED CONCRETE BARRIER
 41" SINGLE FACED

SHEET 8 OF 8
857D01



NOTE: SEE SHEET 9 FOR DETAILS OF CONNECTOR PIN ASSEMBLIES.

JOINT VIEW ELEVATION

STATE OF
 NORTH CAROLINA
 DEPT. OF TRANSPORTATION
 DIVISION OF HIGHWAYS
 RALEIGH, N.C.

ENGLISH DETAIL DRAWING FOR
PRECAST REINFORCED CONCRETE BARRIER
 41" SINGLE FACED

SHEET 8 OF 8
857D01

DESIGN SERVICES UNIT
 STANDARDS AND SPECIAL DESIGN
 Office 919-250-4128 FAX 919-250-4119

SEE PLATE FOR TITLE

ORIGINAL BY: 2002 STD.857.01 DATE:
 MODIFIED BY: E.E. WARD DATE: 5-23-02
 CHECKED BY: J. E. [Signature] DATE:
 FILE SPEC.: /usr/stds/02stds/detail/english/85701/857d01.dgn

