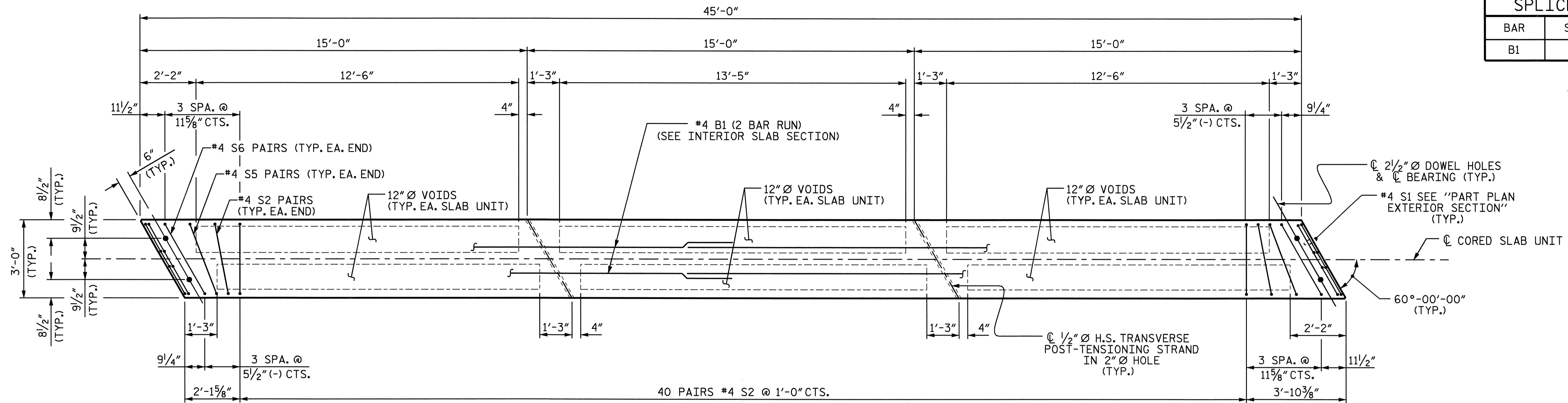
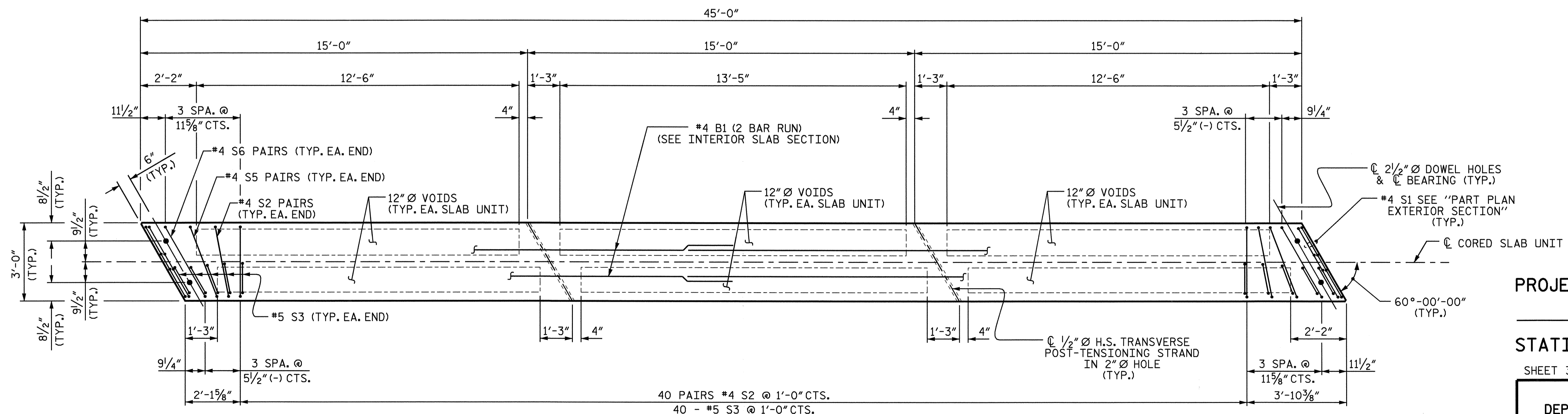


SPLICE LENGTH CHART		
BAR	SIZE	SPLICE LENGTH
B1	#4	2'-5"



PLAN OF INTERIOR SLAB



PLAN OF EXTERIOR SLAB

PROJECT NO. B-3808  
AVERY COUNTY  
 STATION: 17+13.50 -L-

SHEET 3 OF 4

STATE OF NORTH CAROLINA  
 DEPARTMENT OF TRANSPORTATION  
 RALEIGH

3'-0" X 1'-9"  
 PRESTRESSED CONCRETE  
 CORED SLAB UNIT  
 DETAILS



REVISIONS						SHEET NO.	
NO.	BY:	DATE:	NO.	BY:	DATE:	S-6	
1			3			TOTAL SHEETS	
2			4			17	

24 DEC-2004 10:15 241163808\dwg\slab\B3808.edt.CS\_01.dgn

DRAWN BY: J.L. WALTON DATE: 11/10/03  
 CHECKED BY: B.N. BARODAWALA DATE: 4/5/04