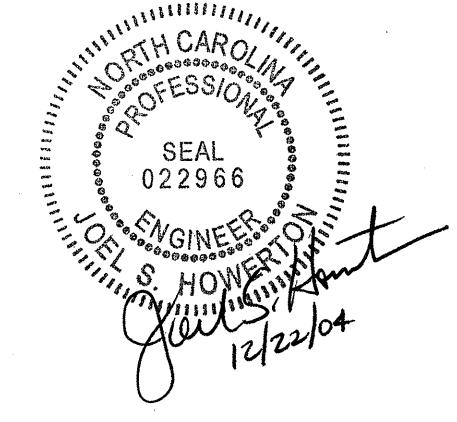
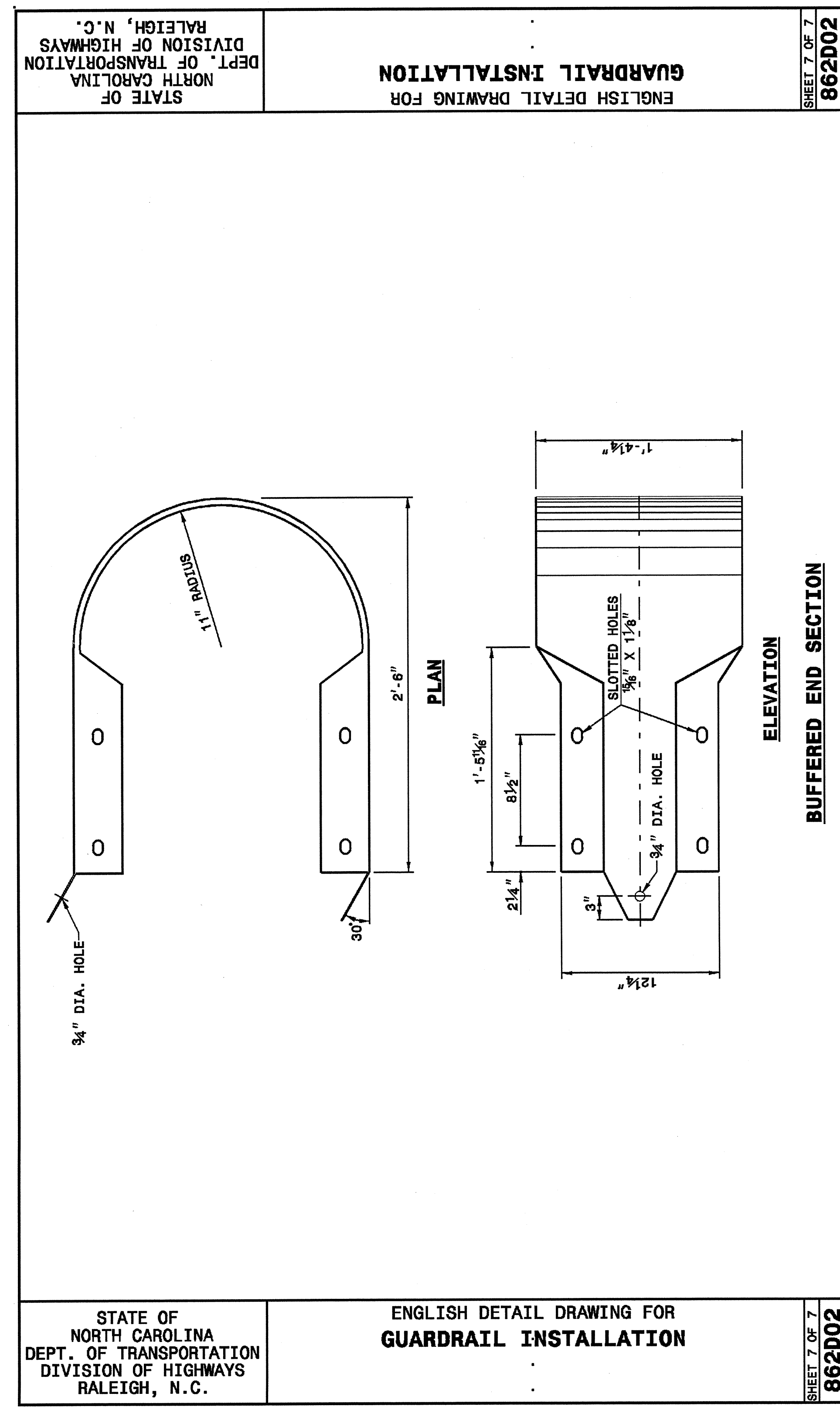


5/14/99

I:\MAY-2003\4432\ericard\stds\02\stds to Special Details\english\86202\0862d02.dgn
 ericard 05/18/99



**DESIGN SERVICES UNIT
 STANDARDS AND SPECIAL DESIGN**
 Office 919-250-4128 FAX 919-250-4119

SEE PLATE FOR TITLE

ORIGINAL BY: 2002 STD. 862.02 DATE: _____
 MODIFIED BY: E.E. WARD DATE: 02-09-03
 CHECKED BY: _____ DATE: _____
 FILE SPEC.: /usr/stds/02todetail/english/86202/862d02.dgn