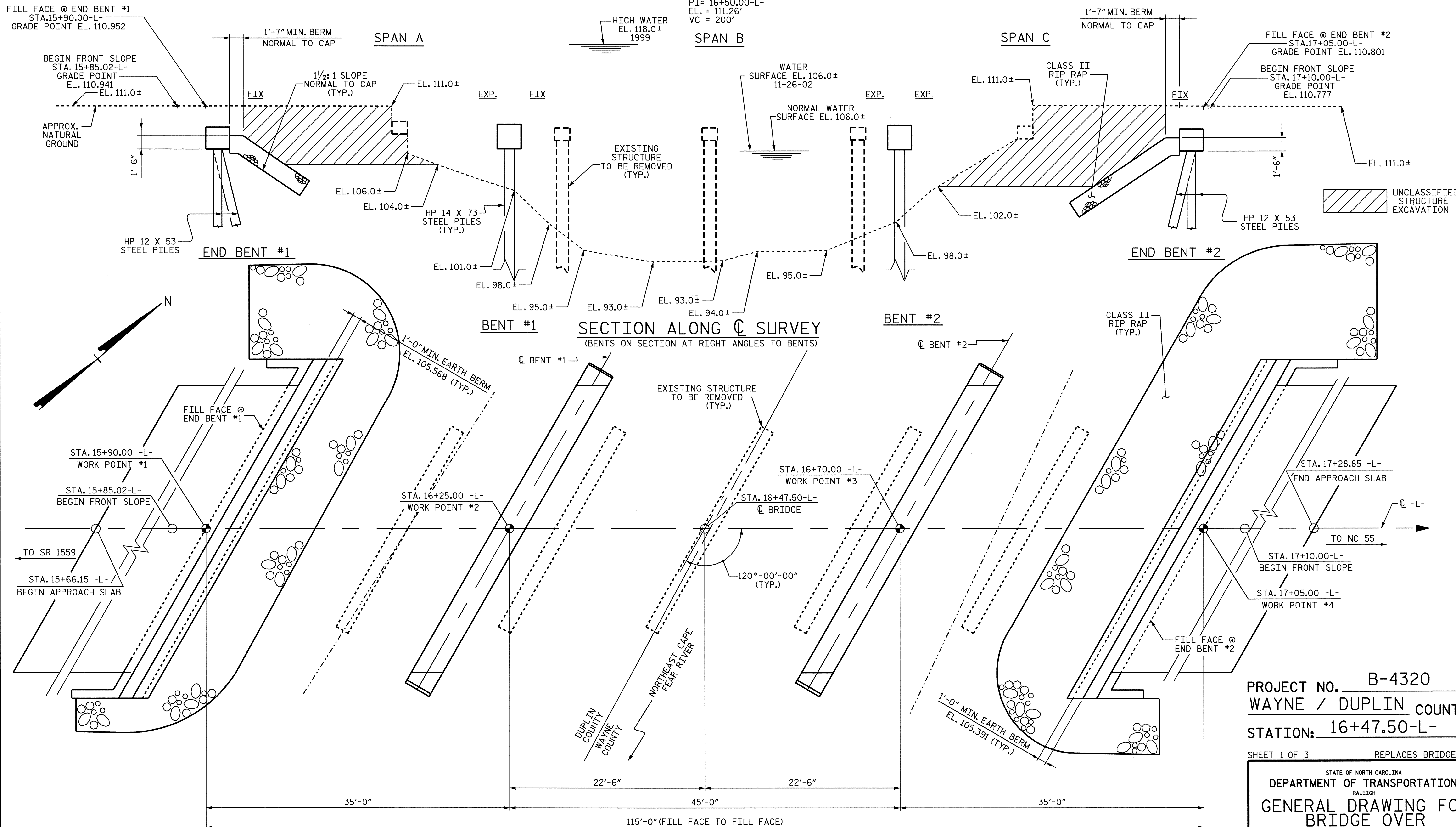


GRADE DATA
 (+)0.4360% (-)0.7278%

PI = 16+50.00-L-
 EL. = 111.26'
 VC = 200'



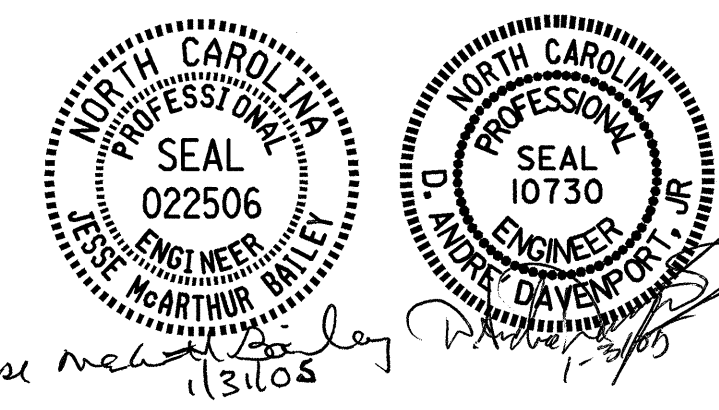
SECTION ALONG C SURVEY
 (BENTS ON SECTION AT RIGHT ANGLES TO BENTS)

PLAN
 (PILES NOT SHOWN FOR CLAIRTY)

PROJECT NO. B-4320
 WAYNE / DUPLIN COUNTY
 STATION: 16+47.50-L-
 SHEET 1 OF 3 REPLACES BRIDGE #24

STATE OF NORTH CAROLINA
 DEPARTMENT OF TRANSPORTATION
 RALEIGH
**GENERAL DRAWING FOR
 BRIDGE OVER
 NORTHEAST CAPE
 FEAR RIVER ON NC 403
 BETWEEN SR1559
 AND NC 55**

DRAWN BY : H. T. BARBOUR DATE : 7-15-04
 CHECKED BY : D. A. DAVENPORT DATE : 7-04



REVISIONS						SHEET NO.
NO.	BY:	DATE:	NO.	BY:	DATE:	S-1
1			3			TOTAL SHEETS
2			4			22